



Electronic Service Manuals

This electronic document is provided as a service to our customers. We do not create the contents of the information contained in this document. Should you have detailed questions pertaining to the information contained in this document, you may contact Michco, or the manufacturer which provided the original information in this electronic deliverable. Michco's only part in this electronic deliverable was the electronic assembly process.

You may contact Michco through the following methods:
Phone (517) 484-9312 or (800) 331-3339 MI, OH, IN only
2011 N. High St. -- Lansing, Michigan -- 48906
Fax: (517) 484-9836
Email: CustServ@Michco.com
Web site: www.Michco.Com
Parts Web site: www.FloorMachineParts.Com

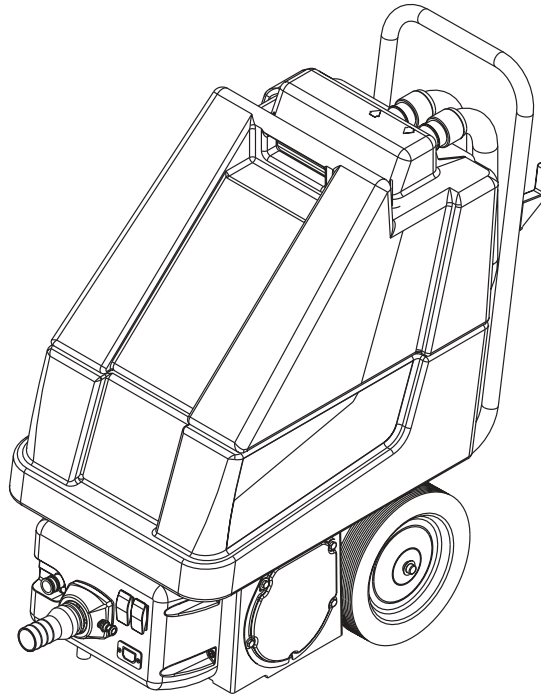
Order Parts on Line at:
www.FloorMachineParts.Com

Directly to Parts & Service:
By Email: **Shop@Michco.com**
By Fax: (517) 702-2041
By Voice: Use numbers above.

Serving the Cleaning Industry Since 1922

Notice: All copyrighted material remains property of original owners, all trademarks are property of respective owners. Manuals are subject to Manufacturer's reproduction limitations. Originals or reproductions were provided by manufacturers through a request. We make no warranty as to the correctness of information provided in this document and you assume all risk.

AquaTron™ 4 / 8 / 11



PARTS LIST

**Advance MODELS 56250191, 56250192, 56250193,
56250205, 56250207**

This parts list is for machines after serial number 1090674



Advance

by Nilfisk-Advance

10/95 revised 10/02 Form Number 56042303

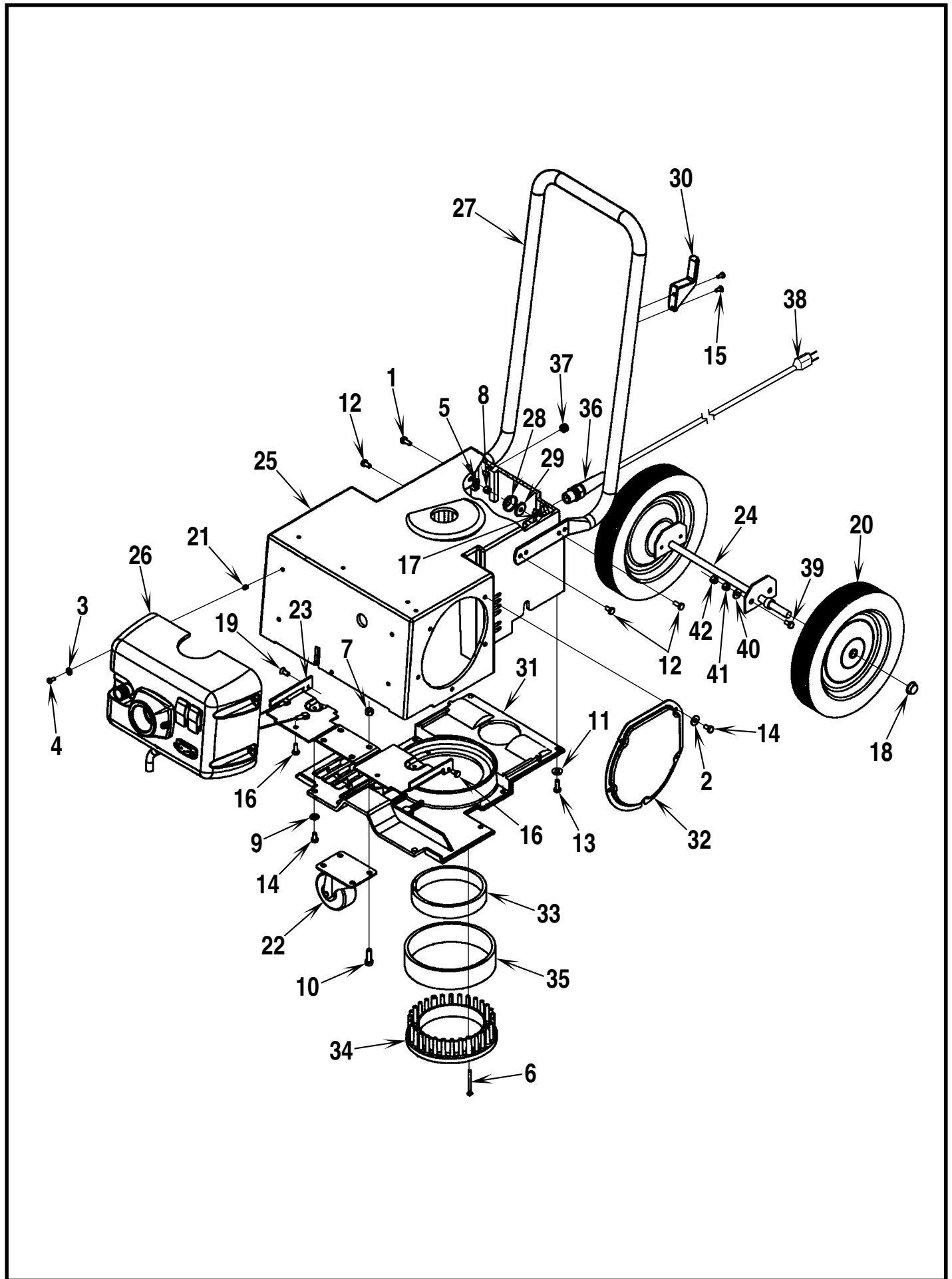
TABLE OF CONTENTS

<u>DESCRIPTION</u>	<u>PAGE</u>
Chassis System	1-2
Console Assembly	3-4
Solution System	5-6
Recovery System	7-8
Decal System	9-10
Wiring Diagrams	11-12

WHEN ORDERING PARTS

- * Use the 8 digit numbers from the "Ref. No." columns in this parts list.
- * Specify the model and serial number of the machine.
- * Use the space below to record the model and serial number for future reference.

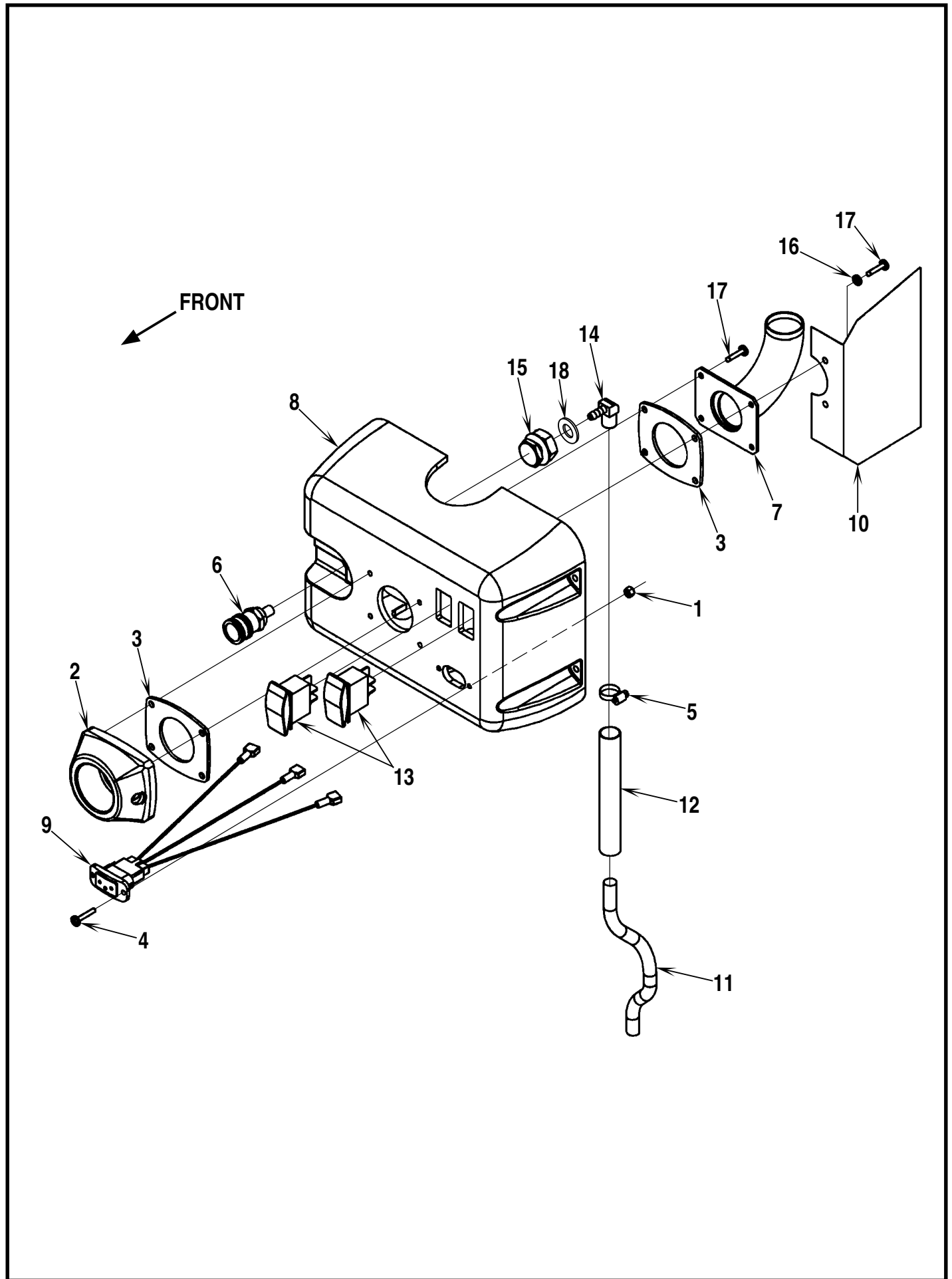
Model _____ Serial No. _____



CHASSIS SYSTEM

Item	Ref. No.	Qty	Description
1	56002155	1	Scr, Hex Hd 1/4-20 x .75
2	56001906	4	Wsh, Flt STD 1/4
3	56001954	5	Wsh, Flt SAE #10
4	56001993	5	Scr, Pan Phil 10-24 x .50
5	56002098	1	Wsh, Flt SAE 1/4
6	56002171	2	Scr, Pan Phil 10-24 x 2.00
7	56002701	4	Nut, Hex Nyl Loc 5/16-18
8	56002840	1	Nut, Hex Nyl Loc-Thin 1/4-20
9	56002859	2	Wsh, Flt SAE SS 1/4
10	56002667	4	Scr, Hex Hd 5/16-18 x .75
11	56002914	6	Wsh, Flt STD SS 1/4
12	56003039	3	Scr, Hex Hd Loc 1/4-20 x .50
13	56002948	6	Scr, Hex Hd Loc 1/4-20 x .75
14	56003039	6	Scr, Hex Hd Loc 1/4-20 x .50
15	56009029	2	Scr, Pan Phil Thd Form 10-24 x .50
16	56009033	3	Scr, Hex Thd Form 1/4-20 x .50
17	56009095	1	Nut, Conduit Loc 1/2-14
18	56009097	2	Nut, Push Cap 1/2
19	56009137	1	Scr, Flt Phil Thd Form 1/4-20 x .62
20	56201774	2	Wheel
21	56249946	5	Insert, Brass 10-24
22	56250143	1	Caster
23	56250144	1	Mount, Caster
24	56250145	1	Axle, Weld't
25	56250148	1	Chassis
26	56250163	1	Console Assembly (refer to pages 3 & 4)
27	56250171	1	Handle
28	56250211	1	Cap
29	56250267	1	Washer
30	56262518	1	Hook, Cord
31	56264002	1	Cover, Bottom
32	56264072	1	Guard, Belt
33	56264327	1	Foam, Acoustical
34	56264328	1	Cap
35	56264329	1	Filter, Cooling Air
36	56323136	1	Strain Relief
37	56323560	1	Plug, Cap
38	56262563	1	Power Cord (120V)
	56250203	1	Power Cord (100V)
39	56001900	1	Scr, Flt Phil 10-24 x .75
40	56009011	1	Wsh, SHPRF #10
41	56009009	1	Nut, Hex Machine #10-24
42	56002832	1	Nut, Hex Nyl Loc-Thin #10-24
**	56250185	A/R	PowerHead™ 12 W/Adapter Kit

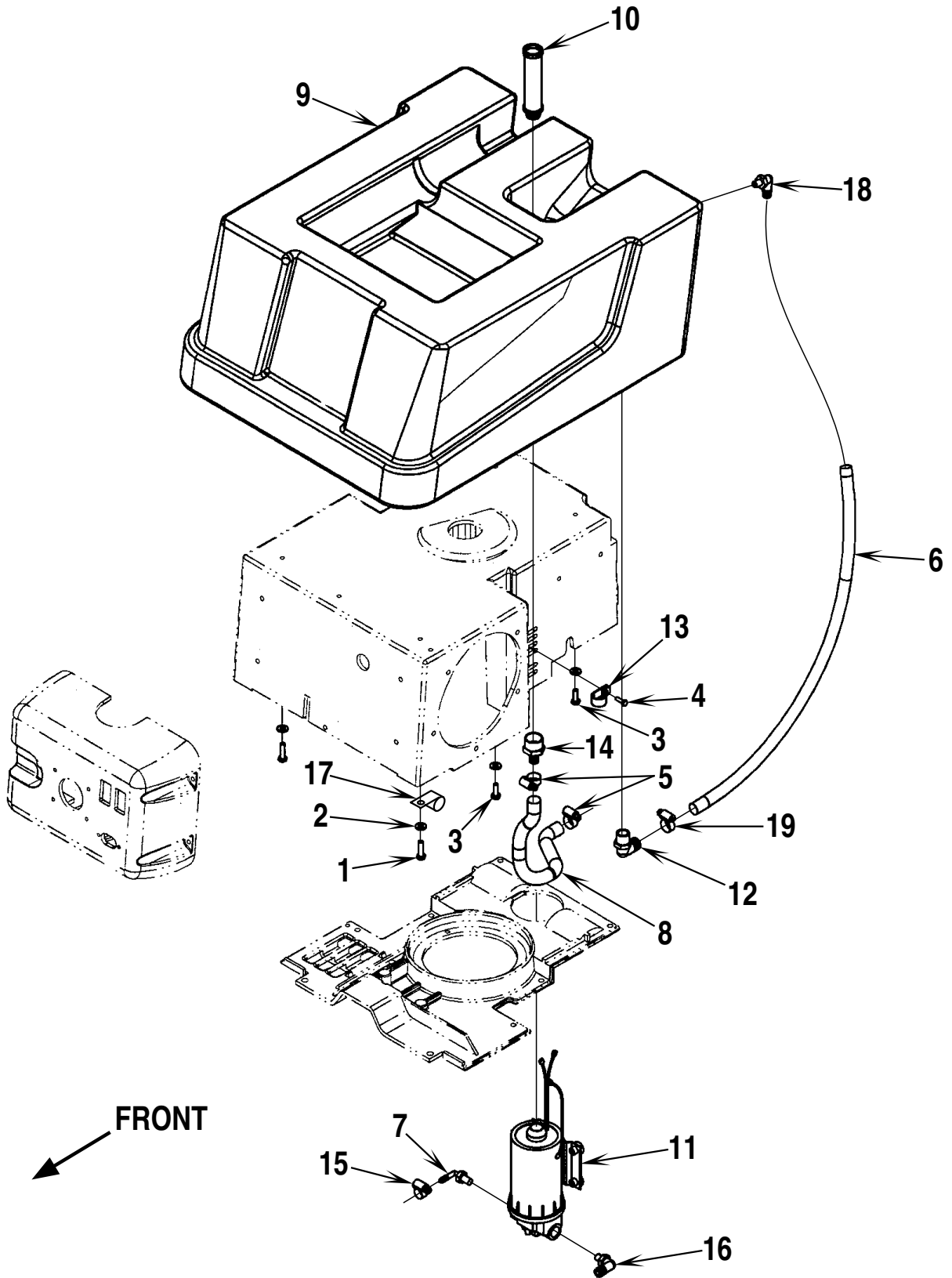
** = Optional



CONSOLE ASSEMBLY

Item	Ref. No.	Qty	Description
1	56009148	2	Nut, Hex Machine 8-32
2	56201377	1	Connector
*	56365548	1	Lock Assy (used with item #2)
3	56201390	2	Gasket
4	56209828	2	Scr, Pan Hd Plastic Machine 8-32 x 1.00
5	56219932	1	Hose Clamp
6	56249568	1	Coupling
7	56250157	1	Tube Weld't
8	56250169	1	Console
9	56250199	1	Receptacle Assembly
10	56250209	1	Mylar Insulator
11	56250213	1	Hose
12	56324338	1	Tubing, Insulator
13	56393312	2	Switch, Rocker
14	56470138	1	Barb, Elbow 90°
15	56745543	1	Adaptor, Blk Hd 1/4
16	56001954	2	Wsh, Flt SAE #10
17	56009212	4	Scr, Pan Phil Type B 10-16 x .88
18	56002141	1	Wsh, Flt SAE 3/4

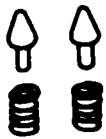
* = Not Shown



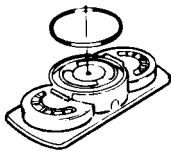
SOLUTION SYSTEM

Item	Ref. No.	Qty	Description
1	56002093	2	Scr, Hex Hd 1/4-20 x 1.00
2	56002098	4	Wsh, Flt SAE 1/4
3	56002155	2	Scr, Hex Hd 1/4-20 x .75
4	56002926	1	Scr, Hex Patch Loc 10-24 x .38
5	56219932	2	Clamp, Hose SAE #6
6	56264462	1	Hose, Solution Gauge
7	56250177	1	Barb, Elbow 90° 1/4 x 3/8 NPT
8	56261263	1	Hose
9	56264081	1	Tank, Solution 11 Gal
	56264007	1	Tank, Solution 8 Gal
	56264083	1	Tank, Solution 4 Gal
10	56264137	1	Screen
11	56264305	1	Pump Note 1
12	56456802	1	Barb, Elbow 90° 11/16 x 3/4 NPT
13	56328064	1	P-Clamp
14	56393385	1	Barb, Adaptor 1/2 x 3/4 NPT
15	56756364	1	Clamp, Hose SAE #4
16	56900069	1	Barb, Elbow 90° 1/2 x 3/8 NPT
17	56486112	1	P-Clamp
18	56264442	1	Barb, Elbow 90° 3/4 x 3/8 NPT
19	56112771	1	Clamp, Hose SAE #10

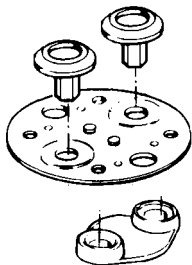
Note 1: The repair kits listed below are available for pump PN 56264305.



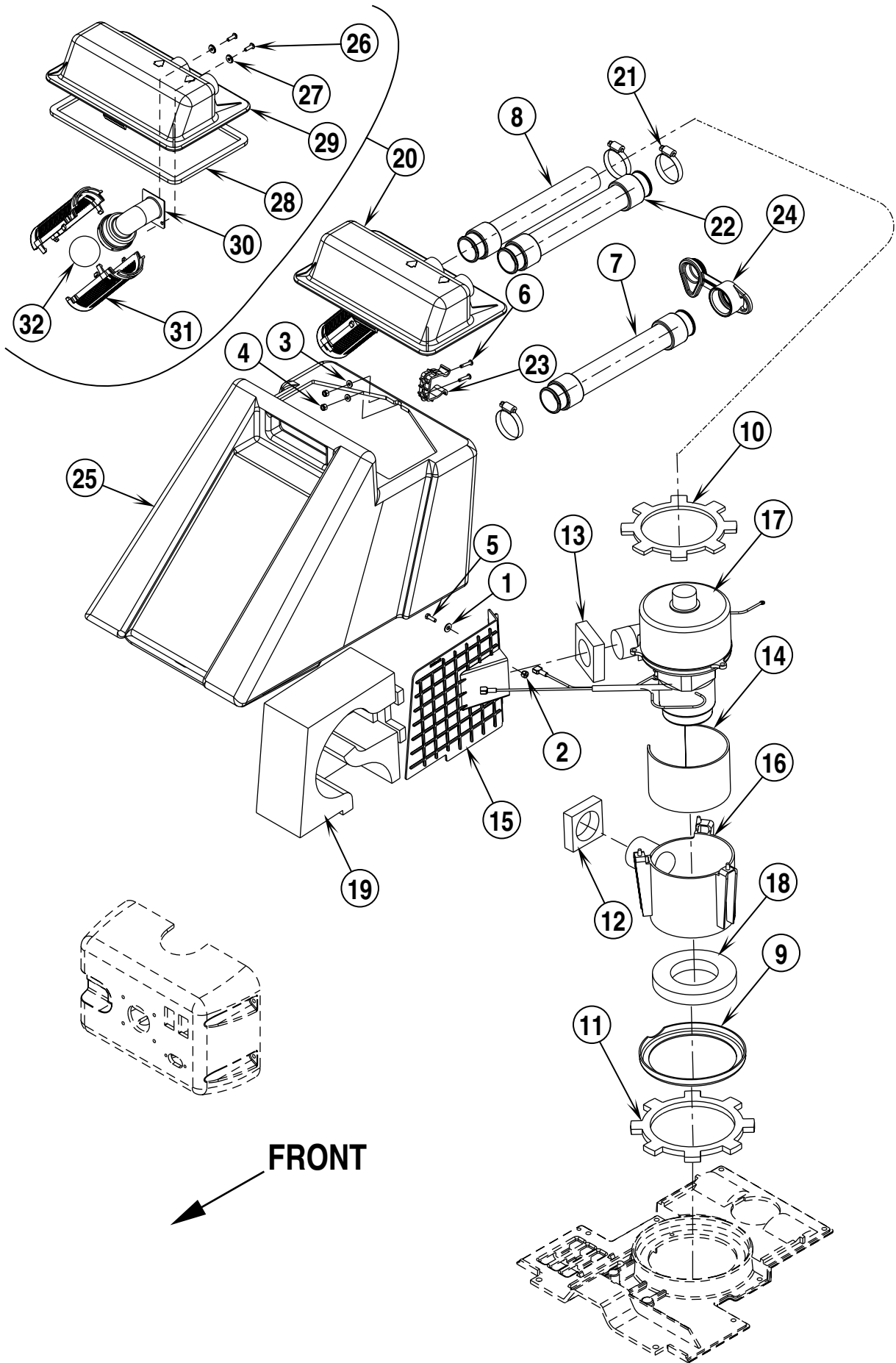
By-Pass Kit: PN 56264436



Check Valve Kit: PN 56264435



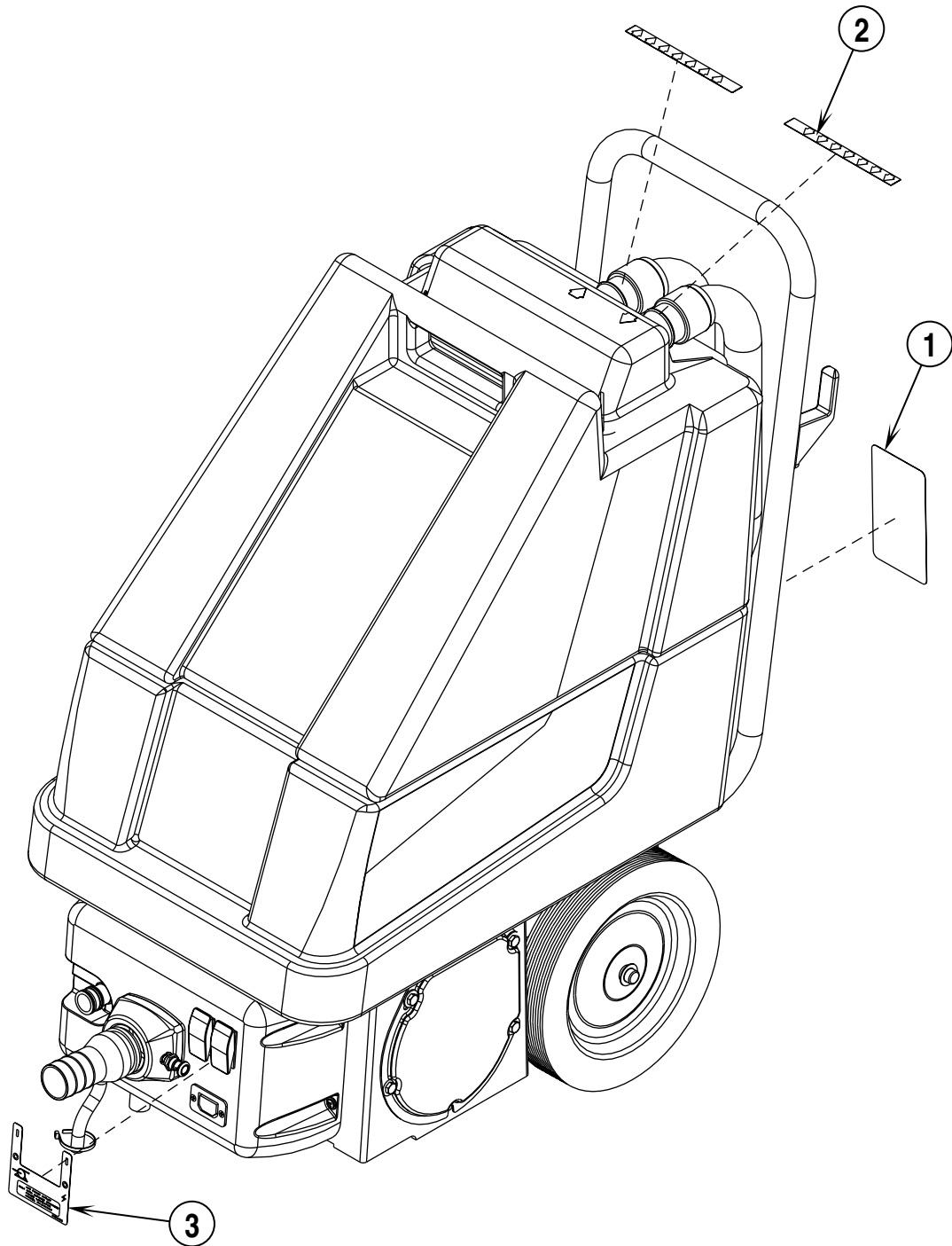
Diaphragm Kit: PN 56249834



RECOVERY SYSTEM

Item	Ref. No.	Qty	Description
1	56002053	1	Wsh, Flt STD #10
2	56002836	1	Nut, Hex Nyl Loc SS 10-24
3	56002875	2	Wsh, Flt SAE SS #8
4	56002877	2	Nut, Hex Nyl Loc SS 8-32
5	56009135	1	Scr, Hex Thd Form 10-24 x .62
6	56009186	2	Scr, Pan Phil SS 8-32 x .88
7	56262143	1	Hose Assembly
8	56262147	1	Hose Assembly
9	56264079	1	Ring, Vac Motor
10	56264103	1	Gasket, Vacuum Motor
11	56264105	1	Gasket, Vacuum Motor
12	56264114	1	Gasket, Vac
13	56264116	1	Gasket, Vac Outlet
14	56264233	1	Foam, Acoustical
15	56264282	1	Wall, Muffler
16	56264283	1	Housing, Vacuum Motor TSBUS2002-826
17	56264285	1	Vac Motor Assembly (120V) TSBUS2002-826
	56250201	1	Vac Motor Assembly (100V) TSBUS2002-826
18	56264343	1	Ring
19	56264450	1	Muffler Assy
20	56324045	1	Cover Assembly
21	56329145	3	Clamp, Hose SAE #24
22	56392170	1	Hose Assembly
23	56392171	1	Clamp, Plastic
24	56393772	1	Plug, Hose
25	56264085	1	Tank, Recovery 11 Gal
	56249790	1	Tank, Recovery 8 Gal
	56249792	1	Tank, Recovery 4 Gal
26	56003633	2	Scr, Pan Phil SS Type B 10-16 x .50
27	56209261	2	Washer, Sealing 9/16
28	56262576	1	Gasket
29	56324046	1	Cover, Tank
30	56324298	1	Elbow, Float
31	56324497	2	Cage, Float
32	56391690	1	Ball, Float

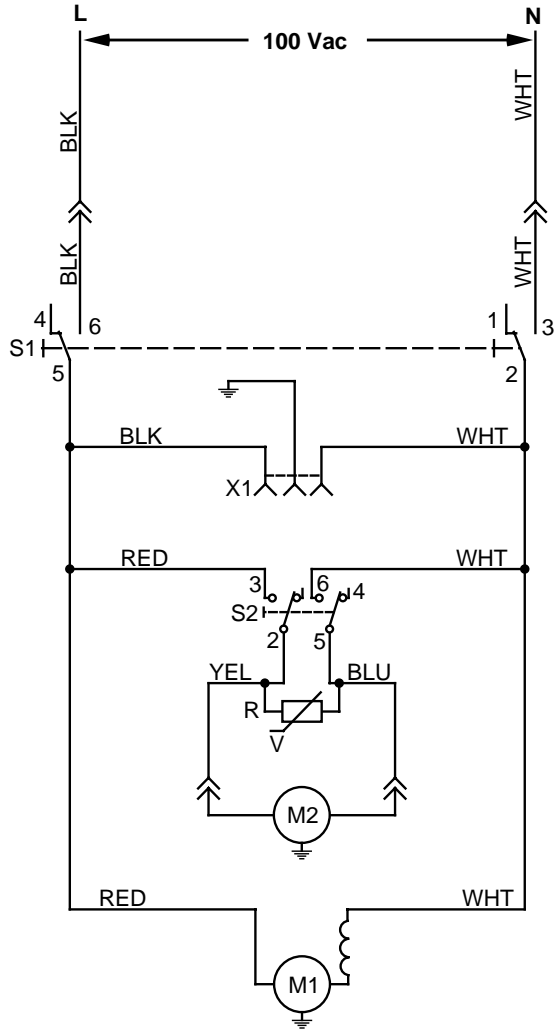
* = Not Shown



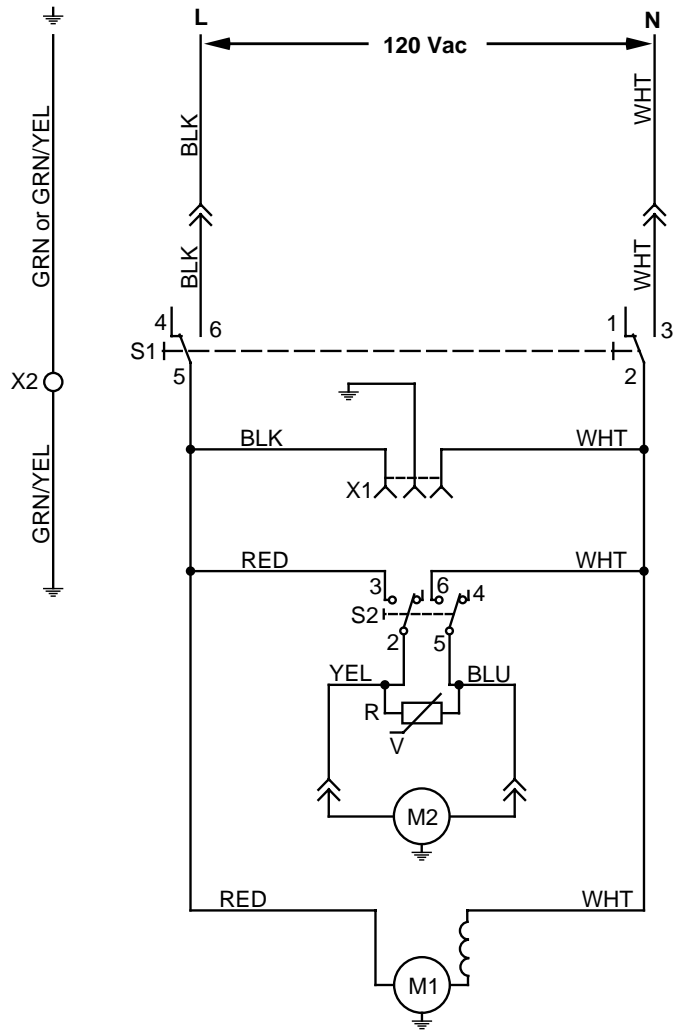
DECAL SYSTEM

Item	Ref. No.	Qty	Description
1	56014781	1	Decal, Warning
2	56015655	2	Decal, Direction
3	56015823	1	Decal, Switch (120V only)
	56015815	1	Decal, Switch (100V only)

100V Wiring Diagram



120V Wiring Diagram



WIRING DIAGRAM - 100Vac

Item	Ref. No.	Qty	Description
S1	56393312	1	Main switch
S2	56393312	1	Vacuum Switch
M1	56250201	1	Vacuum Motor TSBUS2002-826
M2	56264305	1	Pump Motor
X1	56250199	1	Receptacle
*	56250203	1	Cord Set
*	56250198	1	Wiring Harness (class 2)

* = Not Shown

WIRING DIAGRAM - 120Vac

Item	Ref. No.	Qty	Description
S1	56393312	1	Main switch
S2	56393312	1	Vacuum Switch
M1	56264285	1	Vacuum Motor TSBUS2002-826
M2	56264305	1	Pump Motor
X1	56250199	1	Receptacle
*	56262563	1	Cord Set
*	56250197	1	Wiring Harness (class 1)

* = Not Shown



Nilfisk-Advance, Inc.
14600 21st Avenue North
Plymouth, MN, 55447-3408
www.nilfisk-advance.com
Phone: 800-989-2235
Fax: 800-989-6566
©2002 Nilfisk-Advance, Inc.,
Plymouth, MN 55447-3408
Printed in the U.S.A.