



# Electronic Service Manuals

This electronic document is provided as a service to our customers. We do not create the contents of the information contained in this document. Should you have detailed questions pertaining to the information contained in this document, you may contact Michco, or the manufacturer which provided the original information in this electronic deliverable. Michco's only part in this electronic deliverable was the electronic assembly process.

You may contact Michco through the following methods:  
Phone (517) 484-9312 or (800) 331-3339 MI, OH, IN only  
2011 N. High St. -- Lansing, Michigan -- 48906  
Fax: (517) 484-9836  
Email: [CustServ@Michco.com](mailto:CustServ@Michco.com)  
Web site: [www.Michco.Com](http://www.Michco.Com)  
Parts Web site: [www.FloorMachineParts.Com](http://www.FloorMachineParts.Com)

Order Parts on Line at:  
**[www.FloorMachineParts.Com](http://www.FloorMachineParts.Com)**

Directly to Parts & Service:  
By Email: **[Shop@Michco.com](mailto:Shop@Michco.com)**  
By Fax: (517) 702-2041  
By Voice: Use numbers above.

**Serving the Cleaning Industry Since 1922**

Notice: All copyrighted material remains property of original owners, all trademarks are property of respective owners. Manuals are subject to Manufacturer's reproduction limitations. Originals or reproductions were provided by manufacturers through a request. We make no warranty as to the correctness of information provided in this document and you assume all risk.

# AquaTron™ 20 HP

---



## **PARTS LIST**

### **Advance MODELS A20 & A20A**

**All models covered in this manual are OBSOLETE**



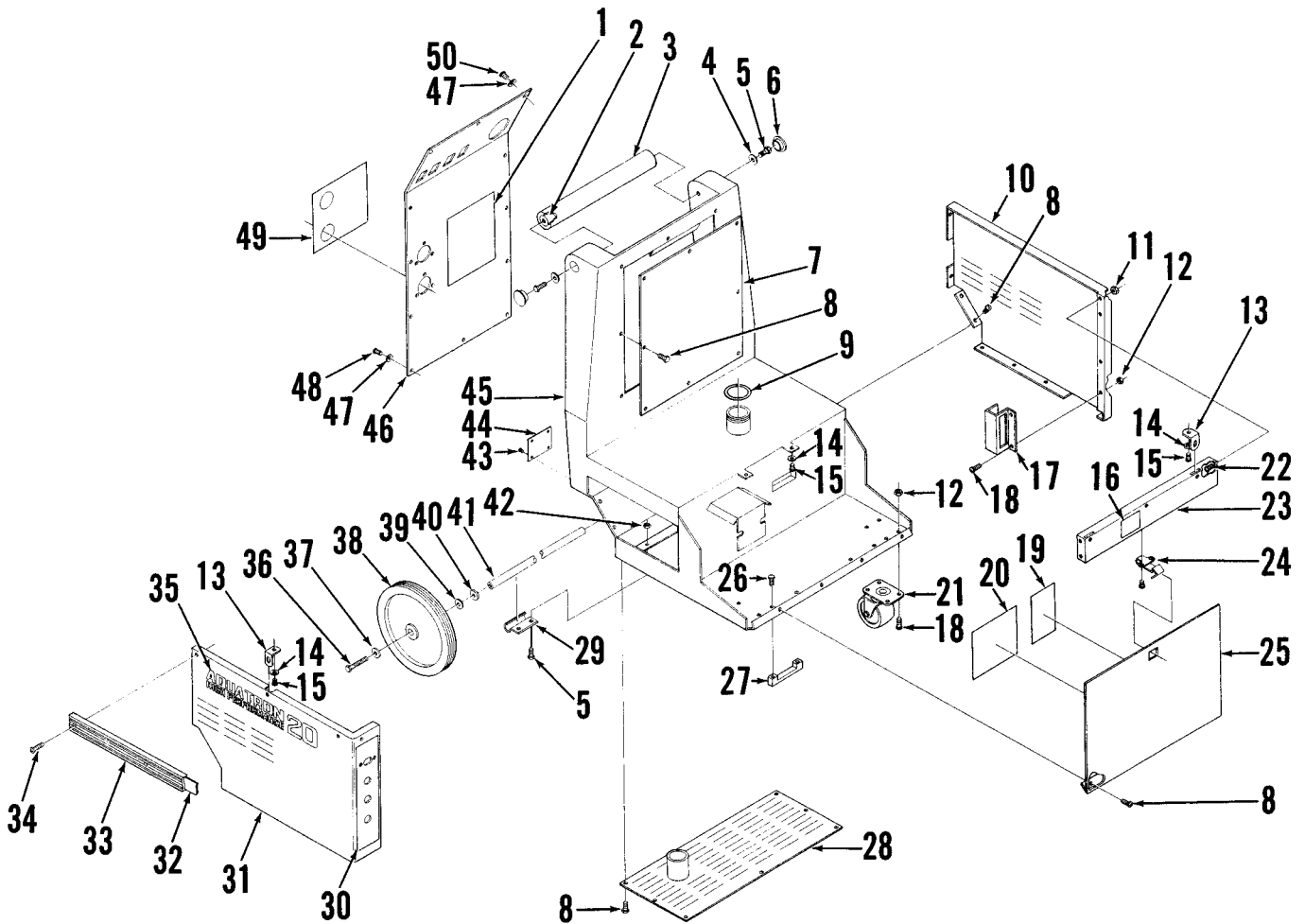
**Advance**  
*by Nilfisk-Advance*

<b>DESCRIPTION</b>	<b>PAGE</b>
Frame Assembly .....	2-3
Tank Assemblies .....	4-5
Control Panel .....	6-7
Pump Assembly A20 .....	8-9
Pump Assembly A20A .....	10-11
Vacuum Motor Assembly .....	12-13
Wiring Diagram A20 .....	14-15
Wiring Diagram 20A .....	16-17
Floor Tool Assembly .....	18-19

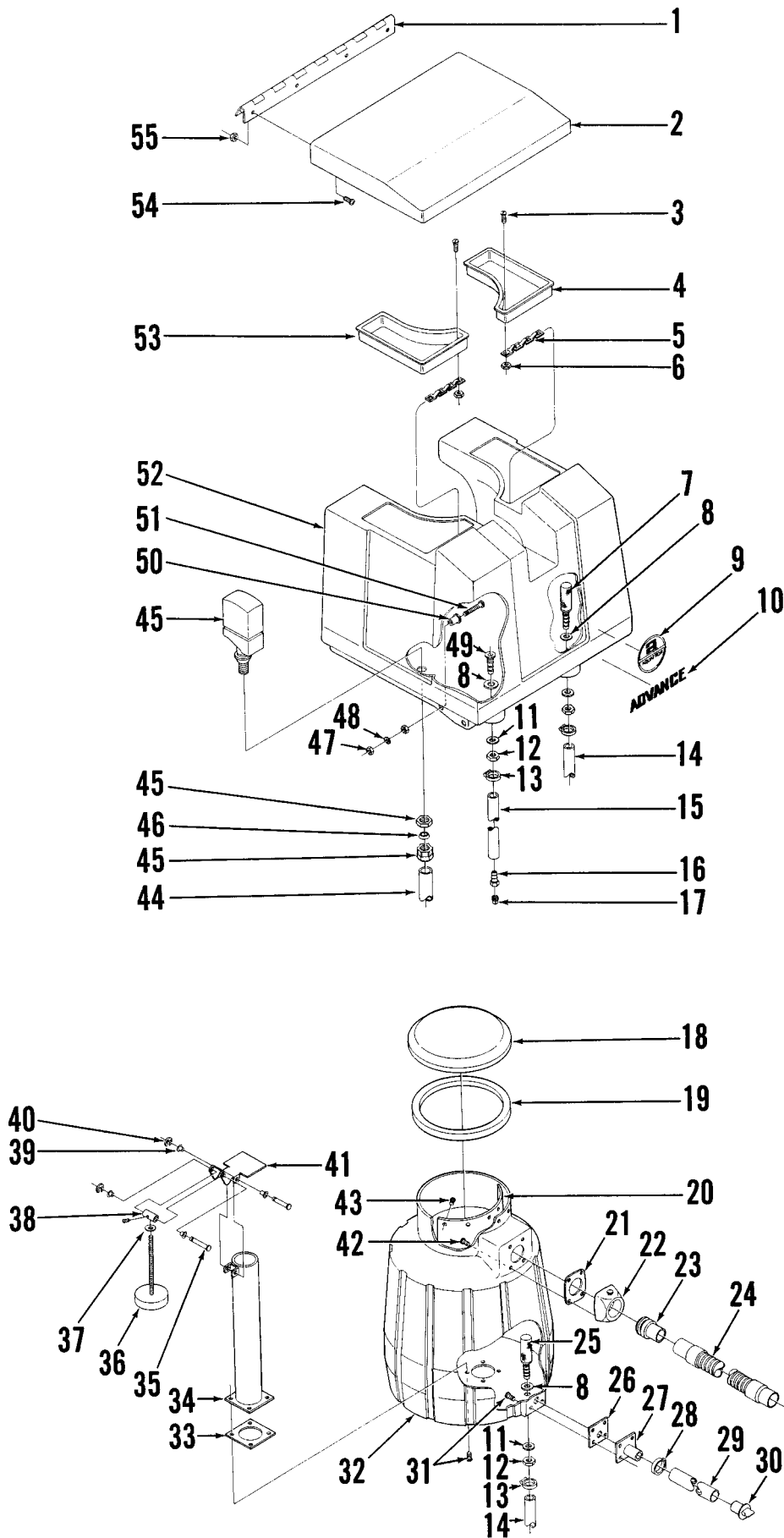
#### WHEN ORDERING PARTS

- \* Use the 8 digit numbers from the "Ref. No." columns in this parts list.
- \* Specify the model and serial number of the machine.
- \* Use the space below to record the model and serial number for future reference.

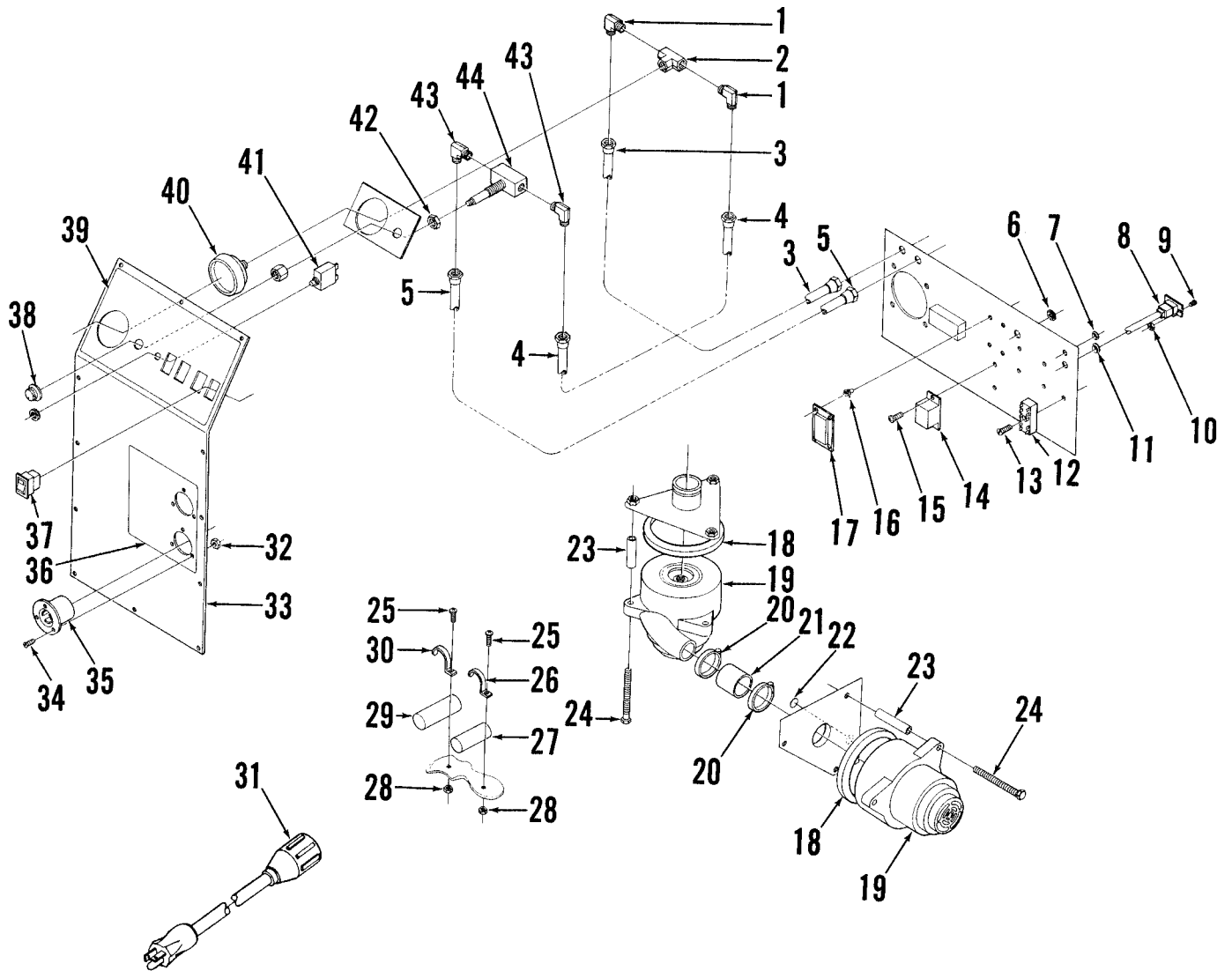
Model \_\_\_\_\_ Serial No. \_\_\_\_\_



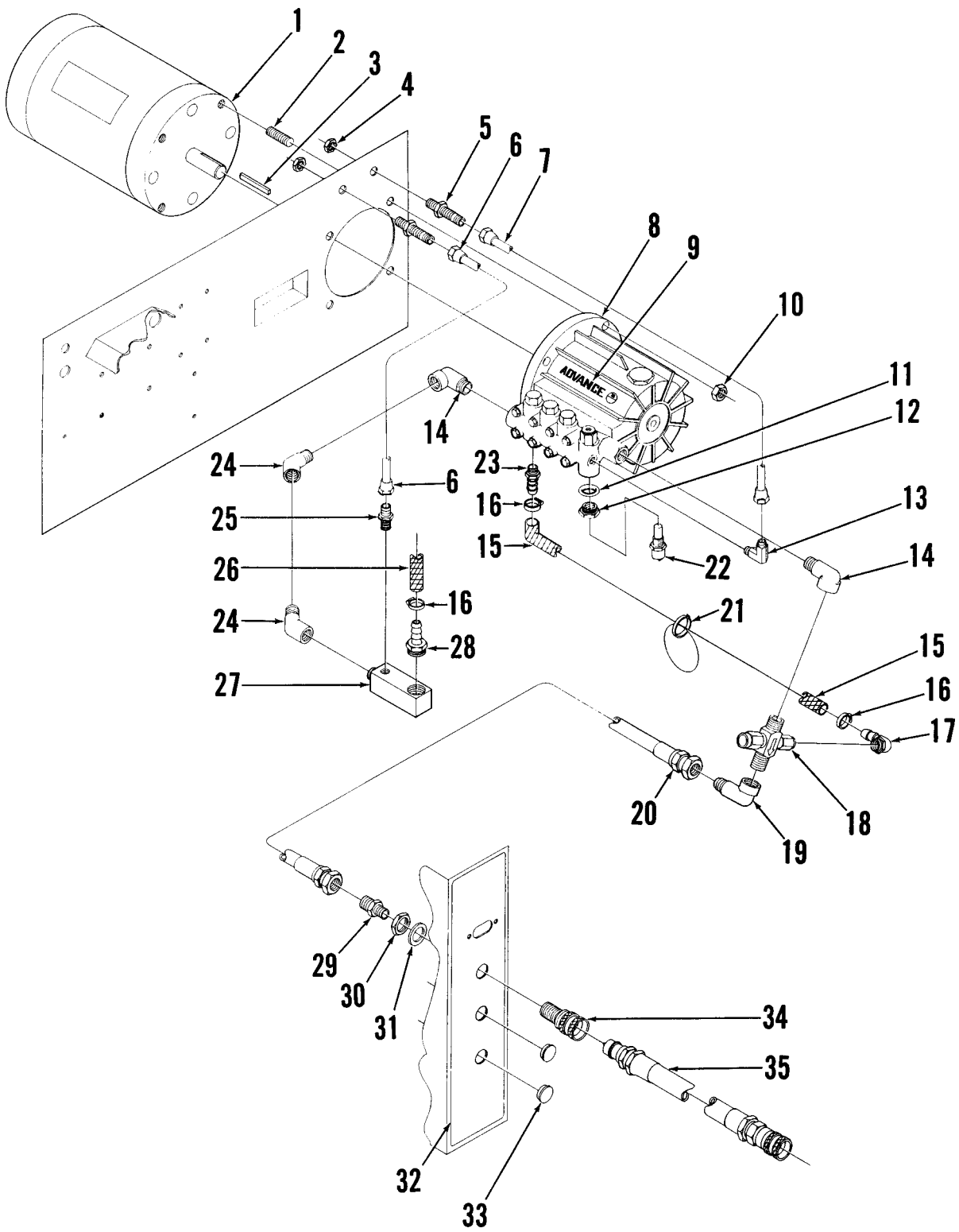
Item	Ref. No.	Qty	Description
1	56017908	1	Decal, Wiring A20A
	56017897	1	Decal, Wiring A20
2	56260014	1	Handle
3	56260118	1	Handle Grip
4	56001990	2	Washer
5	56002208	6	Bolt
6	56488888	2	Plug Button
7	56260013	1	Back Panel
8	56002519	35	Screw
9	56900038	1	O-Ring
10	56260021	1	Left Side Panel
11	56002010	4	Nut
12	56001827	10	Nut
13	56260019	4	Tank Brace
14	56001939	6	Washer
15	56921862	4	Screw
16	56017907	1	Decal, Chemical Control
17	56260015	1	Meter Mount A20A only
18	56001854	10	Screw (8 on A20A)
19	56017909	1	Decal, Information
20	56017906	1	Decal, Warning & Instruction
21	56260122	2	Caster
22	56002503	4	Screw
23	56260020	1	Front Panel
24	56372700	1	Door Latch
25	56260023	1	Door
26	56922520	4	Screw
27	56300101	2	Handle
28	56260010	1	Bottom Cover
29	56260016	2	Axle Brace
30	56017902	1	Decal, Plumbing & Electrical
31	56260022	1	Right Side Panel
32	56260039	1	Strap
33	56260134	1	Bumper
34	56002124	10	Screw
35	56017904	2	Decal, Aquatron
36	56002513	2	Screw
37	56002098	2	Washer
38	56260135	2	Wheel
39	56398056	2	Spring Washer
40	56260152	2	Spacer
41	56260017	1	Axle
42	56001894	4	Nut
43	56002522	4	Screw
44	56017905	1	Nameplate
45	56260040	1	Frame
46	56260009	1	Electrical Panel
47	56449340	12	Finishing Washer
48	56002547	9	Screw
49	56017903	12	Decal, Caution
50	56002178	3	Screw



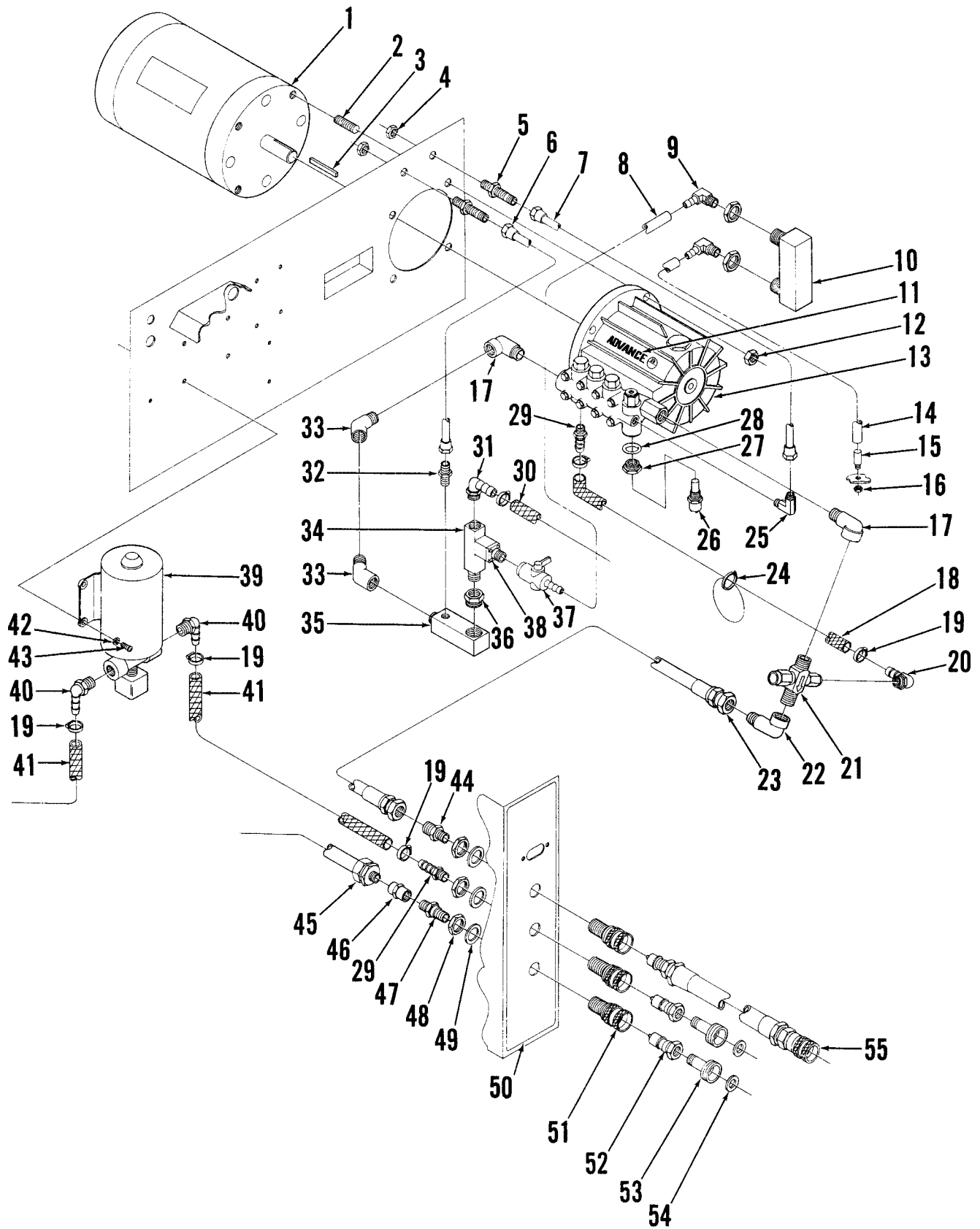
Item	Ref. No.	Qty	Description
1	56260008	1	Cover Hinge
2	56260007	1	Cover
3	56372728	2	Screw
4	56260085	1	Left Tank Cover
5	56260148	1	Chain
6	56022671	2	Nut
7	56260167	1	Screen Assy.
8	56740154	3	Rubber Washer
9	56017904	1	Decal, Aquatron
10	56016519	1	Decal, Advance
11	56002022	3	Washer (2 on A20)
12	56002122	3	Nut (2 on A20)
13	56219932	4	Hose Clamp (3 on A20)
14	56260169	1	Hose
15	56260096	2	Hose
16	56900030	1	Hose Barb
17	56900031	1	Plug <b>TSB 386</b>
18	56260146	1	Tank Dome
19	56260145	1	Channel Gasket
20	56260088	1	Deflector
21	56201390	1	Gasket
22	56201386	1	Connector Assy.
23	56201820	1	Adapter
24	56260128	1	Vacuum Hose
25	56260151	1	Screen Assy. (A20A only)
26	56260121	1	Drain Gasket
27	56260026	1	Tank Drain
28	56244969	1	Hose Clamp
29	56260097	1	Drain Tube
30	56260098	1	Plug
31	56209486	8	Screen
32	56260002	1	Recovery Tank
33	56260120	1	Tank Gasket
34	56260029	1	Tube
35	56260104	2	Pin
36	56206149	1	Float Assy.
37	56454626	1	Washer
38	56260089	1	Pivot Rod
39	56761454	4	Nylon Bushing
40	56321128	2	Retaining Ring
41	56260033	1	Float Door
42	56209519	4	Screw
43	56900043	5	Screw
44	56260139	1	Hose
45	56260130	1	Float Valve Assy.
46	56260137	1	Grab Ring
47	56001987	4	Nut
48	56002011	2	Washer
49	56260037	1	Barb Adapter
50	56376608	2	Well-Nut
51	56002503	2	Screw
52	56260004	1	Solution Tank
53	56260086	1	Right Tank Cover
54	56002503	4	Screw
55	56002010	4	Nut



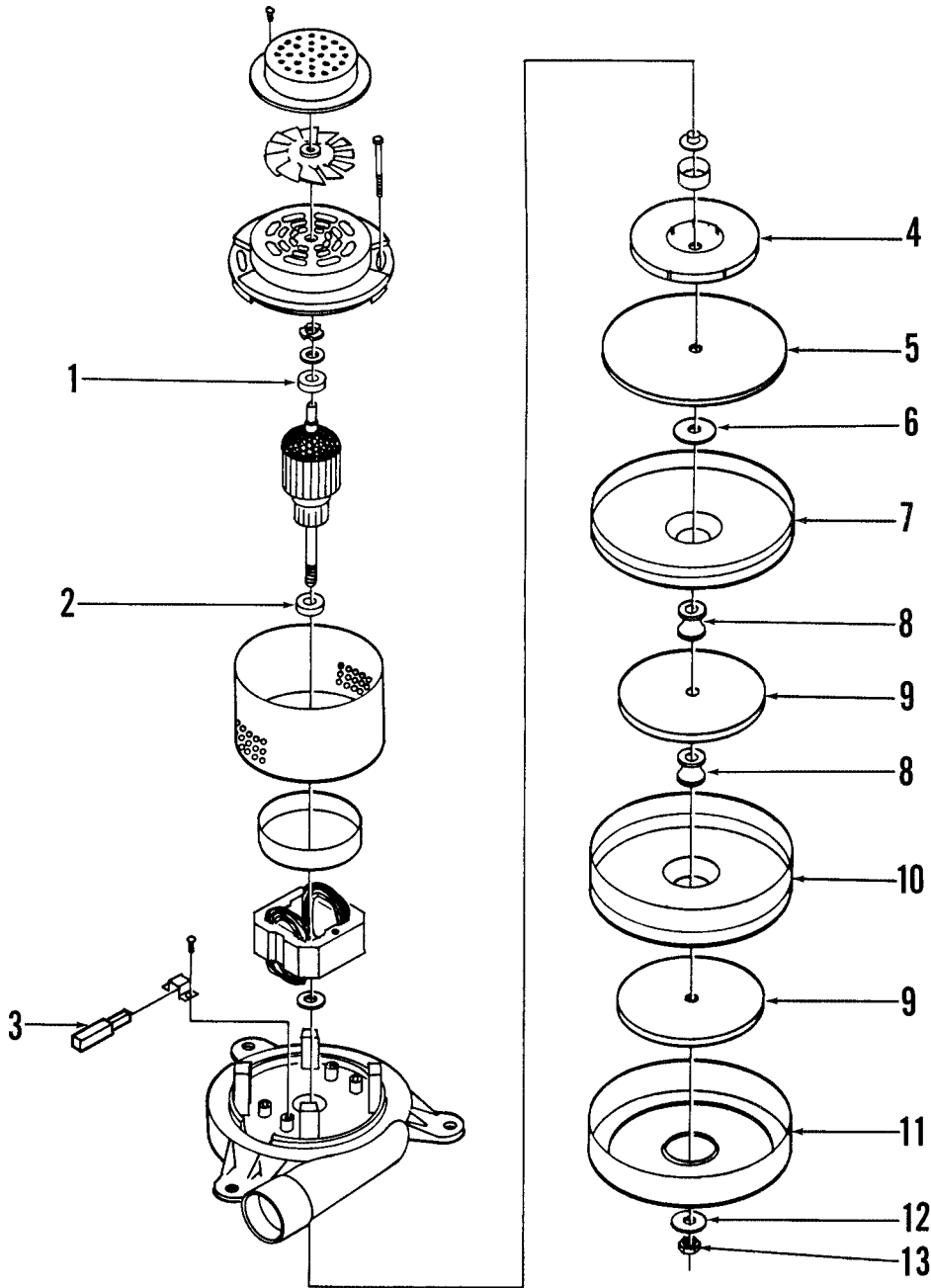
Item	Ref. No.	Qty	Description
1	56900024	2	Elbow
2	56900027	1	Tee
3	56260083	1	Tube Assy
4	56260080	1	Tube Assy
5	56260084	1	Tube Assy
6	56260067	1	Bushing
7	56163015	1	Strain Relief
8	56260062	1	Receptacle W/Cord
9	56570510	2	Screw
10	56002199	2	Nut
11	56260072	1	Strain Relief
12	56260071	1	Terminal Block
13	56002523	1	Screw
14	56260066	1	Relay
15	56002505	2	Screw
16	56260074	4	Board Support
17	56260069	1	Liquid Level Control
18	56249642	2	Vac Motor Gasket
19	56260060	2	Vac Motor
20	56440213	2	Hose Clamp
21	56260133	1	Hose
22	56014119	2	Decal, Ground
23	56260165	6	Spacer
24	56002026	6	Bolt
25	56002503	2	Screw
26	56260035	1	Clamp
27	56260070	1	Run Capacitor
28	56002010	2	Nut
29	56168442	1	Start Capacitor
30	56260036	1	Clamp
31	56260073	2	Cord Set
32	56002562	6	Nut
33	56260009	1	Electrical Panel
34	56001818	6	Screw
35	56260063	2	Flanged Inlet
36	56017903	1	Decal, Caution
37	56260064	4	Rocker Switch (3 on A20)
	56260155	1	Plug (A20 only)
38	56260136	1	Knob
39	56017901	1	Decal, Control Panel
40	56260115	1	Pressure Gauge
41	56260065	1	Circuit Breaker
42	56002169	1	Nut
43	56900028	2	Elbow
44	56260119	1	Needle Valve



Item	Ref. No.	Qty	Description
1	56260061	1	Motor
2	56900042	4	Screw
3		1	Key
4	56002305	2	Nut
5	56900389	2	Bulkhead Union
6	56260081	1	Tube Assy.
7	56260082	1	Tube Assy.
8	56260091	1	Pump <b>TSB 460</b>
9	56017900	1	Decal, Advance
10	56001894	4	Nut
11	56900040	1	O-Ring
12	56260101	1	Brass Bushing
13	56900024	1	Male Elbow
14	56900021	2	Elbow
15	56260095	1	Hose
16	56219932	4	Hose Clamp
17	56900036	1	Elbow Barb
18	56260093	1	Unloader Valve
19	56900023	1	Female Elbow
20	56260112	1	Pressure Hose
21	56477613	1	Wire Tie
22	56260068	1	Thermostat
23	56900034	1	Adapter Barb
24	56900022	2	Street Elbow
25	56900025	1	Male Connector
26	56260169	1	Hose
27	56260094	1	Manifold Block
28	56118117	1	Barb
29	56900029	1	Male Connector
30	56001948	1	Nut
31	56002141	1	Washer
32	56017902	1	Decal, Plumbing & Electrical
33	56900041	2	Plug
34	56260126	3	Coupler
35	56260173	1	High Pressure Hose

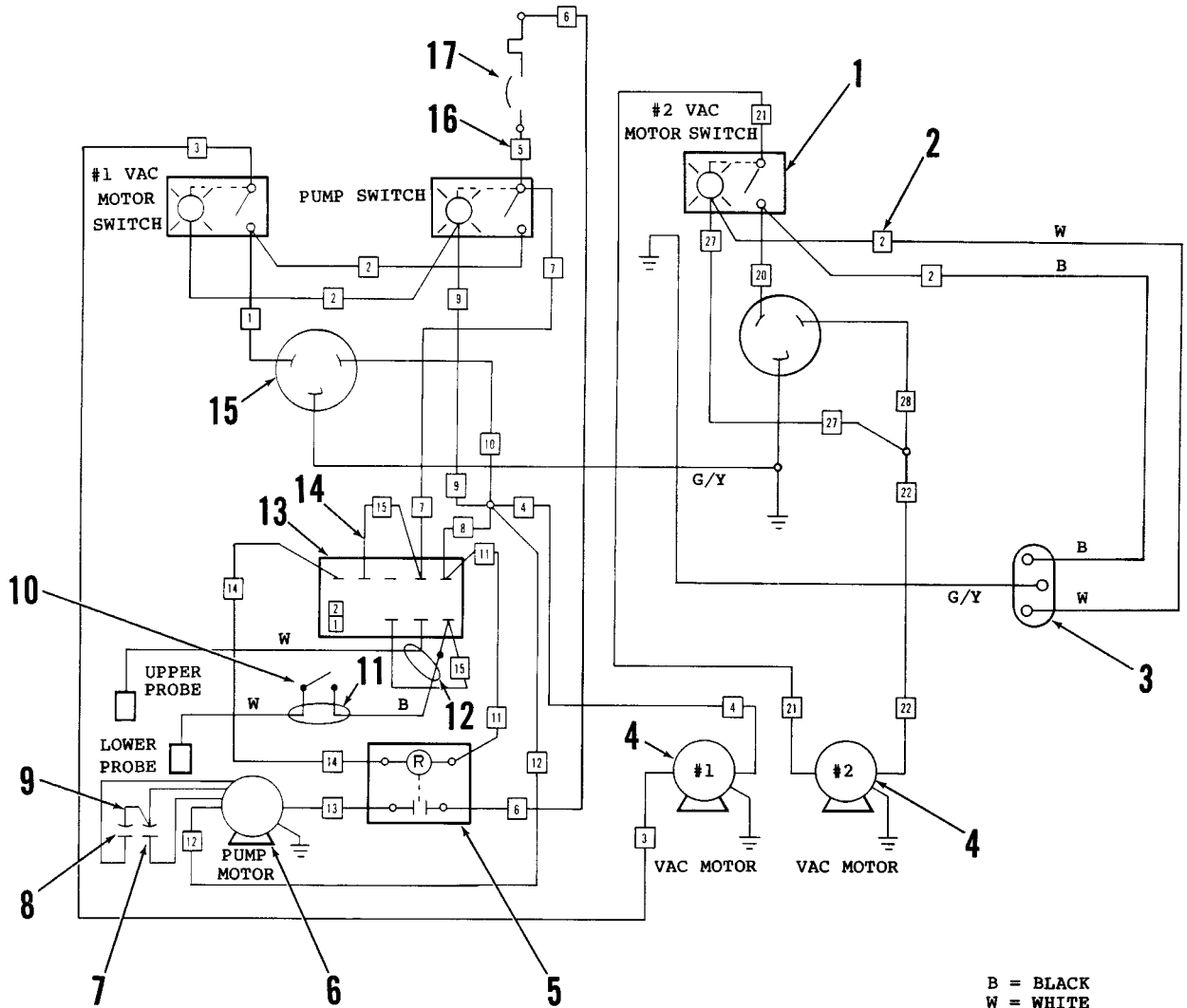


Item	Ref. No.	Qty	Description
1	56260061	1	Motor
2	56900042	4	Screw
3		1	Key
4	56002305	2	Nut
5	56900389	2	Bulkhead Union
6	56260081	1	Tube Assy.
7	56260082	1	Tube Assy.
8	56755882	1	Hose
9	56900026	2	Barbed Elbow
10	56260116	1	Flow Meter Gauge
11	56017900	1	Decal, Advance
12	56001894	4	Nut
13	56260091	1	Pump <b>TSB 460</b>
14	56260099	1	Hose
15	56260034	1	Hose Plug
16	56002562	1	Nut
17	56900021	2	Elbow
18	56260095	1	Hose
19	56219932	6	Hose Clamp
20	56900036	1	Elbow Barb
21	56260093	1	Unloader Valve
22	56900023	1	Female Elbow
23	56260112	1	Pressure Hose
24	56477613	1	Wire Tie
25	56900024	1	Male Elbow
26	56260068	1	Thermostat
27	56260101	1	Brass Bushing
28	56900040	1	O-Ring
29	56900034	3	Adapter Barb
30	56260169	1	Hose
31	56900069	1	Elbow Barb
32	56900025	1	Male Connector
33	56900022	2	Street Elbow
34	56260170	1	Chemical Injector
35	56260094	1	Manifold Block
36	56751687	1	Bushing
37	56260172	1	Ball Valve
38	56260171	1	Adapter Kit
39	56249930	1	Drain Pump
40	56900035	2	Barbed Elbow
41	56054146	2	Hose
42	56001954	4	Washer
43	56002519	4	Screw
44	56900029	1	Male Connector
45	56260138	1	Pipe & Tube Coupler
46	56900032	1	Coupler
47	56218510	1	Check Valve
48	56001948	3	Nut
49	56002141	3	Washer
50	56017902	1	Decal, Plumbing & Electrical
51	56260126	3	Coupler
52	56260174	2	Adapter Assy. (items 52, 53, 54)
	56260124	2	Nipple
53	56260140	2	Swivel Adapter
54	56740154	2	Washer
55	56260173	1	High Pressure Hose

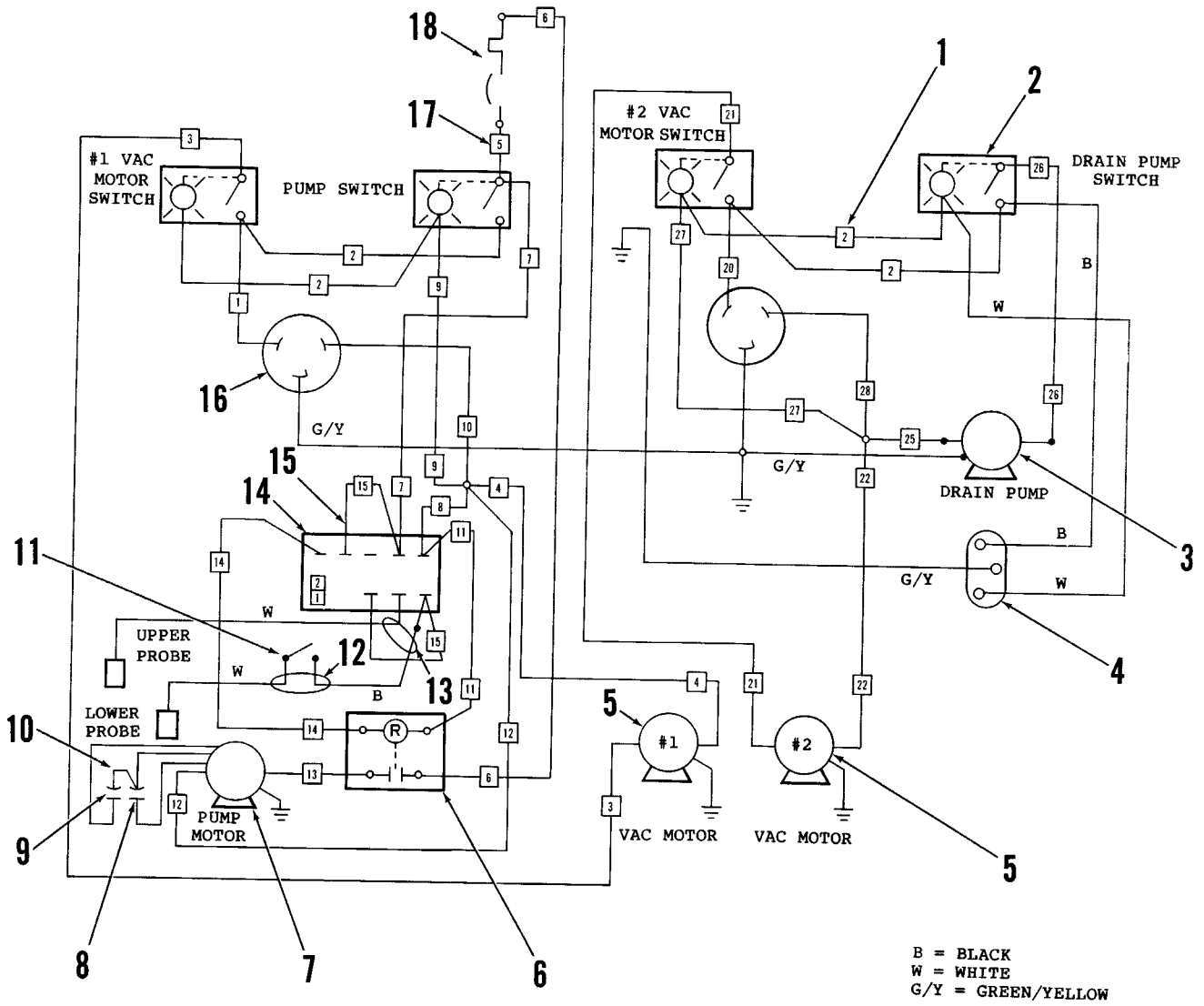


**Item Ref. No. Qty Description**

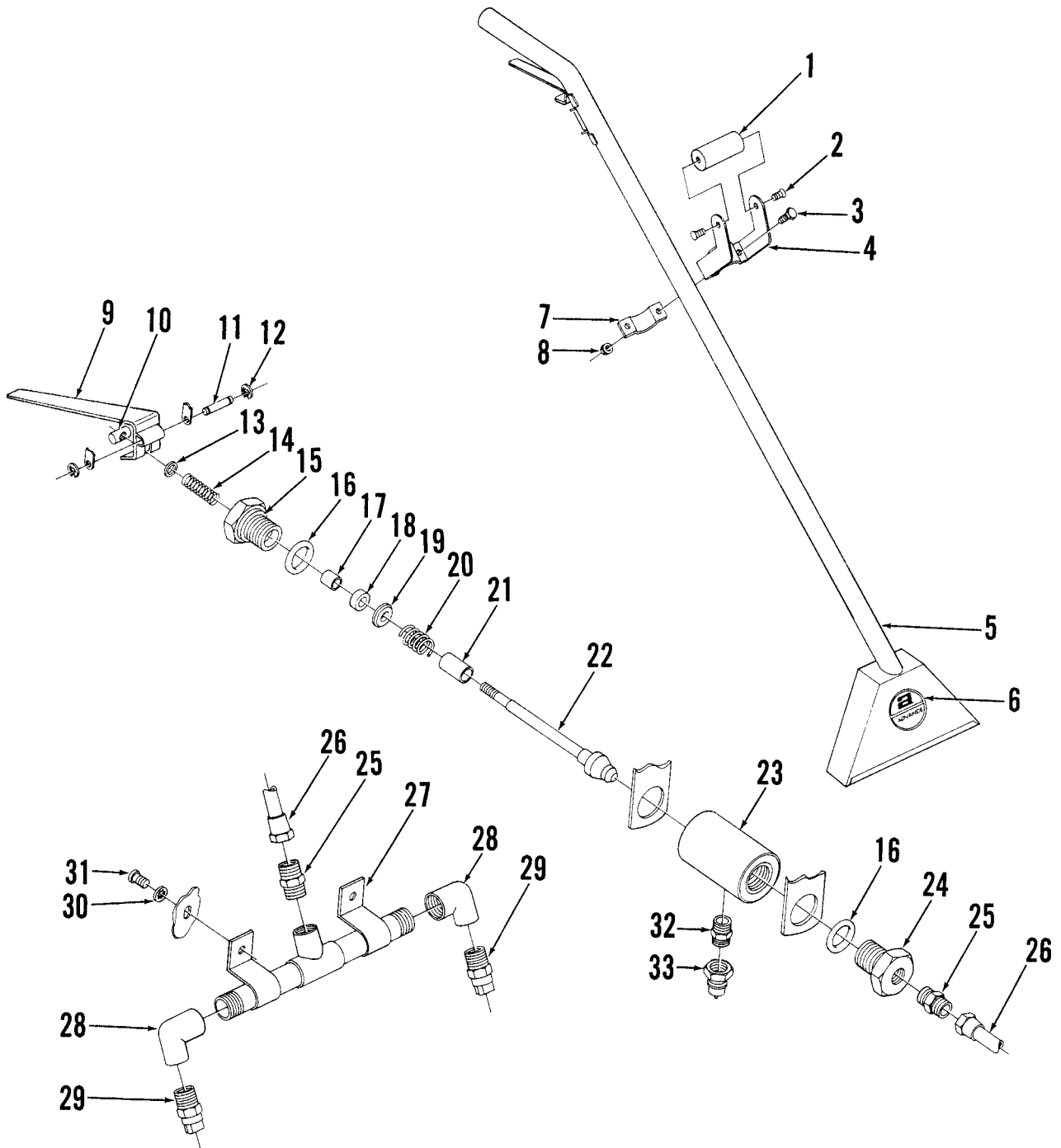
1	56249737	1	Bearing
2	56228051	1	Bearing
3	56260159	2	Brush Mechanism
4	56249753	1	Rotating Fan
5	56202592	1	Rotating Fan
6	56202770	1	Washer
7	56249755	1	Stationary Fan
8	56203916	2	Spacer
9	56372588	1	Rotating Fan
10	56260163	1	Stationary Fan
11	56249757	1	Shell
12	56202711	1	Washer
13	56203440	1	Nut



<b>Item</b>	<b>Ref. No.</b>	<b>Qty</b>	<b>Description</b>
1	56260064	3	Rocker Switch
2	56260076	4	Wire Assy. #2
3	56260062	1	Receptacle W/Cord
4	56260060	2	Vacuum Motor
5	56260066	1	Motor Relay
6	56260061	1	Pump Motor
7	56260070	1	Run Capacitor
8	56168442	1	Start Capacitor
9	56330876	1	Wire Assy.
10	56260068	1	Thermostat
11	56260075	1	Cord Assy.
12	56260079	1	Cord Assy.
13	56260069	1	Liquid Level Control
14	56260078	2	Wire Assy. #15
15	56260063	2	Flanged Inlet
16	56260077	1	Wire Assy. #5
17	56260065	1	Circuit Breaker
18	56260103	1	Wire Harness (includes wire nos: 1, 3, 4, 6-14, 20-22, 25-28)



Item	Ref. No.	Qty	Description
1	56260076	4	Wire Assy. #2
2	56260064	4	Rocker Switch
3	56249930	1	Drain Pump
4	56260062	1	Receptacle W/Cord
5	56260060	2	Vacuum Motor
6	56260066	1	Motor Relay
7	56260061	1	Pump Motor
8	56260070	1	Run Capacitor
9	56168442	1	Start Capacitor
10	56330876	1	Wire Assy.
11	56260068	1	Thermostat
12	56260075	1	Cord Assy.
13	56260079	1	Cord Assy.
14	56260069	1	Liquid Level Control
15	56260078	2	Wire Assy. #15
16	56260063	2	Flanged Inlet
17	56260077	1	Wire Assy. #5
18	56260065	1	Circuit Breaker
19	56260103	1	Wire Harness (includes wire nos: 1, 3, 4, 6-14, 20-22, 25-28)



Item	Ref. No.	Qty	Description
1	56260363	1	Handle
2		2	Screw 5/16-18 x .75
3		2	Screw 5/16-18 x .50
4	56260361	1	Bracket
5	56260370	1	Wand
6	56017019	1	Decal, Advance
7	56260362	1	Clamp
8		2	Whiz Nut 5/16-18
9	56260364	1	Lever
10	56260328	1	Handle Guide
11	56260324	1	Lever Pin
12	56321128	2	Retaining Ring
13		1	#6 Flat Washer
14	56260310	1	Spring
15	56260304	1	Rear Valve Plug
16	56900039	2	O-Ring
17	56260330	1	Bushing
18	56900037	1	Quad-Ring
19	56260306	1	Valve Washer
20	56260308	1	Spring
21	56260309	1	Valve Stop
22	56260399	1	Poppet & Stem Assy.
23	56260302	1	Valve Body
24	56260303	1	Front Valve Plug
25	56900025	2	Male Connector
26	56260366	1	Tube Assy.
27	56260367	1	Manifold Assy.
28	56111295	2	Brass Elbow
29	56260127	2	Spray Nozzle
30		4	#8 Shprf Washer
31	56900619	4	Screw
32	56900044	1	Nipple
33	56260124	1	Nipple



Nilfisk-Advance, Inc.  
14600 21st Avenue North  
Plymouth, MN, 55447-3408  
[www.nilfisk-advance.com](http://www.nilfisk-advance.com)  
Phone: 800-989-2235  
Fax: 800-989-6566  
©2000 Nilfisk-Advance, Inc.,  
Plymouth, MN 55447-3408  
Printed in the U.S.A.