



Electronic Service Manuals

This electronic document is provided as a service to our customers. We do not create the contents of the information contained in this document. Should you have detailed questions pertaining to the information contained in this document, you may contact Michco, or the manufacturer which provided the original information in this electronic deliverable. Michco's only part in this electronic deliverable was the electronic assembly process.

You may contact Michco through the following methods:
Phone (517) 484-9312 or (800) 331-3339 MI, OH, IN only
2011 N. High St. -- Lansing, Michigan -- 48906
Fax: (517) 484-9836
Email: CustServ@Michco.com
Web site: www.Michco.Com
Parts Web site: www.FloorMachineParts.Com

Order Parts on Line at:
www.FloorMachineParts.Com

Directly to Parts & Service:
By Email: **Shop@Michco.com**
By Fax: (517) 702-2041
By Voice: Use numbers above.

Serving the Cleaning Industry Since 1922

Notice: All copyrighted material remains property of original owners, all trademarks are property of respective owners. Manuals are subject to Manufacturer's reproduction limitations. Originals or reproductions were provided by manufacturers through a request. We make no warranty as to the correctness of information provided in this document and you assume all risk.

AquaClean™

PARTS LIST

**Advance MODELS 56262500(Obsolete)
56262505(Obsolete)**

This parts list is for machines after serial number 359336



Advance
by Nilfisk-Advance

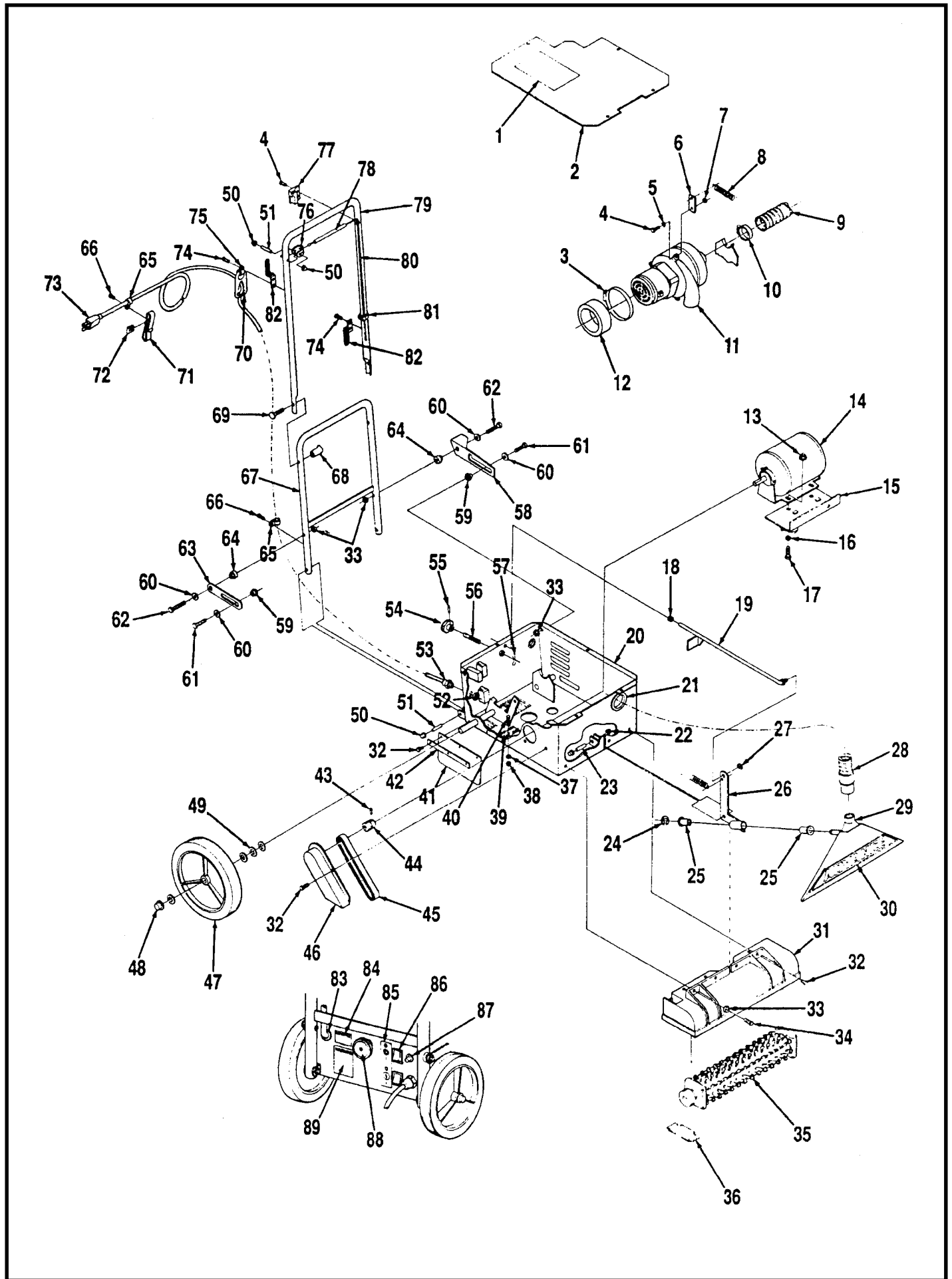
TABLE OF CONTENTS

DESCRIPTION	PAGE
Base Housing	1-2
Tanks & Pump Assembly	3-4
Pump	5-6
Wiring Diagram	7-8

WHEN ORDERING PARTS

- * Use the 8 digit numbers from the "Ref. No." columns in this parts list.
- * Specify the model and serial number of the machine.
- * Use the space below to record the model and serial number for future reference.

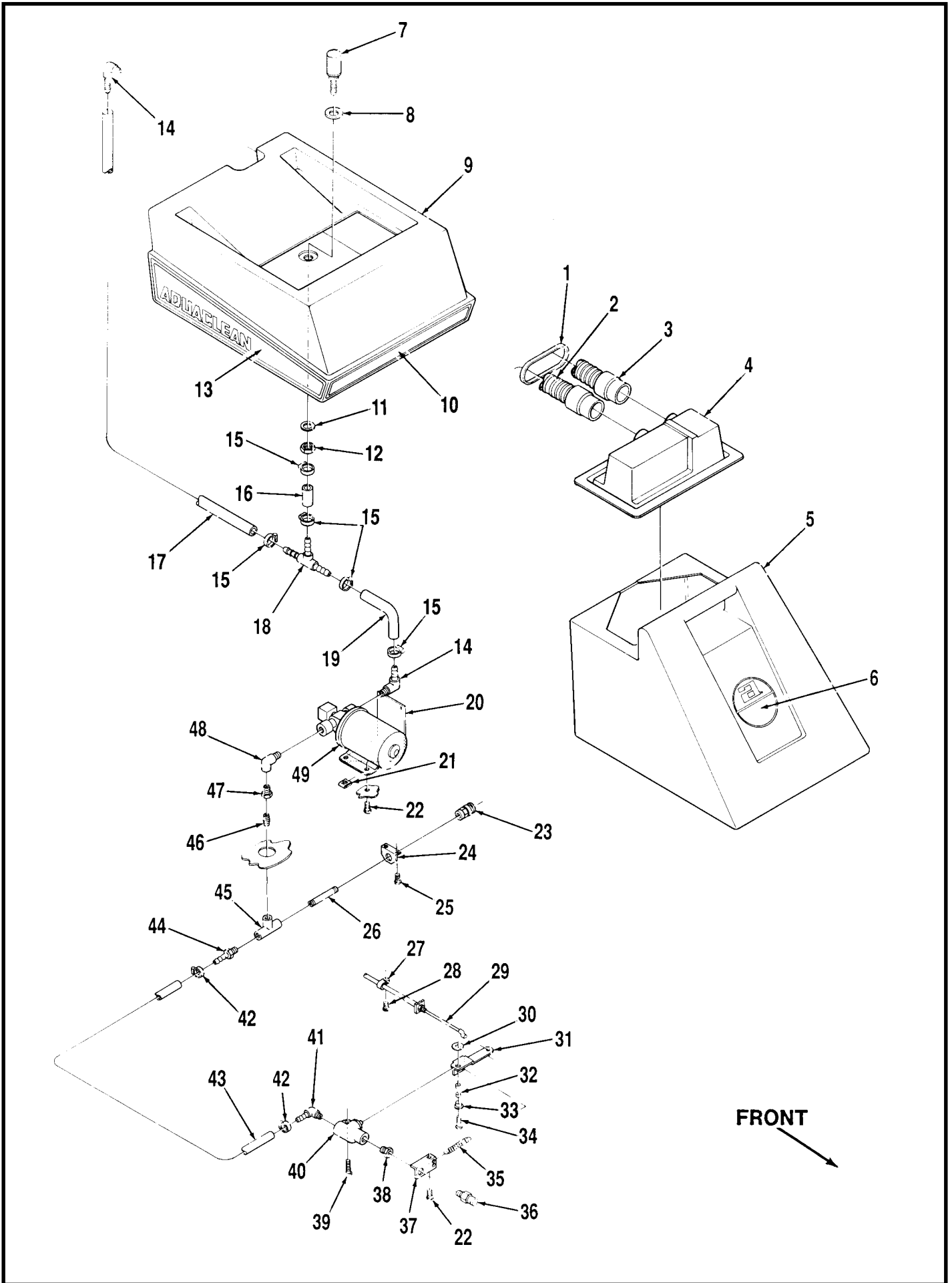
Model _____ Serial No. _____



BASE ASSEMBLY

Item	Ref. No.	Qty	Description	Item	Ref. No.	Qty	Description
1	56014649	1	Decal, Wiring 120V	46	56262557	1	Belt Guard
	56014674	1	Decal, Wiring 230V	47	56249505	2	Wheel
2	56262562	1	Cover 120V	48	56376544	2	Cap
	56262616	1	Cover 230V	49		8	1/2 Flat Washer
3	56352829	1	Clamp	50	56290935	6	Cap
4		4	1/4-20 x 1/2 Screw	51	56262515	3	1/8 x 1 Roll Pin
5		2	1/4 Shakeproof Washer	52	56171094	1	Lock Nut
6	56262556	1	Plate	53	56323135	1	Strain Relief
7		2	1/4-20 Nut	54	56395061	1	Knob
8	56398606	1	Spring	55		1	1/8 x 1 Pin
9	56262574	1	Vacuum Hose	56	56262550	1	Adjusting Screw
10	56329145	1	Hose Clamp	57		1	Cotter Key
11	56262584	1	Vacuum Motor 120V	58	56262527	1	Latch
*	56260950	1	Carbon Brush Set for 120V Motor	59	56244937	2	Bushing
	56262586	1	Vacuum Motor 230V	60		4	5/16 Flat Washer
*	56503004	1	Carbon Brush Set for 230V Motor	61		2	5/16-18 x 7/8 Bolt
12	56262598	1	Foam	62		2	5/16-18 x 1-3/4 Bolt
13		2	5/16-18 Whiz Nut	63	56262595	1	Strap
14	56238148	1	Brush Motor 120V	64	56262506	1	Spacer
	56218529	1	Brush Motor 230V	65	56342319	2	P-Clamp
*	56262546	2	Spring Nut	66		2	#6-32 x 5/16 Screw
15	56262628	1	Bracket	67	56262553	1	Handle
16		4	5/16 Shakeproof Washer	68	56370711	2	Thumb Nut
17		4	5/16-18 x 1 Bolt	69	56262555	2	Bolt
18	56329098	1	Bushing	70	56262535	1	Strain Relief
19	56262521	1	Rod	71	56300187	1	Belt Clip
20	56262548	1	Base 120V	72	56322504	1	Nut
	56262588	1	Base 230V	73	56262563	1	Power Cord 120V TSB 601
21	56262531	1	Grommet		56300227	1	Power Cord 230V
22	56262534	2	Cap	74		4	1/4-20 x 3/8 Screw
23	56262514	1	Pin TSB 503	75	56442011	1	P-Clamp
24	56468834	1	Retaining Ring	76	56262526	1	Clevis
25	56111503	2	Bearing	77	56262570	1	Cable Guide
26	56262510	1	Arm	78	56262533	1	Tube
27	56321427	1	Retaining Ring	79	56262554	1	Handle
28	56262573	1	Recovery Hose	80	56262543	1	Cable
29	56262541	1	Vacuum Tool	81	56344346	3	Cable Clamp
30	56014733	1	Decal, Advance	82	56262518	2	Cord Hook
31	56262597	1	Brush Housing	83	56391302	1	Grommet
32		8	#10-24 x 1/2 HP-5 Screw	84	56015324	1	Nameplate 120V
33		6	5/16-18 Nut		56015401	1	Nameplate 230V
34		2	5/16-18 x 1-1/2 Bolt	85	56014663	1	Decal, Instruction
35	56262565	1	Brush Assembly TSB 602	86	56262551	2	Switch 120V
*	56372773	1	Right Bearing TSB 602		56260204	2	Switch 230V
*	56290283	1	Left Bearing TSB 602	87	56171550	1	9 Amp Circuit Breaker 120V
*	56262624	1	Rt Bearing Block TSB 602		56228414	1	3.5 Amp Circuit Breaker 230V
*	56262625	1	Lt Bearing Block TSB 602	88	56015059	1	Decal, Instruction
	56262559	1	Sheave	89	56014781	1	Decal, Caution
36	56262600	1	Guard				
37		1	#8 Shakeproof Washer				
38		1	#8-32 Nut				
39	56260071	1	Terminal Block 120V				
	56183523	1	Terminal Block 230V				
40		1	#8-32 x 3/4 Screw				
41	56262617	1	Skirt 230V				
42	56262618	1	Strap 230V				
43		1	1/4-20 x 1/4 Set Screw				
44	56262558	1	Sheave				
45	56327476	1	Belt				

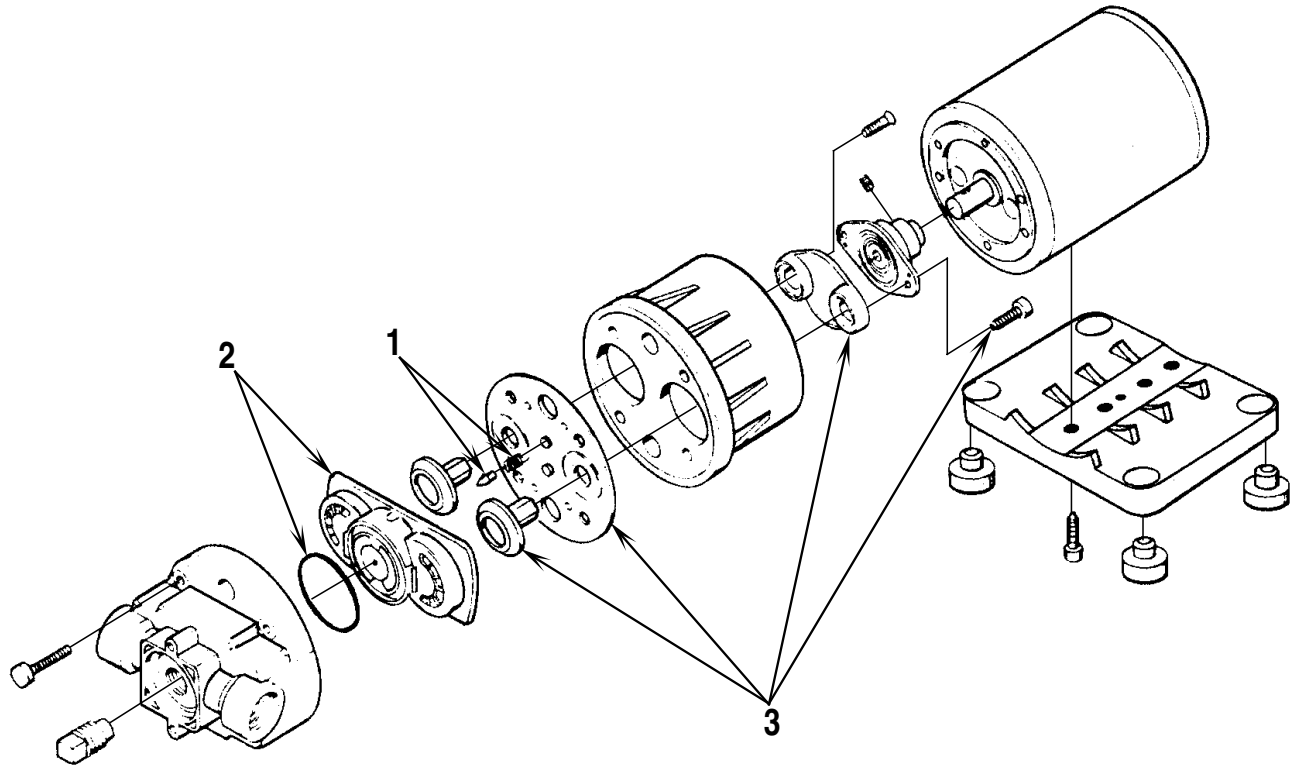
* = Not Shown



TANKS AND PUMP

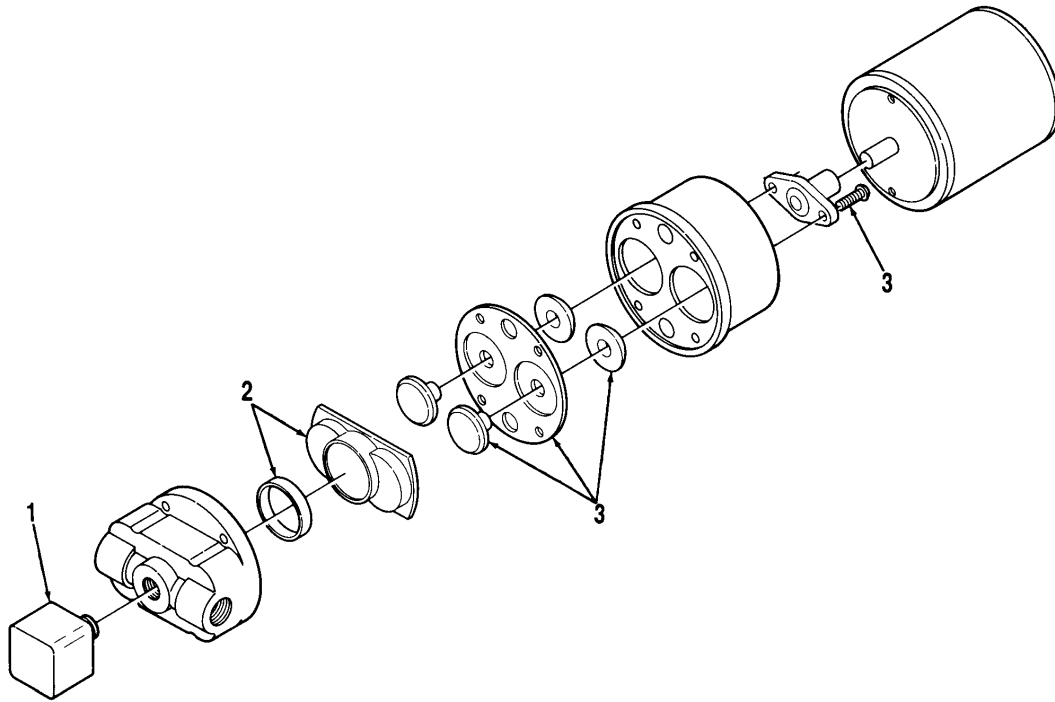
Item	Ref. No.	Qty	Description
1	56477613	1	Tie
2	56262574	1	Vacuum Hose
3	56262573	1	Recovery Hose
4	56262583	1	Cover Assembly TSB 636
	56262577	1	Cover TSB 636
	56262576	1	Gasket
5	56262581	1	Recovery Tank
6	56015326	1	Decal, Logo
7	56368725	1	Screen
8	56368776	1	Rubber Washer
9	56262579	1	Solution Tank
	56262582	1	Solution Tank Assy (#7-14)
10	56014669	1	Decal, Front Stripe
11		1	5/8 Flat Washer
12		1	5/8-18 Nut
13	56014668	1	Decal, Right Stripe
*	56014666	1	Decal, Left Stripe
14	56900069	2	Elbow Barb
15	56219932	5	Hose Clamp
16	56262560	1	Hose
17	56244986	1	Hose
18	56262549	1	Tee
19	56262619	1	Hose 120V, 230V
20	56262589	1	Bracket 230V
21	56328855	2	Spring Nut
22		3	#10-24 x 1/2 Screw
23	56262613	1	Quick Disconnect
24	56262601	1	Support
25		2	#10-24 x 3/8 Screw
26	56262612	1	Nipple
27	56481890	1	P-Clamp
28		1	1/4-20 x 3/8 Screw
29	56262543	1	Cable
30	56900282	1	Thrust Washer
31	56262528	1	Lever
32	56151092	2	Bushing
33	56756318	1	Bearing
34		1	#8-32 x 1/2 Screw
35	56330178	2	Spring
36	56262544	1	Nozzle 120V
	56262620	1	Nozzle 230V
37	56262538	1	Support 120V
	56262621	1	Support 230V
38	56750677	1	Adapter 120V
	56740214	1	Adapter 230V
39		1	1/4-20 x 7/8 Screw
40	56262596	1	Valve
41	56900285	1	Elbow Barb
42	56756364	2	Hose Clamp
43	56249342	1	Tube
44	56470111	1	Barb
45	56900027	1	Tee 120V
	56372506	1	Tee 230V
46	56150223	1	Nipple 120V
47	56750363	1	Bushing
48	56900021	1	Elbow
49	56262593	1	Pump 120V TSB 710
	56262585	1	Pump 230V

* = Not Shown



REPLACEMENT PARTS FOR 115V PUMP (262117)

Item	Ref. No.	Qty	Description
1	56264436	1	By-Pass Kit (includes poppets and springs)
2	56264435	1	Check Valve Kit
3	56249834	1	Diaphragm Kit



REPLACEMENT PARTS FOR 115V PUMP (262593)

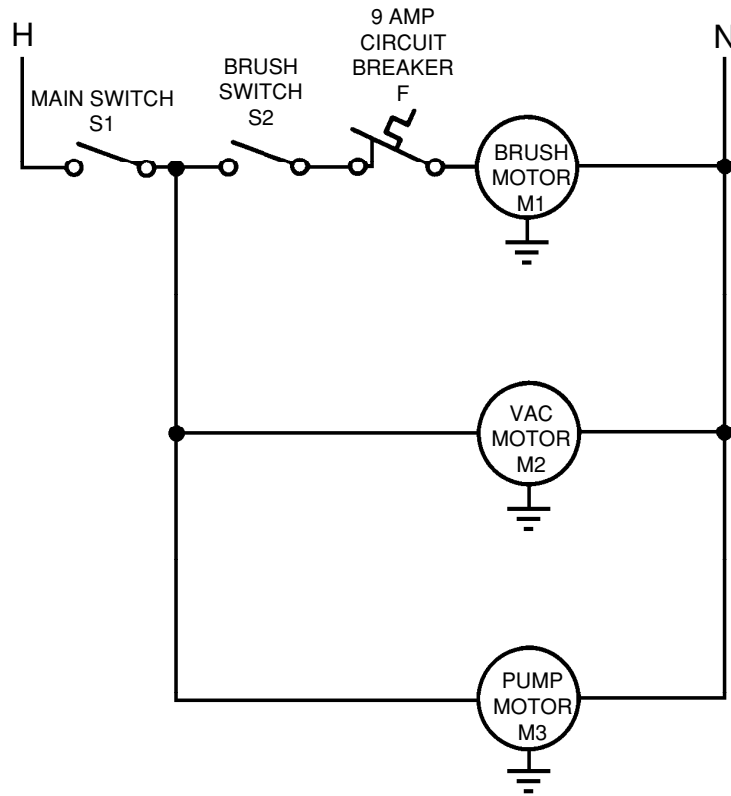
Item	Ref. No.	Qty	Description
1	56249947	1	Pressure Switch
2	56249943	1	Valve Kit
3	56249834	1	Diaphragm Kit

REPLACEMENT PARTS FOR 230V PUMP (262585)

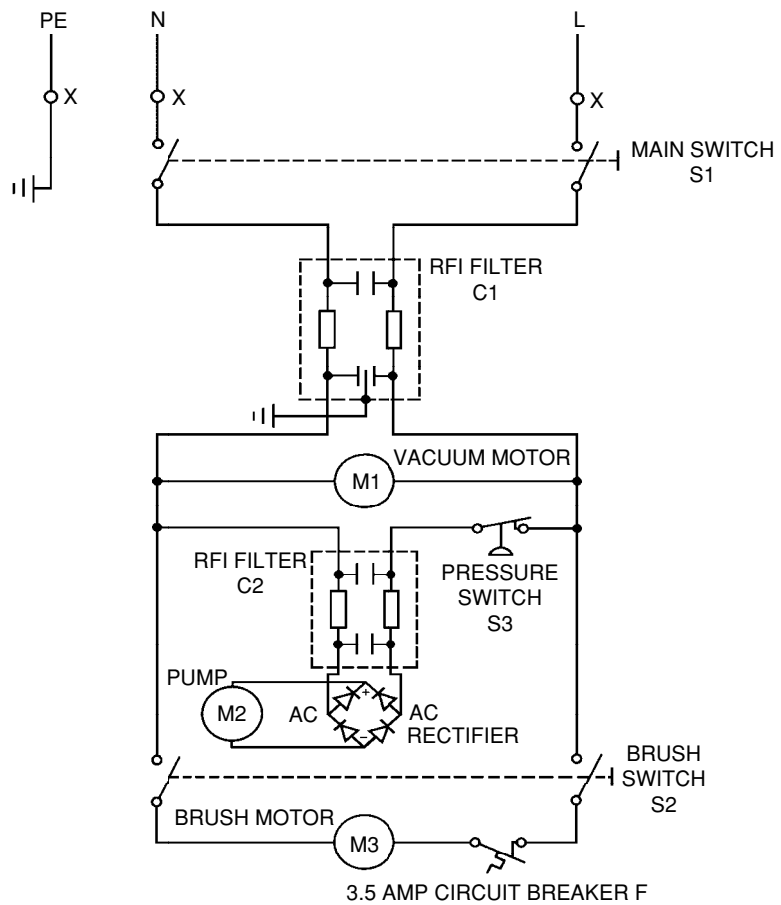
Item	Ref. No.	Qty	Description
1	56249947	1	Pressure Switch
2	56249943	1	Valve Kit
3	56249834	1	Diaphragm Kit

Note: The 230V pump uses an external mounted rectifier PN 56180163.

120V WIRING



230V WIRING



120V WIRING

Item	Ref. No.	Qty	Description
F	56171550	1	Circuit Breaker 9 Amp
M1	56238148	1	Motor, Brush
M2	56262584	1	Motor, Vacuum
M3	56262593	1	Motor, Pump
S1	56262551	1	Switch, Main
S2	56262551	1	Switch, Brush
*	56260071	1	Terminal Block

* = Not Shown

230V WIRING

Item	Ref. No.	Qty	Description
C1	56262609	1	RFI Filter
C2	56262608	1	RFI Filter
F	56228414	1	Circuit Breaker 3.5 Amp
M1	56262586	1	Motor, Vacuum
M2	56262585	1	Motor, Pump
*	56180163	1	Rectifier
M3	56218529	1	Motor, Brush
S1	56260204	1	Switch, Main
S2	56260204	1	Switch, Brush
S3		1	Switch, Pressure
X	56183523	1	Terminal Block
*	56262610	1	Wiring Harness

* = Not Shown



Nilfisk-Advance, Inc.
14600 21st Avenue North
Plymouth, MN, 55447-3408
www.nilfisk-advance.com
Phone: 800-989-2235
Fax: 800-989-6566
©2002 Nilfisk-Advance, Inc.,
Plymouth, MN 55447-3408
Printed in the U.S.A.