



Electronic Service Manuals

This electronic document is provided as a service to our customers. We do not create the contents of the information contained in this document. Should you have detailed questions pertaining to the information contained in this document, you may contact Michco, or the manufacturer which provided the original information in this electronic deliverable. Michco's only part in this electronic deliverable was the electronic assembly process.

You may contact Michco through the following methods:
Phone (517) 484-9312 or (800) 331-3339 MI, OH, IN only
2011 N. High St. -- Lansing, Michigan -- 48906
Fax: (517) 484-9836
Email: CustServ@Michco.com
Web site: www.Michco.Com
Parts Web site: www.FloorMachineParts.Com

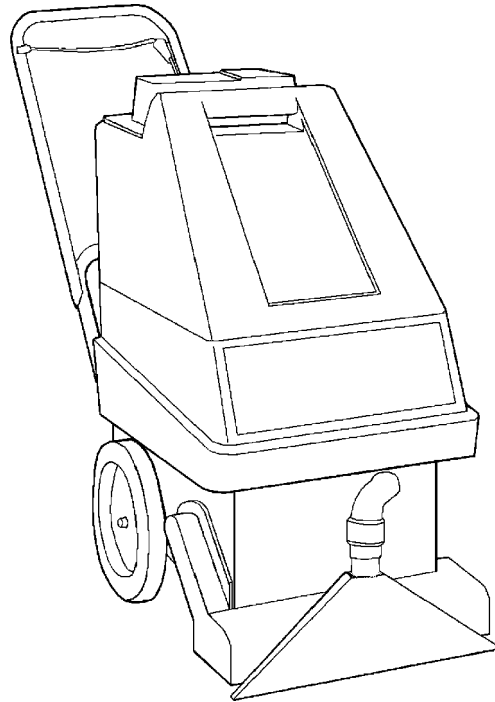
Order Parts on Line at:
www.FloorMachineParts.Com

Directly to Parts & Service:
By Email: **Shop@Michco.com**
By Fax: (517) 702-2041
By Voice: Use numbers above.

Serving the Cleaning Industry Since 1922

Notice: All copyrighted material remains property of original owners, all trademarks are property of respective owners. Manuals are subject to Manufacturer's reproduction limitations. Originals or reproductions were provided by manufacturers through a request. We make no warranty as to the correctness of information provided in this document and you assume all risk.

AquaClean™ *Classic*



PARTS LIST

AquaClean™ MODEL 56262640



Advance
by Nilfisk-Advance

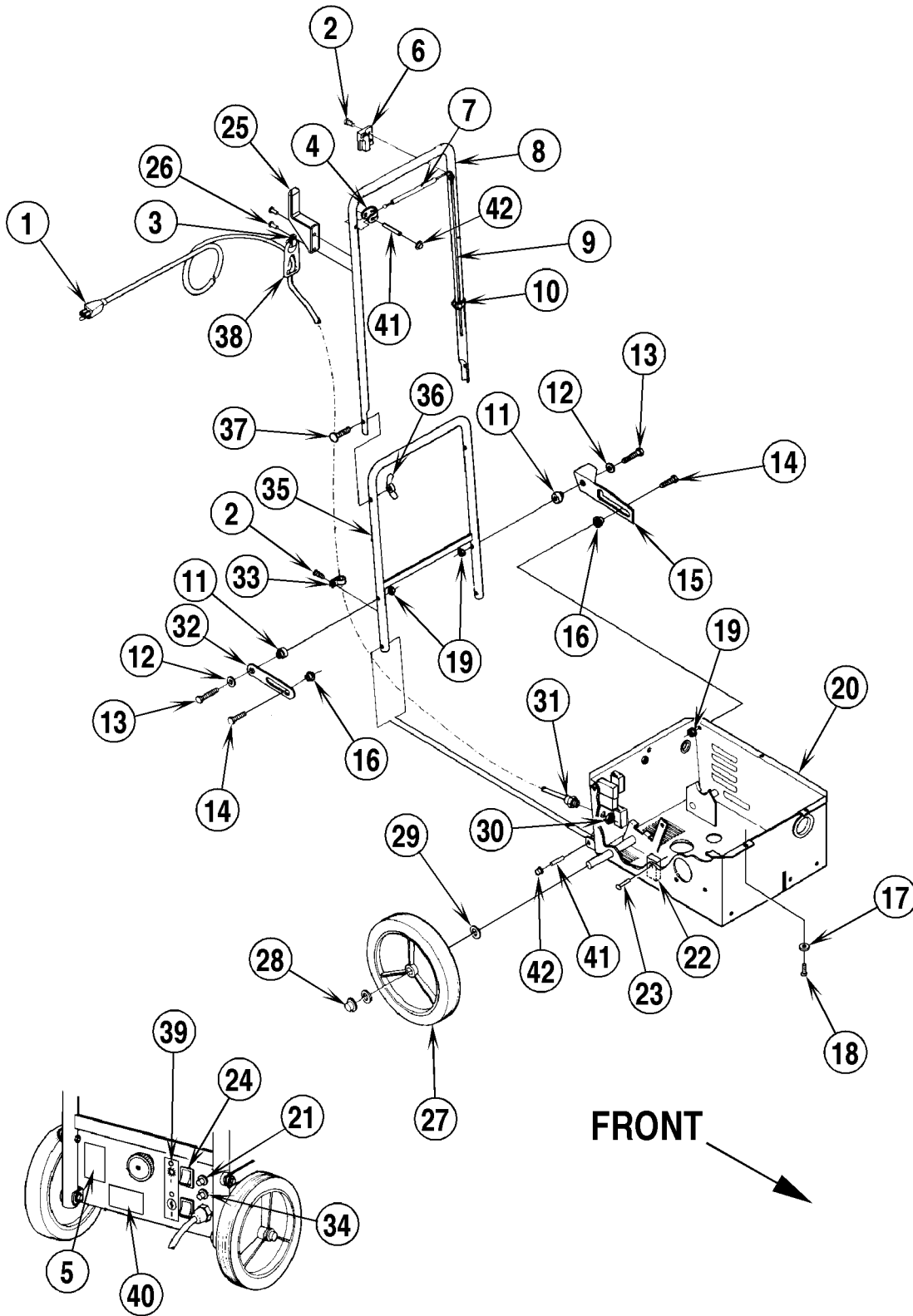
3/99 revised 1/02 FORM NO. 56042358

DESCRIPTION	PAGE
HANDLE AND BASE	2-3
BASE AND BRUSH	4-5
TANKS AND PUMP	6-7
WIRING DIAGRAM	8-9

WHEN ORDERING PARTS

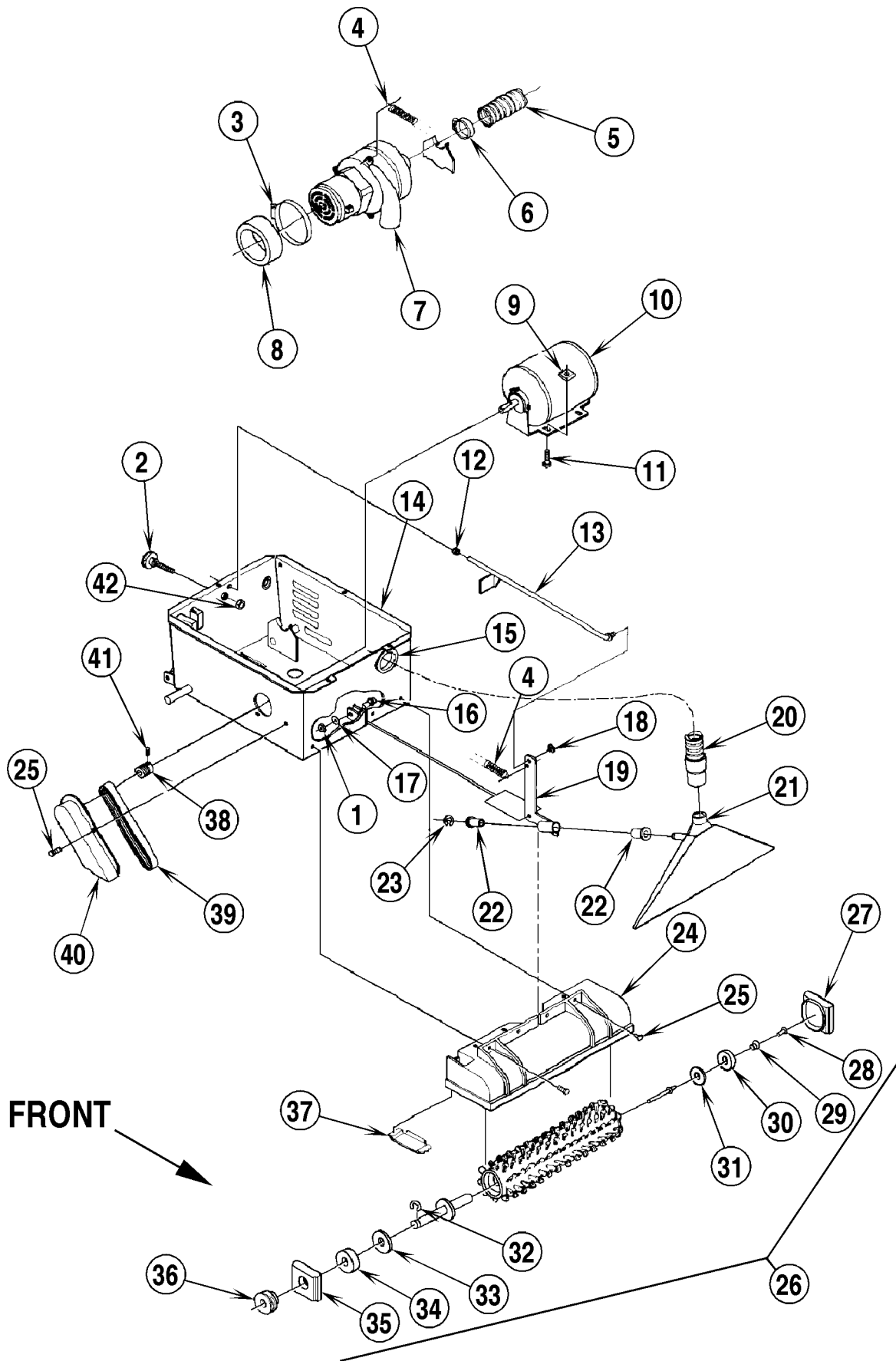
- * Use the 8 digit numbers from the "Ref. No." columns in this parts list.
- * Specify the model and serial number of the machine.
- * Use the space below to record the model and serial number for future reference.

Model _____ Serial No. _____



Item	Ref. No.	Qty	Description
1	56262563	1	Power Cord 120V
2	56009012	2	10-24 x .38 HP5 Screw
3	56442011	1	P-Clamp
4	56262655	1	Clevis TSB 664
5	56014781	1	Decal, Caution
6	56262570	1	Cable Guide
7	56262533	1	Tube
8	56262554	1	Handle
9	56262543	1	Cable
10	56344346	3	Cable Clamp
11	56262653	2	Flange Bushing
12	56002220	5	5/16 Flat Washer
13	56003005	2	5/16-18 x 1.75 Screw
14	56009190	2	Scr, Truss Phil 5/16-18 x .75
15	56262527	1	Latch
16	56320595	2	Bushing
17	56002098	4	1/4 Flat Washer
18	56009033	4	1/4-20 x .50 HP5 Screw
19	56002826	5	5/16-18 Nut
20	56262636	1	Base
21	56171550	1	9 Amp Circuit Breaker
*	56009112	1	3/8 Shakeproof Washer
22	56260071	1	Terminal Block
23	56009176	1	Scr, Hex Thd Form 10-24 x 1.00
*	56002768	1	10-24 Hex Nut
24	56262551	2	Switch
25	56262518	1	Hook, Cord
26	56009029	2	Scr, Pan Phil Thd Form 10-24 x .38
27	56249505	2	Wheel
28	56009097	2	Cap
29	56262167	2	Spacer
30	56009095	1	1/2-14 Lock Nut
31	56323135	1	Strain Relief
32	56262595	1	Strap
33	56342319	2	P-Clamp
34	56168786	1	13 Amp Circuit Breaker
*	56009112	1	3/8 Shakeproof Washer
35	56262553	1	Handle
36	56002370	2	Wing Nut
37	56009113	2	Bolt
38	56262535	1	Strain Relief
39	56014663	1	Decal, Instruction
40	56262184	1	Wearpack
41	56262193	3	Stud
42	56009132	6	Nut, Push Cap

* = Not Shown



01-9

BASE AND BRUSH

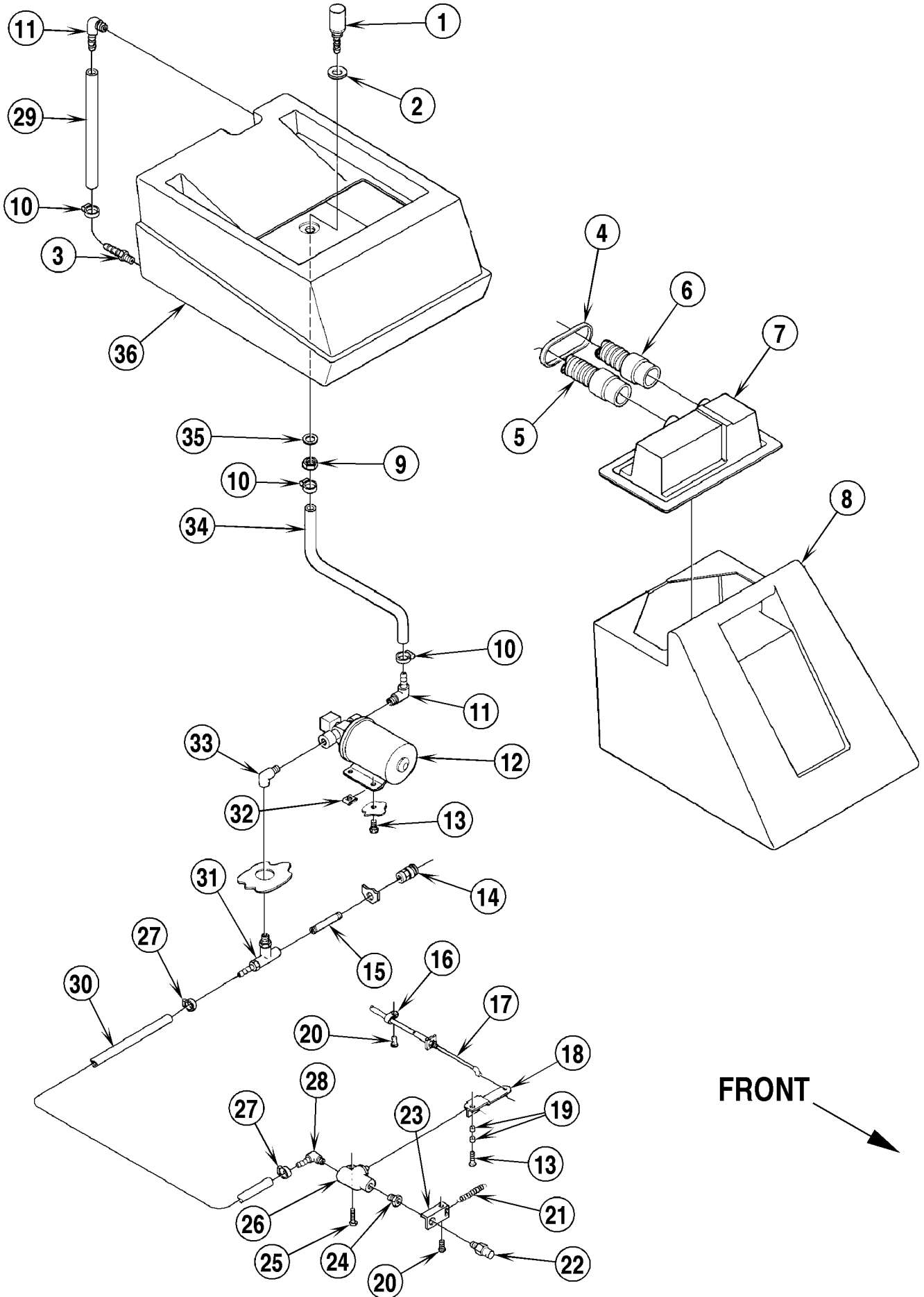
02-1

AquaClean™ Classic**5**

Item	Ref. No.	Qty	Description
1	56002826	1	5/16-18 Hex Nyl Loc Nut Thin
2	56262635	1	Knob Assembly
3	56352829	1	Clamp
4	56398606	1	Spring
5	56262211	1	Vacuum Hose
6	56329145	1	Hose Clamp
7	56262656	1	Vacuum Motor 120V
*	56260950	1	Carbon Brush Set for Motor
8	56262598	1	Foam
9	56262546	3	5/16-18 Clamp Nut
10	56238148	1	Brush Motor 120V
11	56002037	3	5/16-18 x .88 Screw
12	56329098	1	Bushing
13	56262521	1	Rod
14	56262636	1	Base
15	56262531	1	Grommet
16	56002962	1	5/15-18 x .62 Shoulder Screw
17	56002220	1	5/16 Flat Washer
18	56003262	1	Retaining Ring
19	56262666	1	Arm
20	56392170	1	Recovery Hose
21	56262665	1	Vacuum Tool
22	56171095	2	Bearing
23	56003265	1	Retaining Ring
24	56262597	1	Brush Housing
25	56009012	8	10-24 x .38 HP5 Screw
26	56262650	1	Brush Assembly (#27- 36)**
27	56262648	1	Left Bearing Block
28	56003056	1	10-24 x .62 SS Phil Flat Hd Screw
29	56262649	1	Plug, Bearing
30	56262626	1	Left Bearing
31	56262646	1	Washer, Bearing
32	56003256	1	Retaining Ring
33	56262645	1	Washer, Bearing
34	56372773	1	Right Bearing
35	56262647	1	Right Bearing Block
36	56262559	1	Sheave
37	56264459	1	Guard
38	56262558	1	Sheave
39	56327476	1	Belt
40	56262557	1	Belt Guard
41	56009131	1	5/16-18 x .31 Set Screw
42	56002841	1	Nut, Hex Nyl Loc-Thin 3/8-16

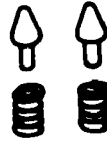
* = Not Shown

** = Brush Core and Spindles are not available for field replacement.

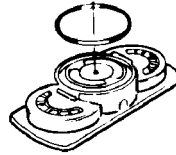


Item	Ref. No.	Qty	Description
1	56368725	1	Screen
2	56368776	1	Rubber Washer
3	56409507	1	Barb
4	56477613	2	Tie
5	56262211	1	Vacuum Hose
6	56392170	1	Recovery Hose
7	56262583	1	Cover Assembly
*	56262576	1	Replacement Gasket for Cover
8	56262581	1	Recovery Tank
9	56009099	1	5/8-18 Nut
10	56219932	3	Hose Clamp
11	56900069	2	Elbow Barb
12	56262117	1	Pump 120V Note 1
*	56264436	1	By-Pass Kit for Pump
*	56264435	1	Check Valve Kit for Pump
*	56249834	1	Diaphragm Kit for Pump
13	56009039	3	10-24 x 1/2 HP5 Screw
14	56262613	1	Quick Disconnect
15	56262712	1	Nipple
16	56481890	1	P-Clamp
17	56262543	1	Cable
18	56262654	1	Lever
19	56151092	2	Bushing
20	56009012	2	10-24 x .38 HP5 Screw
21	56330178	2	Spring
22	56262544	1	Nozzle
23	56262538	1	Support
24	56750677	1	Adapter
25	56009176	1	Scr, Hex Thd Form 10-24 x 1.00
26	56262596	1	Valve
27	56756364	2	Hose Clamp
28	56900285	1	Elbow Barb
29	56262663	1	Hose
30	56249342	1	Tube
31	56262641	1	Tee
32	56328855	2	Spring Nut
33	56900021	1	Elbow
34	56262180	1	Hose
35	56002022	1	5/8 Flat Washer
36	56262657	1	Solution Tank

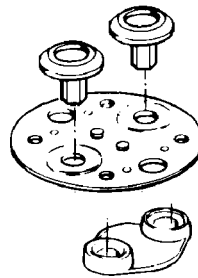
Note 1: The repair kits shown below are available for the pump item 12.



By-Pass Kit: PN 264436

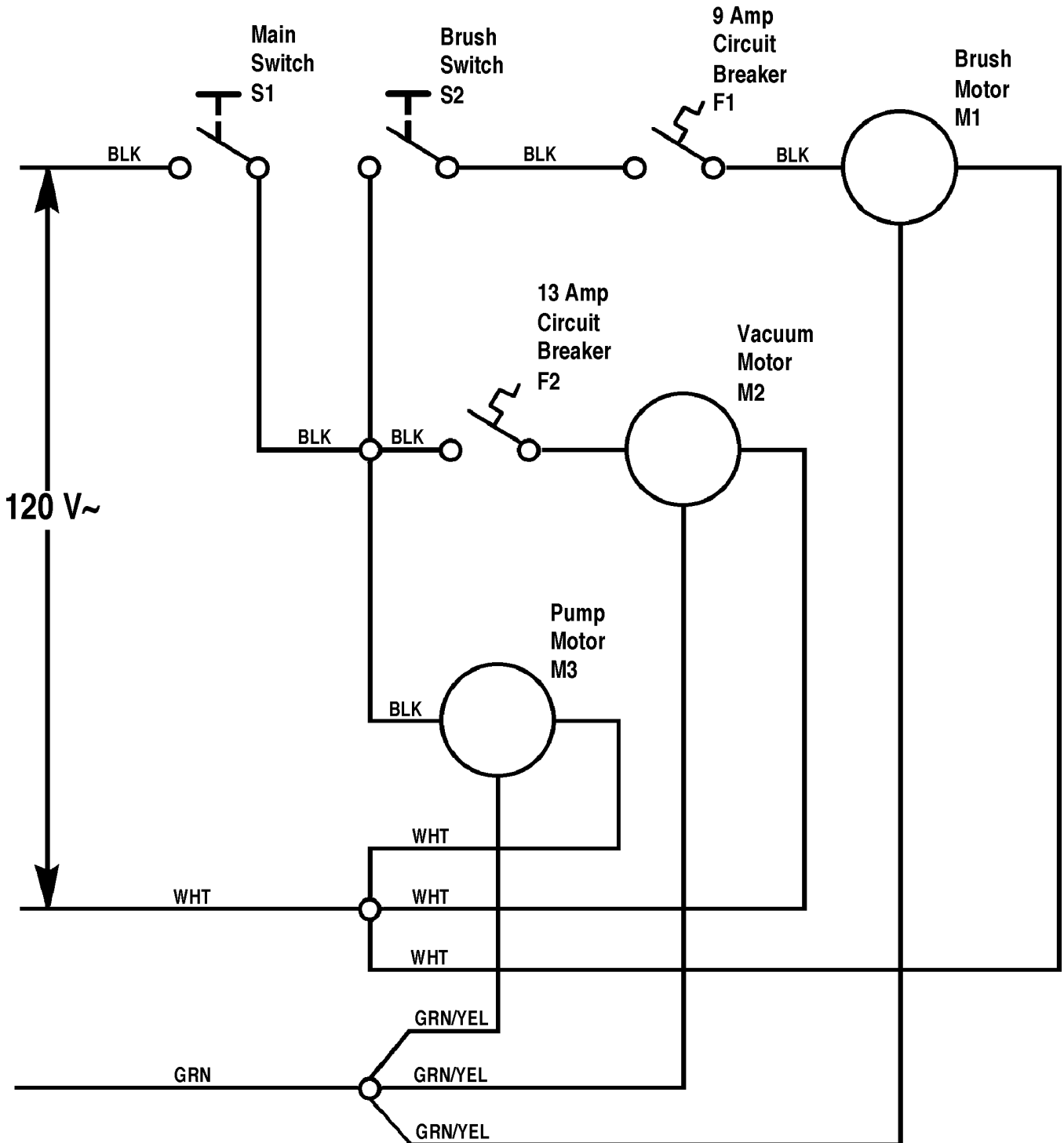


Check Valve Kit: PN 264435



Diaphragm Kit: PN 249834

* = Not Shown



Item Ref. No. Qty Description

F1	56171550		9 Amp Circuit Breaker
F2	56168786		13 Amp Circuit Breaker
M1	56238148		Brush Motor
M2	56262656		Vacuum Motor
M3	56262117		Pump Motor
S1	56262551		Main Switch
S2	56262551		Brush Switch
*	56260071		Terminal Block

* = Not Shown



Nilfisk-Advance, Inc.
14600 21st Avenue North
Plymouth, MN, 55447-3408
www.nilfisk-advance.com
Phone: 800-989-2235
Fax: 800-989-6566
©2001 Nilfisk-Advance, Inc.,
Plymouth, MN 55447-3408
Printed in the U.S.A.