



Electronic Service Manuals

This electronic document is provided as a service to our customers. We do not create the contents of the information contained in this document. Should you have detailed questions pertaining to the information contained in this document, you may contact Michco, or the manufacturer which provided the original information in this electronic deliverable. Michco's only part in this electronic deliverable was the electronic assembly process.

You may contact Michco through the following methods:
Phone (517) 484-9312 or (800) 331-3339 MI, OH, IN only
2011 N. High St. -- Lansing, Michigan -- 48906
Fax: (517) 484-9836
Email: CustServ@Michco.com
Web site: www.Michco.Com
Parts Web site: www.FloorMachineParts.Com

Order Parts on Line at:
www.FloorMachineParts.Com

Directly to Parts & Service:
By Email: **Shop@Michco.com**
By Fax: (517) 702-2041
By Voice: Use numbers above.

Serving the Cleaning Industry Since 1922

Notice: All copyrighted material remains property of original owners, all trademarks are property of respective owners. Manuals are subject to Manufacturer's reproduction limitations. Originals or reproductions were provided by manufacturers through a request. We make no warranty as to the correctness of information provided in this document and you assume all risk.

**MOBILMATIC 17
115 & 230V**

**SERIAL NO. 884887
FORM NO. 042067
(Rev.) MAY 1982**

PARTS LIST

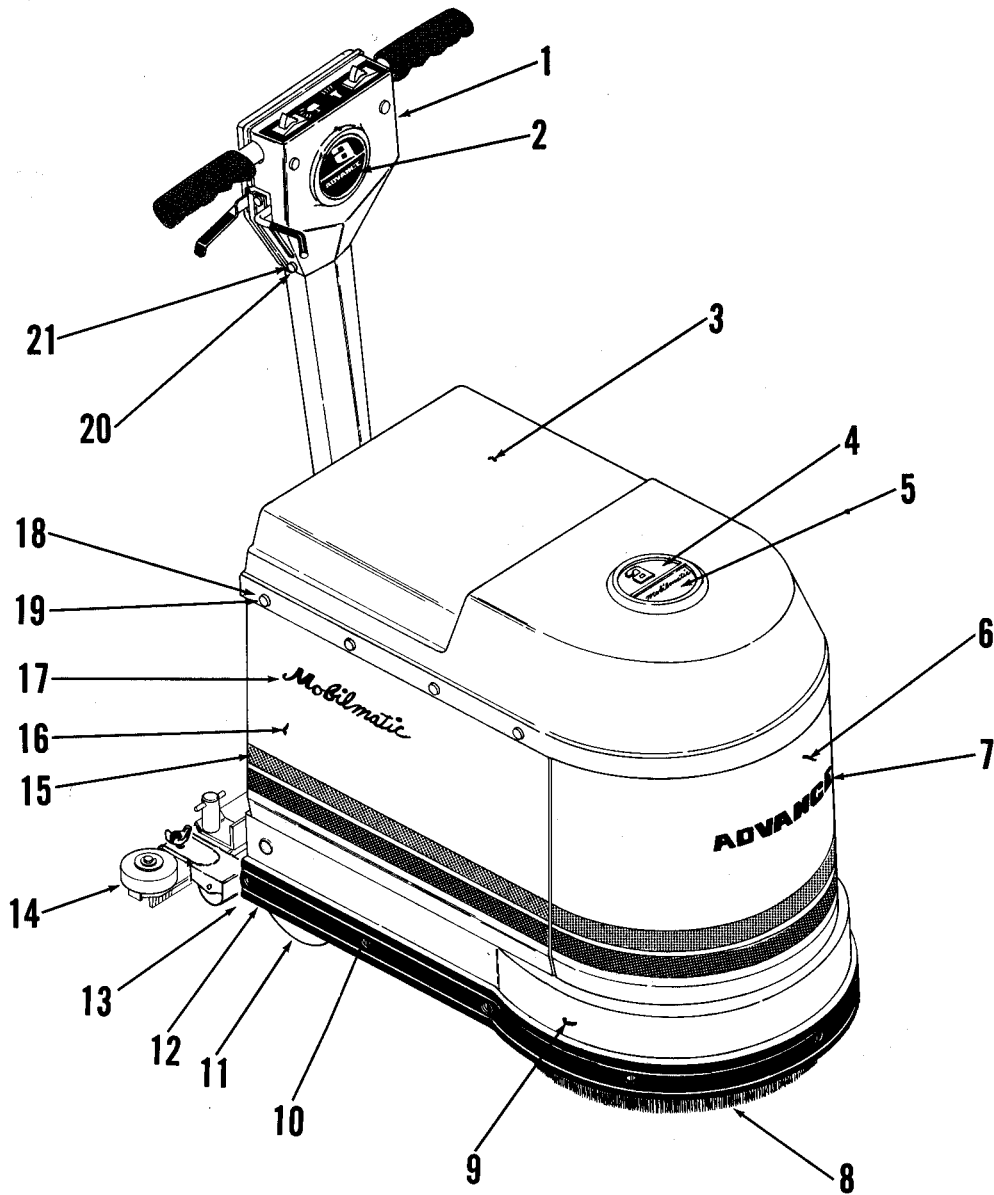


ADVANCE
MACHINE COMPANY
INTERNATIONAL HEADQUARTERS, Spring Park, Minnesota 55384 USA
EUROPE, 4 Rue Jean Engling, L - 1466 Luxembourg
CANADA, 1295 Crestlawn Drive, Mississauga, Ontario L4W 1A9



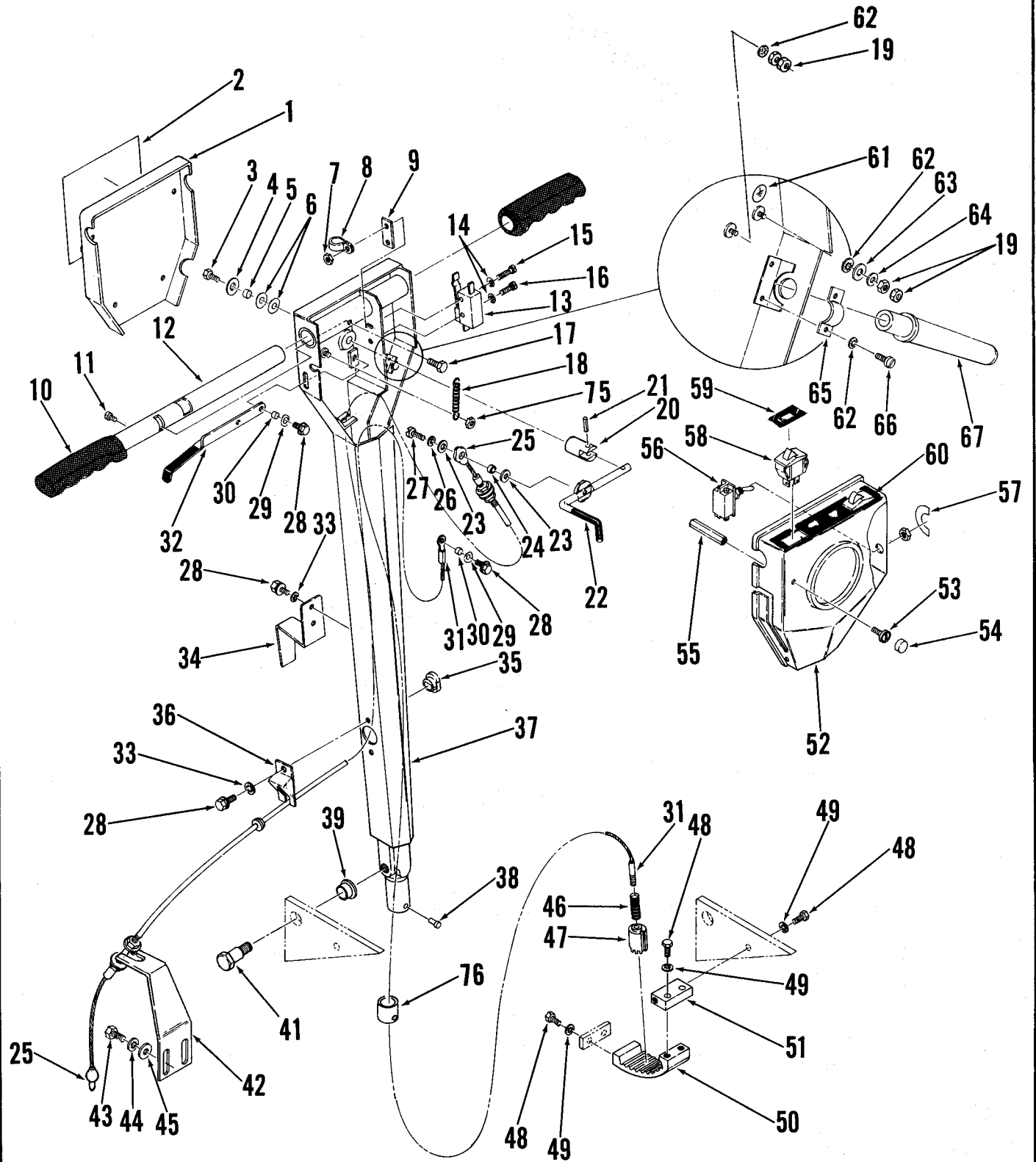
INDEX FOR FORM NUMBER 042067

<u>Description</u>	<u>Location</u>	<u>Page</u>
Brush Drive	F1	8
Cover	E11	4
Handle	E9	2
Outer Body	E8	1
Solution Valve	F6	13
Squeegee	F3	10
Vacuum Motor & Tanks, 115 Volt	E13	6
Vacuum Motor (internal parts)	F7	14
Vacuum Motor & Tanks, 230 Volt	F9	16
Wheels & Adjustment Linkage	F5	12
Wiring Diagram	F8	15



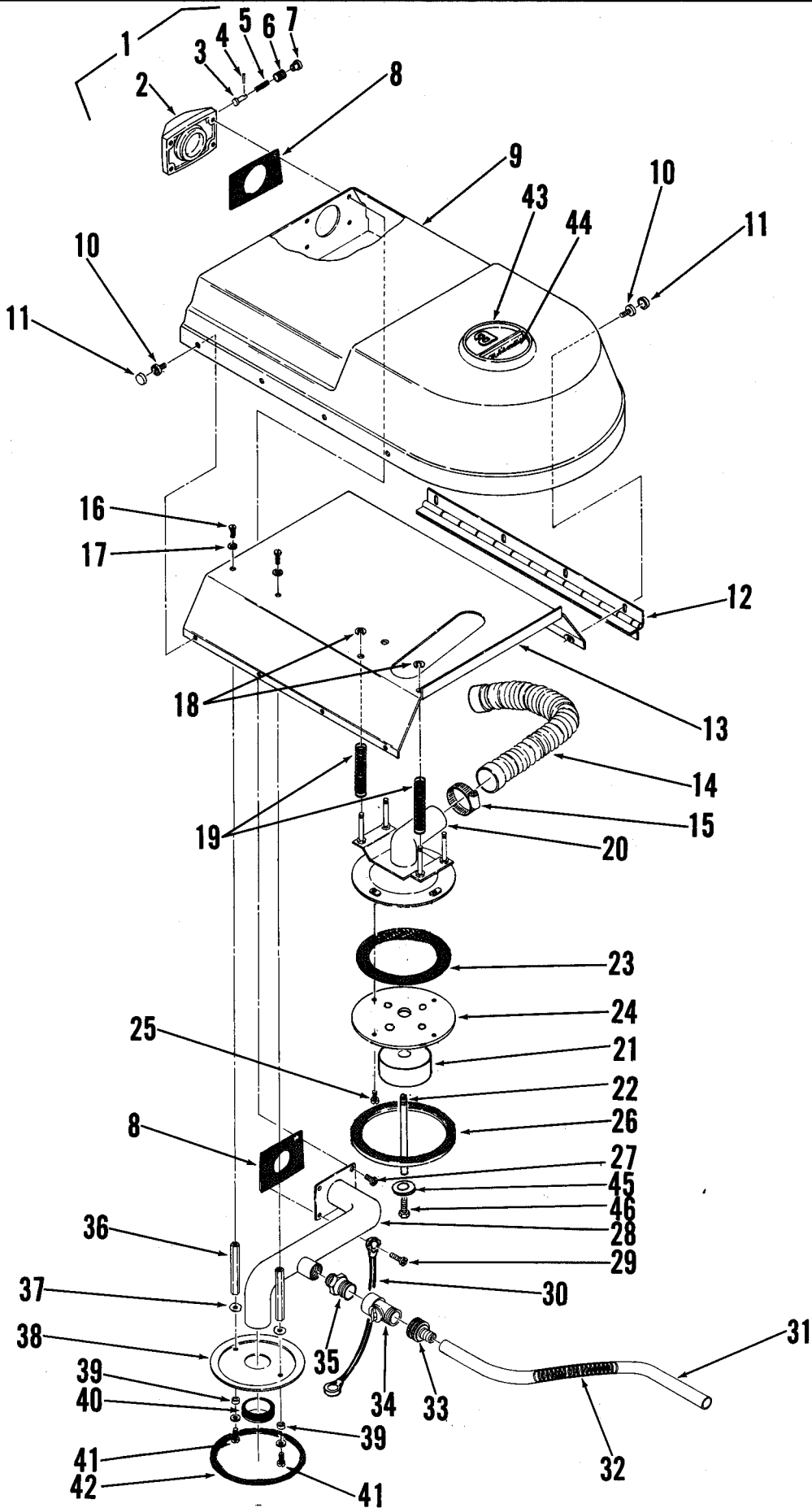
ITEM	PART NO	QTY	DESCRIPTION
1	387 265	1	HANDLE ASSEMBLY 115 V ONLY
	387 264	1	HANDLE ASSEMBLY 230 V ONLY
2	017 019	1	DECAL, ADVANCE
3	387 400	1	COVER ASSEMBLY
4	016 398	1	EMBLEM, ADVANCE
5	018 312	1	DECAL, INSERT "MOBILMATIC"
6	387 360	1	TANK ASSEMBLY, SOLUTION
7	016 519	1	DECAL, ADVANCE
8	387 312	1	BRUSH, BASSINE 17"
9	387 022	1	BASE
10		10	SCREW, PHILLIPS #10-24 x 3/8 TCS
11	387 228	2	WHEEL 5.00
12	387 514	1	BUMPER
13	387 516	1	STRAP, BUMPER
14	382 350	1	SQUEEGEE ASSEMBLY
15	023 216	2	DECAL, STRIPE
16	387 280	1	TANK ASSEMBLY, RECOVERY
17	018 300	2	DECAL, "MOBILMATIC"
18		8	SCREW, PAN HD. #10-24 x 3/8
19	387 192	8	SNAP-CAP
20		10	SCREW, PAN HD. #8-32 x 1/2
21	387 190	10	SNAP-CAP

HOUSING ASSEMBLY



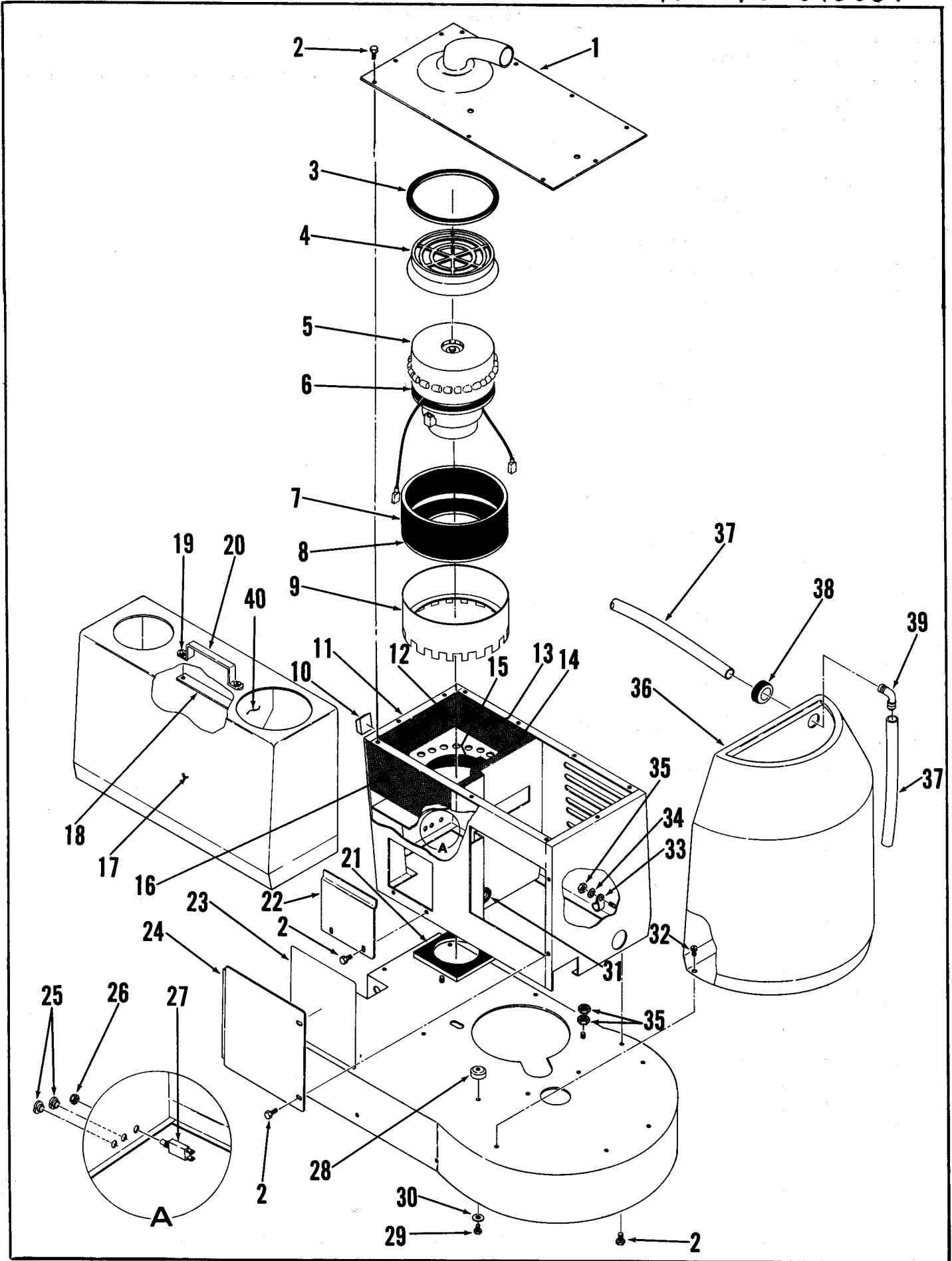
CONTROL HANDLE ASSEMBLY

ITEM	PART NO	QTY	DESCRIPTION	ITEM	PART NO	QTY	DESCRIPTION
1	387 352	1	SHROUD, BOTTOM ASSEMBLY	75		1	NUT, ACORN #8-32
2	018 314	1	DECAL, WARNING	76	171 269	1	BUSHING
3		1	SCREW, HEX HD. 1/4-20 x 1/2				
4	371 009	1	WASHER				
5	328 758	1	BUSHING				
6	163 767	2	WASHER, SPRING 3/8				
7		1	HEX NUT #6-32				
8	300 152	2	CLAMP, CORD				
9	385 747	1	PLATE, NUT				
10	514 085	2	GRIP, HANDLE				
11		1	SCREW, PAN HD. #8-32 x 1/4				
12	387 236	1	TUBE, HANDLE				
13	171 225	1	SWITCH, SNAP SPST N.C.				
14		2	WASHER, SHAKEPROOF #6				
15		1	SCREW, PAN HD. #6-32 x 1.00				
16		1	SCREW, PAN HD. #6-32 x 7/8				
17	234 079	1	SCREW				
18	445 177	1	SPRING, EXTENSION				
19		4	NUT, HEX #8-32				
20	387 252	1	HINGE BLOCK				
21		1	PIN, SPRING 1/8 x 3/4				
22	387 248	1	LEVER				
23		2	WASHER, FLAT 1/4				
24	206 784	1	BUSHING				
25	387 378	1	CABLE ASSEMBLY 38.00				
26		1	WASHER, SHAKEPROOF 1/4				
27		1	SCREW, PAN HD. 1/4-20 x 3/4				
28		8	SCREW, HEX WASHER HD. #10-24 x 3/8				
29	150 150	2	WASHER, SPRING				
30	151 092	2	BUSHING				
31	384 909	1	WIRE ROPE ASSEMBLY 35.00				
32	387 052	1	LEVER				
33		6	WASHER, SHAKEPROOF #10				
34	172 213	2	HOOK, CORD				
35	382 817	2	RELIEF, STRAIN				
36	387 056	1	BOX				
37	387 244	1	HANDLE, CONTROL				
38		1	DRIVE SCREW #4 x 1/4				
39	171 095	1	BEARING, FLANGE				
41	171 097	2	BOLT, SHOULDER				
42	387 382	1	BRACKET, CABLE MOUNTING				
43		2	SCREW, HEX HD. 5/16-18 x 1/2				
44		2	WASHER, SHAKEPROOF 5/16				
45		2	WASHER, FLAT 5/16				
46	171 123	1	SPRING, COMPRESSION				
47	171 132	1	PLUNGER				
48		6	SCREW, HEX HD. 1/4-20 x 7/8				
49		6	WASHER, SHAKEPROOF 1/4				
50	171 104	1	RATCHET				
51	387 258	1	BAR				
52	387 354	1	SHROUD, TOP ASSEMBLY				
53		9	SCREW, PAN HD. #8-32 x 1/2				
54	387 190	10	CAP, SNAP				
55	387 146	2	SPACER, HEX 3/8				
56	301 636	1	SWITCH, TOGGLE - 230 V				
	207 075	1	SWITCH, TOGGLE - 115 V				
57	018 310	1	DECAL, ON-OFF				
58	325 140	2	SWITCH, ROCKER SPST				
59	018 324	2	DECAL, ON-OFF				
60	018 308	1	DECAL				
61	014 119	1	DECAL, GROUND SYMBOL				
62		4	WASHER, SHAKEPROOF #8				
63	325 276	1	WASHER, FLAT				
64	325 274	1	WASHER, CUPPED				
65	300 542	1	CLAMP, CORD				
66		3	SCREW, PAN HD. #8-32 x 3/8				
67	301 396	1	STRAIN RELIEF				
68	330 871	1	CORD SET 115V (NOT SHOWN)				
	382 331	1	CORD SET 230V (NOT SHOWN)				
69	300 187	1	CLIP BELT (NOT SHOWN)				
70	322 504	1	NUT, SPRING (NOT SHOWN)				
71		1	SCREW, PAN HD. #6-32 x 3/8 (NOT SHOWN)				
72	387 222	1	CORD ASSEMBLY (SEE ELEC. SCHEMATIC)				
73	387 220	1	CORD ASSEMBLY (SEE ELEC. SCHEMATIC)				
74	478 246	2	CABLE TIE (NOT SHOWN)				



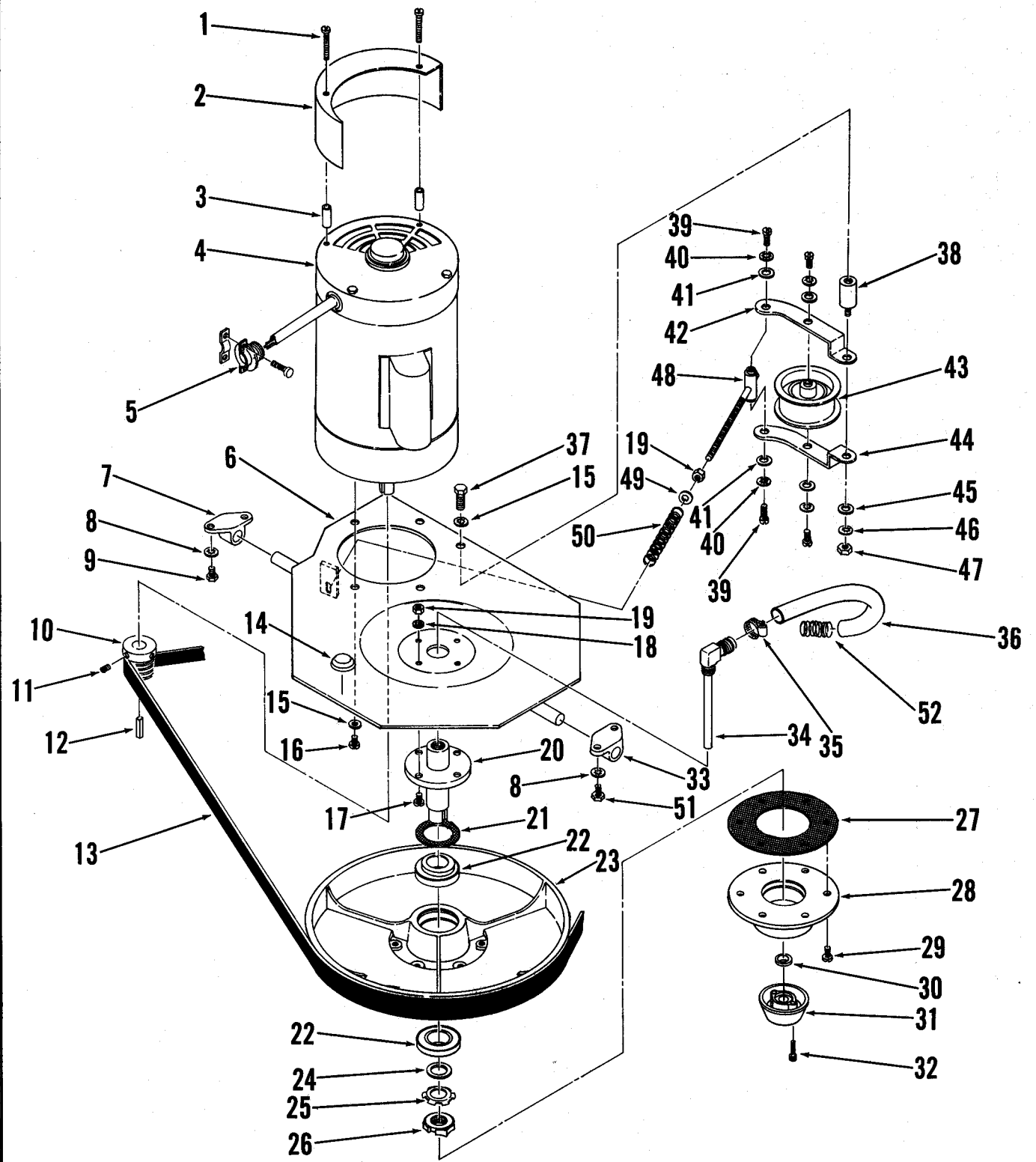
COVER ASSEMBLY

ITEM	PART NO	QTY	DESCRIPTION
1	201 386	1	CONNECTOR ASSEMBLY C/O
2	201 377	1	CONNECTOR
3	201 391	1	PIN
4	201 472	1	PIN
5	201 448	1	SPRING
6	201 383	1	SOCKET
7	201 405	1	KNOB
8	201 390	2	GASKET
9	387 070	1	COVER
10		8	SCREW, PAN HD. #10-24 x 3/8
11	387 192	8	SNAP CAP
12	387 188	1	HINGE, COVER
13	387 180	1	SUPPORT, COVER
14	387 342	1	HOSE, VAC
15	329 145	1	CLAMP, HOSE
16		2	SCREW, PAN HD. #10-24 x 1/2
17		2	WASHER, SHAKEPROOF
18	321 125	4	RING, RETAINING EXT. 1/4
19	387 326	4	SPRING, COMPRESSION
20	387 362	1	FLOAT ASSEMBLY
21	387 398	1	FLOAT, FOAM
22	387 412	1	ROD
23	209 325	1	GASKET
24	387 418	1	PLATE ASS'Y., 115V
	387 416	1	PLATE ASS'Y., 230V
25	387 226	4	SCREW, S.S #8 x 3/8 N.C
26	387 268	1	GASKET
27	209 578	3	SCREW, S.S. #10 x .75 ST
28	387 402	1	TUBE WELDMENT
29	209 521	1	SCREW, S.S. #10 x 1.00 ST
30	325 240	1	WIRE ROPE ASSEMBLY
31	387 300	1	TUBE PVC 1/2 x 15"
32	387 296	2	SPRING .480 x 7.00
33	387 310	1	BARB
34	756 404	1	VALVE 2-WAY
35	244 980	1	ADAPTOR, NYLON
36	387 142	2	SPACER, HEX 3/8
37	150 150	2	WASHER, SPRING .265
38	387 356	1	PLATE ASSEMBLY
39	375 334	2	BUSHING
40	344 621	1	GROMMET 1 1/2
41	209 485	2	SCREW, S.S #10-24 x 1/2 N.C
42	387 270	1	GASKET
43	016 398	1	EMBLEM, ADVANCE
44	018 312	1	DECAL, INSERT "MOBILMATIC"
45	387 414	1	WASHER, BRASS
46	209 488	1	SCREW, S.S. #10-24 x .437



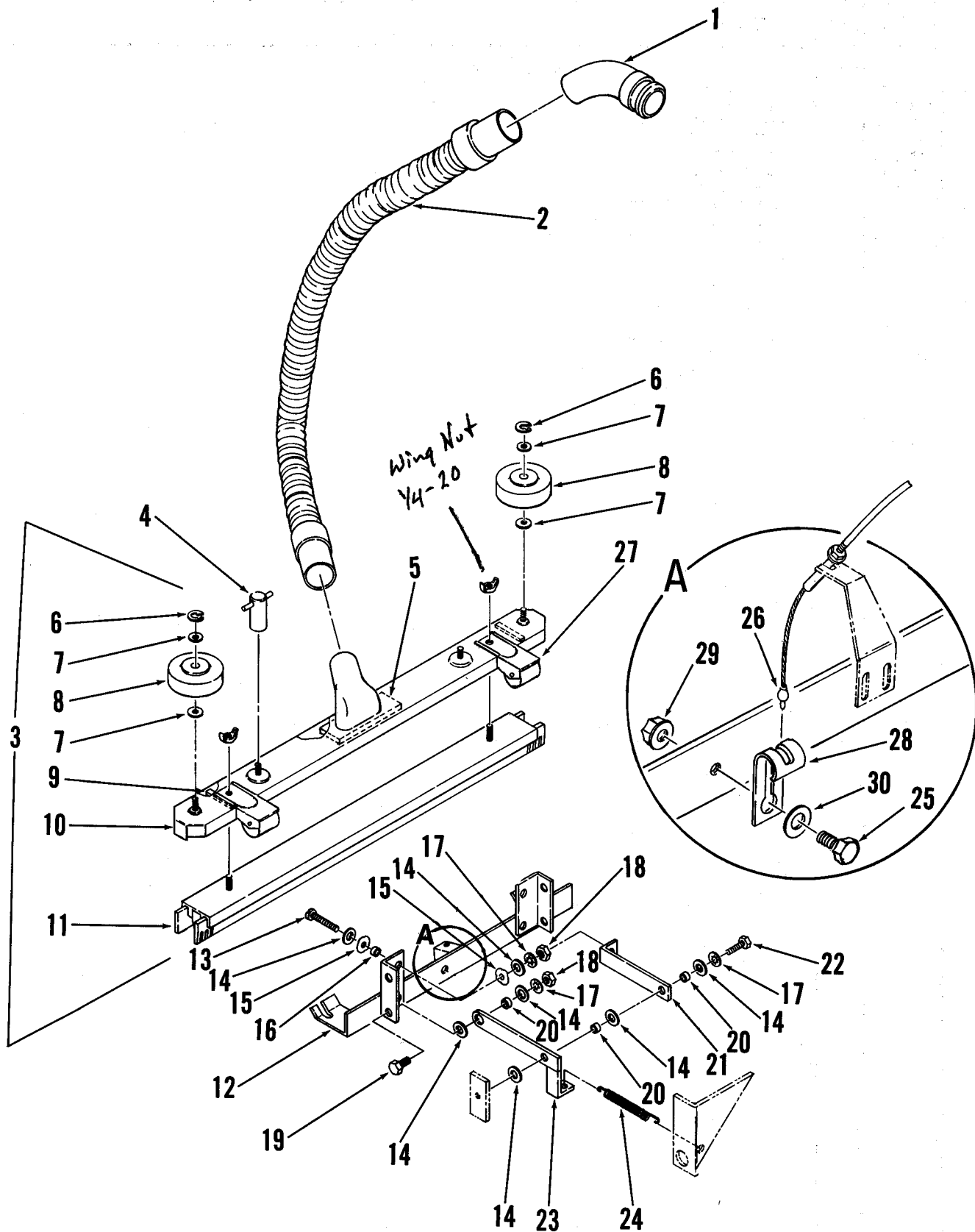
VACUUM MOTOR & HOUSING ASSEMBLY

ITEM	PART NO	QTY	DESCRIPTION
1	387 160	1	COVER
2		21	SCREW, HEX HD. #10-24 x 3/8
3	385 437	1	GASKET
4	384 898	1	FILTER, VACUUM MOTOR
5	207 195	1	MOTOR, VACUUM 115V ONLY
	202 290	1	MOTOR, VACUUM 220V ONLY
6	209 325	1	GASKET
7	387 206	1	FOAM, ACCOUSTICAL
8	387 208	1	FOAM, ACCOUSTICAL
9	387 102	1	RING
10	402 940	1	BUMPER
11	387 154	1	FRAME, VAC MOTOR
12	387 212	1	FOAM, ACCOUSTICAL
13	387 202	1	FOAM, ACCOUSTICAL
14	387 204	1	FOAM, ACCOUSTICAL
15	387 210	1	FOAM, ACCOUSTICAL
16	387 200	1	FOAM, ACCOUSTICAL
17	387 280	1	TANK, RECOVERY- ASSEMBLY
18	387 278	1	NUT PLATE
19		2	SCREW, RD. HD. BRASS 1/4-1/2
20	360 791	1	HANDLE, TANK
21	209 481	1	FOAM, SOUND REDUCTION
22	387 330	1	DOOR, ACCESS
23	018 318	1	DECAL, WIRING
24	387 114	1	DOOR, ACCESS
25	382 817	1	RELIEF, STRAIN
26	171 541	1	NUT, HEX 3/8-17
27	387 316	1	CIRCUIT BREAKER (115V ONLY)
	387 328	1	CIRCUIT BREAKER (230V ONLY)
28	387 250	2	STUD
29		2	SCREW, HEX HD. #10-24 x 5/8
30	203 874	2	WASHER
31	157 376	1	GROMMET .734
32		4	SCREW, RD. HD. BRASS 1/4-20 x 1/2
33	442 011	1	CLAMP, CABLE
34		4	WASHER, SHAKEPROOF #10
35		5	NUT, HEX #10
36	387 360	1	TANK ASSEMBLY, SOLUTION
37	387 300	2	TUBE, PVC 1/2 x 15.00
38	760 212	2	GROMMET
39	387 020	1	ELBOW
40	387 282	1	BAFFLE



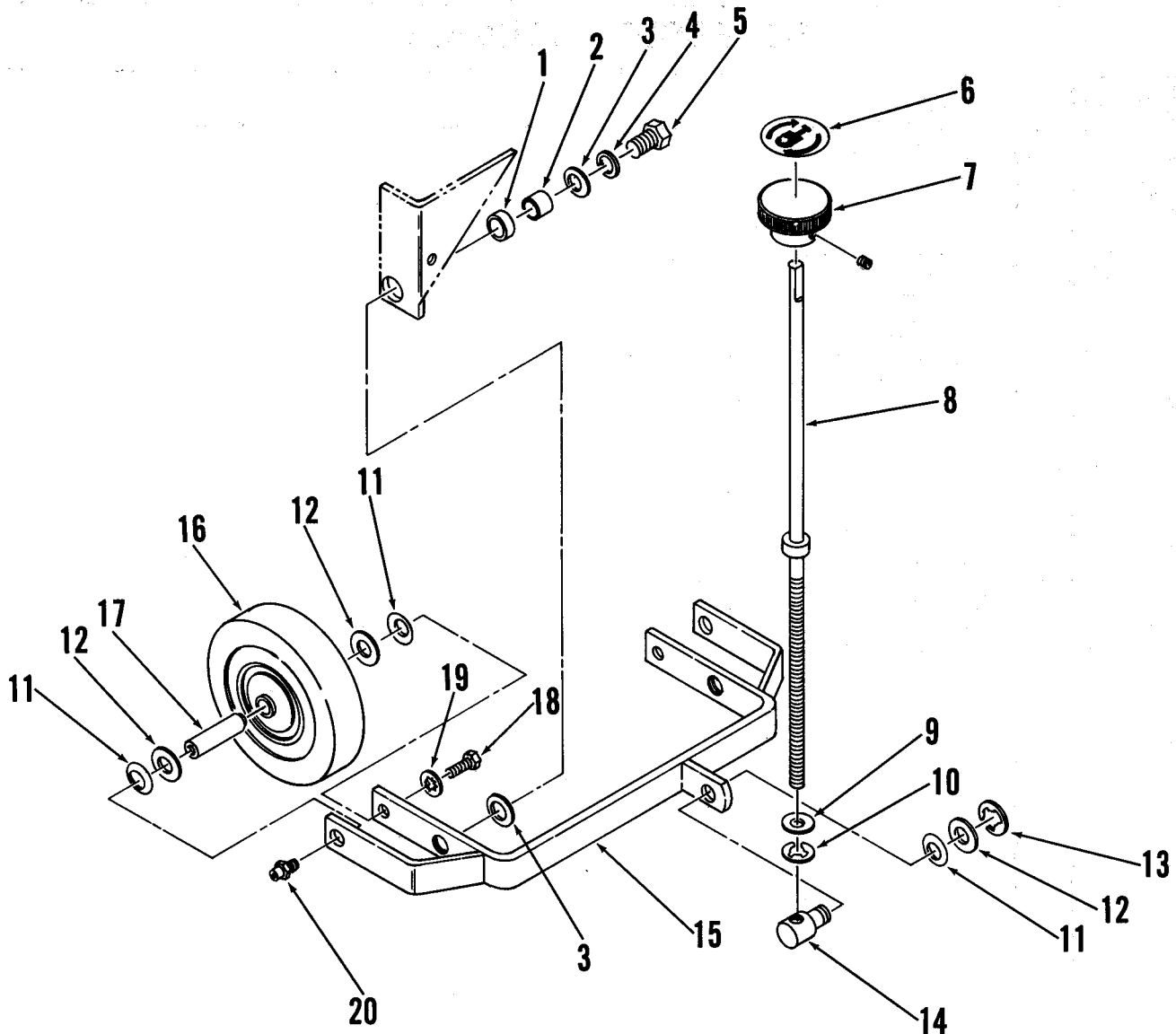
DRIVE ASSEMBLY

ITEM	PART NO	QTY	DESCRIPTION
1		2	SCREW, PAN HD. #10-24 x 1 1/2 (115V only)
2	387 322	1	SHROUD, MOTOR (115V only)
3	468 553	2	BUSHING (115V only)
4	387 014	1	MOTOR 3/4HP 115V
	387 016	1	MOTOR 3/4HP 230V
5	743 336	1	BOX CONNECTOR
6	387 090	1	PLATE, MOTOR
7	387 304	1	AXLE, BLOCK RT.
8		4	WASHER, SHAKEPROOF 1/4
9		2	SCREW, HEX HD. 1/4-20 x 5/8
10	171 088	1	SHEAVE (115V ONLY)
	171 414	1	SHEAVE (230V ONLY)
11		2	SCREW, SOCKET SET 1/4-20 x 1/4
12	443 719	1	KEY, SQUARE
13	171 200	1	BELT, POLY-V
14	402 940	1	BUMPER
15		5	WASHER, SHAKEPROOF 3/8
16	387 120	4	SCREW, BUT. HD. 3/8 x 3/4
17		4	SCREW, FLAT HD. 5/16 x 3/4
18		4	WASHER, SHAKEPROOF 5/16
19		5	NUT, HEX
20	387 170	1	STUD
21	171 078	1	SEAL, SHAFT
22	378 267	2	BEARING TRCN 1.000
23	171 376	1	PULLEY, FLAT
24		1	WASHER, FLAT 3/4 (.807 x 1.50 x .18)
25	378 176	1	LOCKWASHER
26	378 174	1	LOCKNUT
27	158 275	1	GASKET
28	387 112	1	DRIVE CAP
29		6	SCREW, FLAT HD. #12-24 x 5/8
30	387 018	1	LIP, RADIAL
31	387 116	1	PILOT
32		2	SCREW, SOCKET HD. #10 x 1"
33	387 306	1	AXLE, BLOCK LT.
34	387 066	1	TUBE
35	219 932	1	CLAMP, HOSE
36	387 302	1	HOSE
37		1	SCREW, HEX HD. 3/8 x 3/4
38	387 178	1	SPACER, STUD
39		4	SCREW, PAN HD. #10 x .31
40		4	WASHER, SHAKEPROOF #10
41		4	WASHER, FLAT #10
42	386 282	1	BRACKET
43	171 178	1	IDLER ASSEMBLY
44	386 284	1	BRACKET
45		1	WASHER, FLAT
46		1	WASHER, SHAKEPROOF 1/4
47		1	NUT, HEX 1/4-20
48	386 273	1	LINKAGE
49		1	WASHER, FLAT 5/16
50	171 177	1	SPRING, COMPRESSION
51		2	SCREW, HEX HD. 1/4-20 x 1/2
52	387 296	1	SPRING

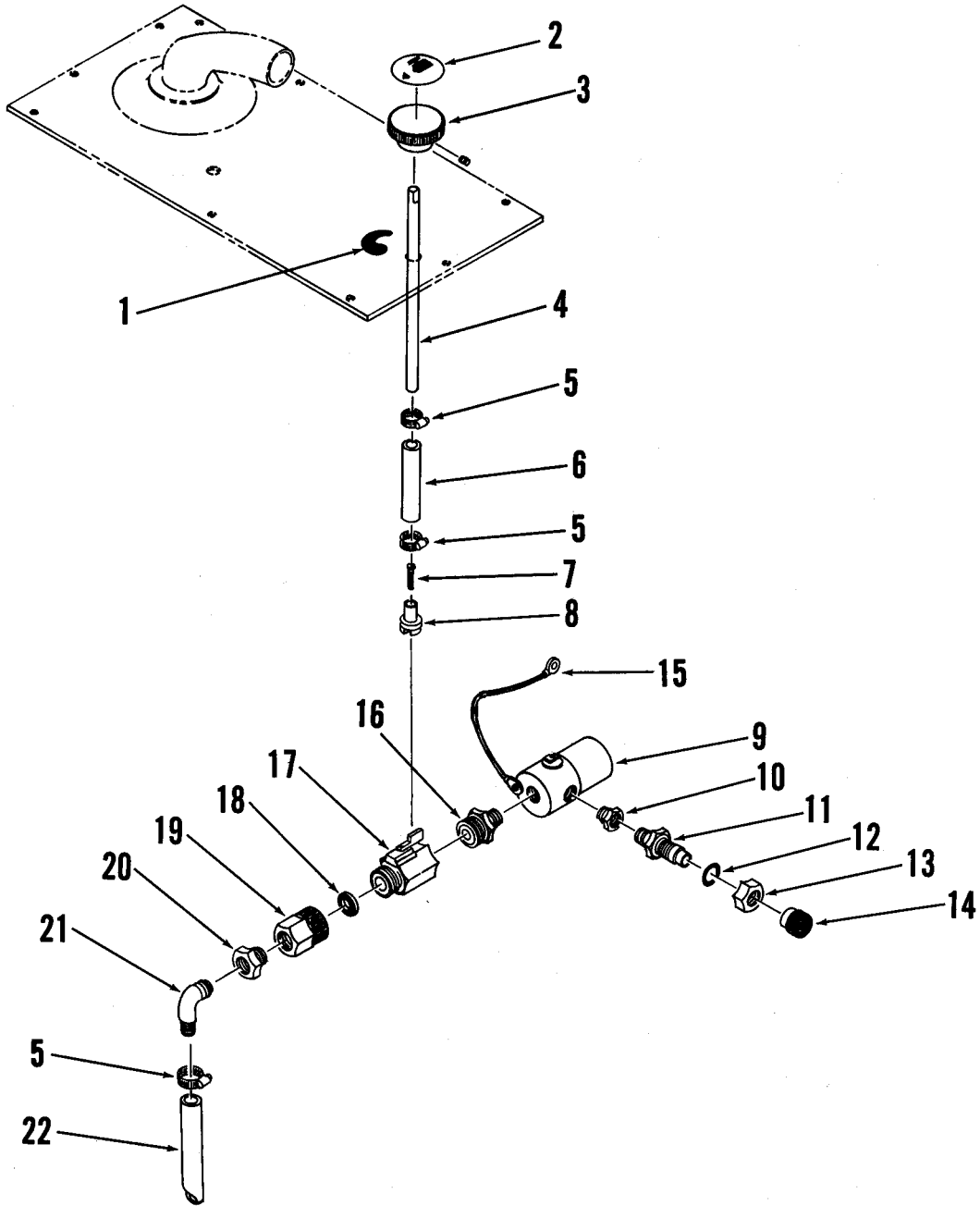


SQUEEGEE ASSEMBLY

ITEM	PART NO	QTY	DESCRIPTION
1	370 592	1	ADAPTOR, HOSE
2	387 308	1	HOSE ASSEMBLY
3	382 350	1	SQUEEGEE ASSEMBLY C/O
4	370 711	2	WING NUT
5	400 613	1	GASKET
6	157 066	2	RING, RETAINING
7	371 009	4	WASHER
8	363 855	2	WHEEL
9	400 614	2	GASKET
10	382 352	1	CHANNEL
11	382 356	1	SQUEEGEE CARTRIDGE TSB 590-68
12	381 810	1	MOUNT, PICK-UP TOOL
13		2	SCREW, RD. HD. 1/4-20 x 2 1/4
14	150 142	14	WASHER
15	163 880	4	WASHER, SPRING 1/4
16	206 784	2	BUSHING
17		6	WASHER, SHAKEPROOF 1/4
18		4	NUT, HEX 1/4-20
19		2	SCREW, HEX HD. 1/4-20 x 5/8
20	368 997	6	BUSHING
21	381 845	2	ARM, ADJUSTING
22		2	SCREW, HEX HD. 1/4-20 x 1.00
23	381 840	2	ARM, PIVOT
24	371 874	2	SPRING, EXTENSION
25		1	SCREW, HEX HD. 1/4-20 x 7/8
26	387 378	1	CABLE ASSEMBLY
27	387 376	2	ROLLER ASSEMBLY
28	387 380	1	CLEVIS
29		1	NUT, WHIZ 1/4-20
30		1	WASHER, FLAT 1/4

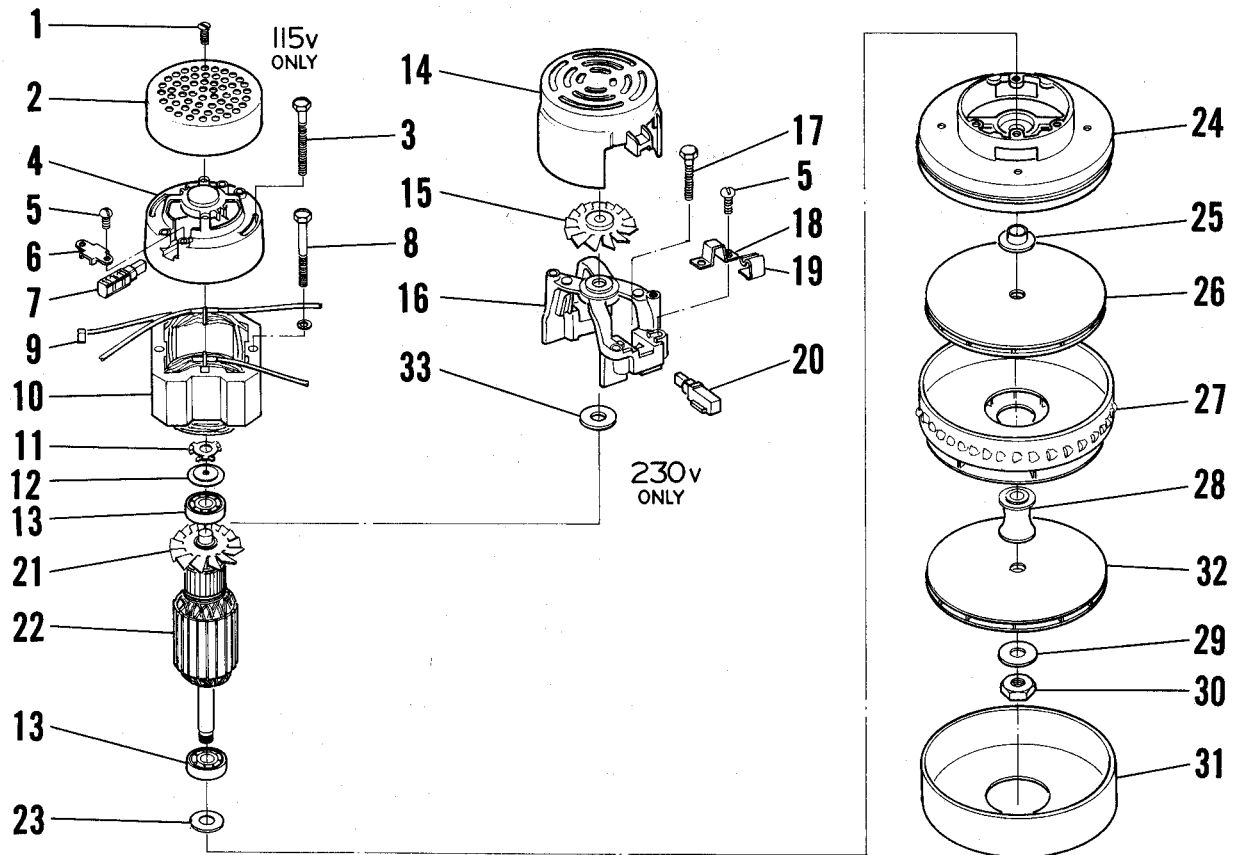


ITEM	PART NO	QTY	DESCRIPTION
1	478 781	2	SLEEVE, BEARING
2	360 627	2	BUSHING
3	367 214	4	WASHER .515 x .93 x .07
4		2	WASHER, LOCK 1/2
5		2	SCREW, HEX HD. 1/2-13 x 1"
6	018 306	1	DECAL
7	387 366	1	KNOB, ADJUSTMENT
8	387 218	1	ROD, ADJUSTMENT
9		1	WASHER, FLAT 3/8
10	321 427	1	RING, RETAINING 3/8 EXT.
11	151 373	5	WASHER, SPRING .515
12		2	WASHER, FLAT 1/2
13	468 834	1	RING, RETAINING 1/2
14	387 138	1	PIN
15	387 050	1	BRACKET, WHEEL ADJUSTMENT
16	387 228	2	WHEEL 5.00 x 1.25
17	387 046	2	AXLE
18		2	SCREW, HEX HD. 1/4-20 x 3/4
19		2	WASHER, SHAKEPROOF 1/2
20	101 737	1	FITTING, LUBE 1/4-28

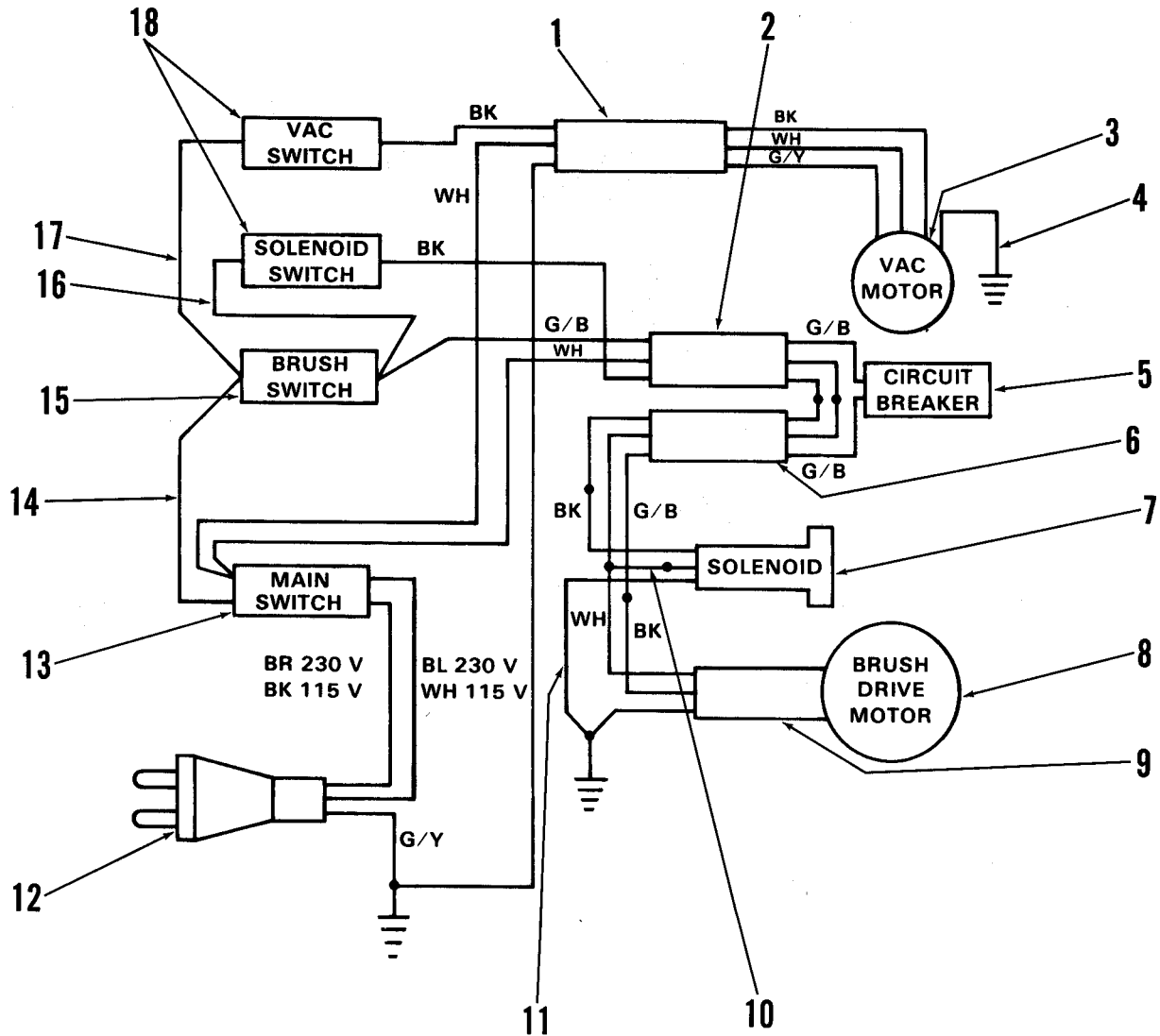


ITEM	PART NO	QTY	DESCRIPTION	ITEM	PART NO	QTY	DESCRIPTION
1	018 302	1	DECAL	19	740 152	1	ADAPTER
2	018 304	1	DECAL	20	751 687	1	BUSHING
3	387 368	1	KNOB ASSEMBLY	21	387 062	1	ADAPTER, HOSE
4	387 060	1	ROD	22	387 302	1	TUBE, PVC
5	219 932	3	CLAMP, HOSE				
6	387 214	1	TUBE, PVC				
7		1	SCREW, PAN HD. #10-32 x 3/8				
8	387 172	1	ADAPTER				
9	171 658	1	VALVE (115V ONLY)				
	171 688	1	VALVE (230V ONLY)				
10	750 363	1	BUSHING				
11	172 075	1	NIPPLE				
12	742 552	1	O-RING				
13	745 860	1	JAM NUT				
14	172 096	1	STRAINER				
15	387 286	1	WIRE ASSEMBLY				
16	387 226	1	ADAPTER				
17	387 162	1	VALVE SEGMENT				
18	740 154	1	WASHER, RUBBER				

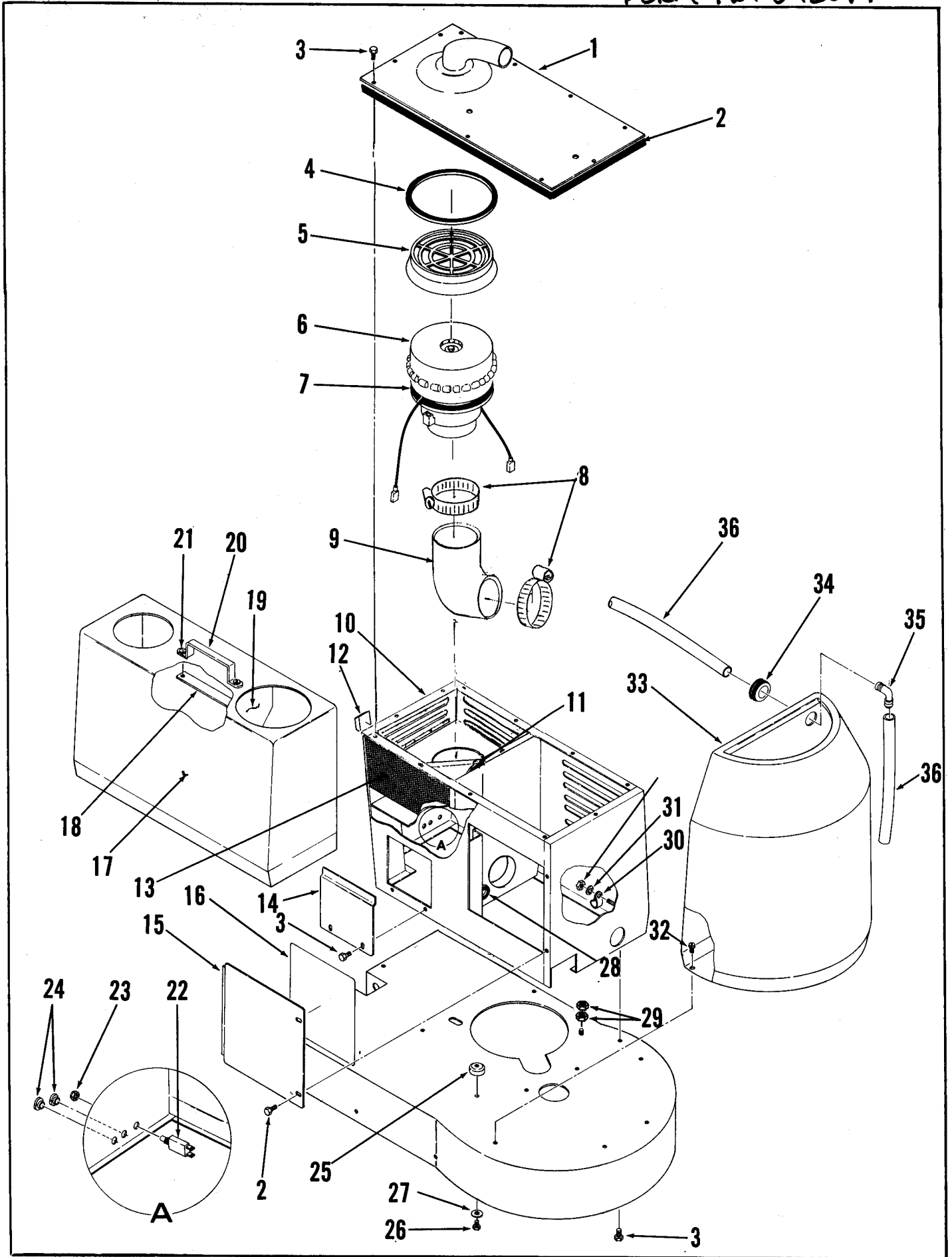
VALVE ASSEMBLY



ITEM	PART NO	QTY	DESCRIPTION	ITEM	PART NO	QTY	DESCRIPTION
1	203 598	2	SCREW (115V ONLY)	27	203 394	1	FAN, STATIONARY
2	208 108	1	SHELL (115V ONLY)	28	203 516	1	SPACER
3	203 601	2	SCREW (115V ONLY)	29	203 432	1	WASHER (230V)
4	208 140	1	BRACKET, COMMUTATOR END (115V ONLY)		203 416	1	WASHER (115V)
5	203 263	4	SCREW (115V ONLY)	30	203 440	1	NUT
6	208 132	2	CLAMP (115V ONLY)	31	202 326	1	FAN, SHELL (230V)
7	203 518	2	BRUSH MECHANISM (230V ONLY)		203 408	1	FAN, SHELL (115V)
	207 225	2	BRUSH MECHANISM (115V ONLY)	32	202 328	1	FAN, ROTATING (230V ONLY)
8	203 558	2	SCREW (115V ONLY)	33	228 388	1	WASHER, FIBRE (230V ONLY)
9	203 584	1	CLIP, FIELD (115V ONLY)				
10		1	FIELD, (230V ONLY)				
		1	FIELD, (115V ONLY)				
11	202 843	1	SPRING, LOAD (115V ONLY)				
12	203 513	1	DISC (115V ONLY)				
13	228 051	2	BEARING (1 ONLY ON 230V MODEL)				
14		1	SHELL (230V ONLY)				
15	203 591	1	FAN, COOLING (230V ONLY)				
16		1	BRACKET, COMMUTATOR END (230V ONLY)				
17	203 494	2	SCREW (230V ONLY)				
18	207 285	2	CLAMP (230V ONLY)				
19		2	CLIP (230V ONLY)				
20	203 518	2	BRUSH MECHANISM (230V ONLY)				
21	203 589	1	FAN, COOLING (115V ONLY)				
22		1	ARMATURE (230V ONLY)				
		1	ARMATURE (115V ONLY)				
23	202 330	1	WASHER, FELT (230V ONLY)				
	203 459	1	WASHER, FELT (115V ONLY)				
24		1	FAN END BRACKET (230V ONLY)				
	208 183	1	BRACKET & BEARING CLAMP (115V ONLY)				
25	203 424	1	SPACER				
26	208 191	2	FAN, ROTATING (1 ONLY ON 230V)				



ITEM	PART NO	QTY	DESCRIPTION
1	387 220	1	CORD ASSEMBLY 14/3 x 62.00
2	387 222	1	CORD ASSEMBLY 14/3 x 70.00
3	207 195	1	MOTOR, VACUUM (115V ONLY)
4	202 290	1	MOTOR, VACUUM (230V ONLY)
5	387 292	1	WIRE ASSEMBLY
6	387 316	1	CIRCUIT BREAKER (115V ONLY)
7	387 328	1	CIRCUIT BREAKER (230V ONLY)
8	387 298	1	CORD ASSEMBLY
9	171 658	1	SOLENOID (115V ONLY)
10	171 688	1	SOLENOID (230V ONLY)
11	387 014	1	MOTOR, BRUSH DRIVE (115V ONLY)
12	387 016	1	MOTOR, BRUSH DRIVE (230V ONLY)
13	387 224	1	CORD ASSEMBLY 14/3 x 29.00
14	387 290	1	WIRE ASSEMBLY
15	387 286	1	WIRE ASSEMBLY
16	330 871	1	POWER CORD (115V ONLY)
17	382 331	1	POWER CORD (230V ONLY)
18	301 636	1	SWITCH, TOGGLE
	387 266	1	WIRE ASSEMBLY
	171 225	1	SWITCH, SNAP SPST NC
	387 106	1	WIRE ASSEMBLY
	387 274	1	WIRE ASSEMBLY
	325 140	2	SWITCH, ROCKER SPST



230V VACUUM MOTOR & HOUSING ASSEMBLY

ITEM	PART NO	QTY	DESCRIPTION
1	387 160	1	COVER
2	200 754	1	GASKET
3		21	SCREW, HEX HD #10-24 x 3/8
4	385 437	1	GASKET
5	384 898	1	FILTER, VACUUM MOTOR
6	202 290	1	MOTOR, VACUUM 230V
7	209 325	1	GASKET
8	352 829	2	CLAMPS, HOSE
9	387 392	1	HOSE, FLEX
10	387 390	1	FRAME, VACUUM MOTOR
11	387 200	1	FOAM, ACCOUSTICAL
12	402 940	1	BUMPER
13	387 212	1	FOAM, ACCOUSTICAL.
14	387 394	1	DOOR, ACCESS
15	387 114	1	DOOR, ACCESS
16		1	WIRING DECAL
17	387 280	1	TANK ASSEMBLY, RECOVERY
18	387 278	1	NUT PLATE
19	387 282	1	BAFFLE
20	360 791	1	HANDLE, TANK
21		2	SCREW, RD HD. BRASS 1/4-1/2
22	387 328	1	CIRCUIT BREAKER
23	171 541	1	NUT, HEX 3/8-17
24	382 817	2	STRAIN RELIEF
25	387 250	2	STUD
26		2	SCREW, HEX HD. #10-24 x 5/8
27	203 874	2	WASHER
28	157 376	1	GROMMET, .734
29		5	NUT, HEX #10
30	442 011	1	CLAMP, CABLE
31		4	WASHER, SHAKEPROOF
32		4	SCREW, RD HD. BRASS 1/4-20 x 1/2
33	387 360	1	TANK ASSEMBLY, SOLUTION
34	760 212	2	GROMMET
35	387 020	1	ELBOW
36	387 300	2	TUBE PVC, 1/2 x 15.00