



Electronic Service Manuals

This electronic document is provided as a service to our customers. We do not create the contents of the information contained in this document. Should you have detailed questions pertaining to the information contained in this document, you may contact Michco, or the manufacturer which provided the original information in this electronic deliverable. Michco's only part in this electronic deliverable was the electronic assembly process.

You may contact Michco through the following methods:
Phone (517) 484-9312 or (800) 331-3339 MI, OH, IN only
2011 N. High St. -- Lansing, Michigan -- 48906
Fax: (517) 484-9836
Email: CustServ@Michco.com
Web site: www.Michco.Com
Parts Web site: www.FloorMachineParts.Com

Order Parts on Line at:
www.FloorMachineParts.Com

Directly to Parts & Service:
By Email: **Shop@Michco.com**
By Fax: (517) 702-2041
By Voice: Use numbers above.

Serving the Cleaning Industry Since 1922

Notice: All copyrighted material remains property of original owners, all trademarks are property of respective owners. Manuals are subject to Manufacturer's reproduction limitations. Originals or reproductions were provided by manufacturers through a request. We make no warranty as to the correctness of information provided in this document and you assume all risk.

HYDRO-RETRIEVER TRAC 280 BHD

MODEL 391 900

PARTS LIST

THIS PARTS LIST IS FOR MACHINES
AFTER SERIAL NUMBER 323309.



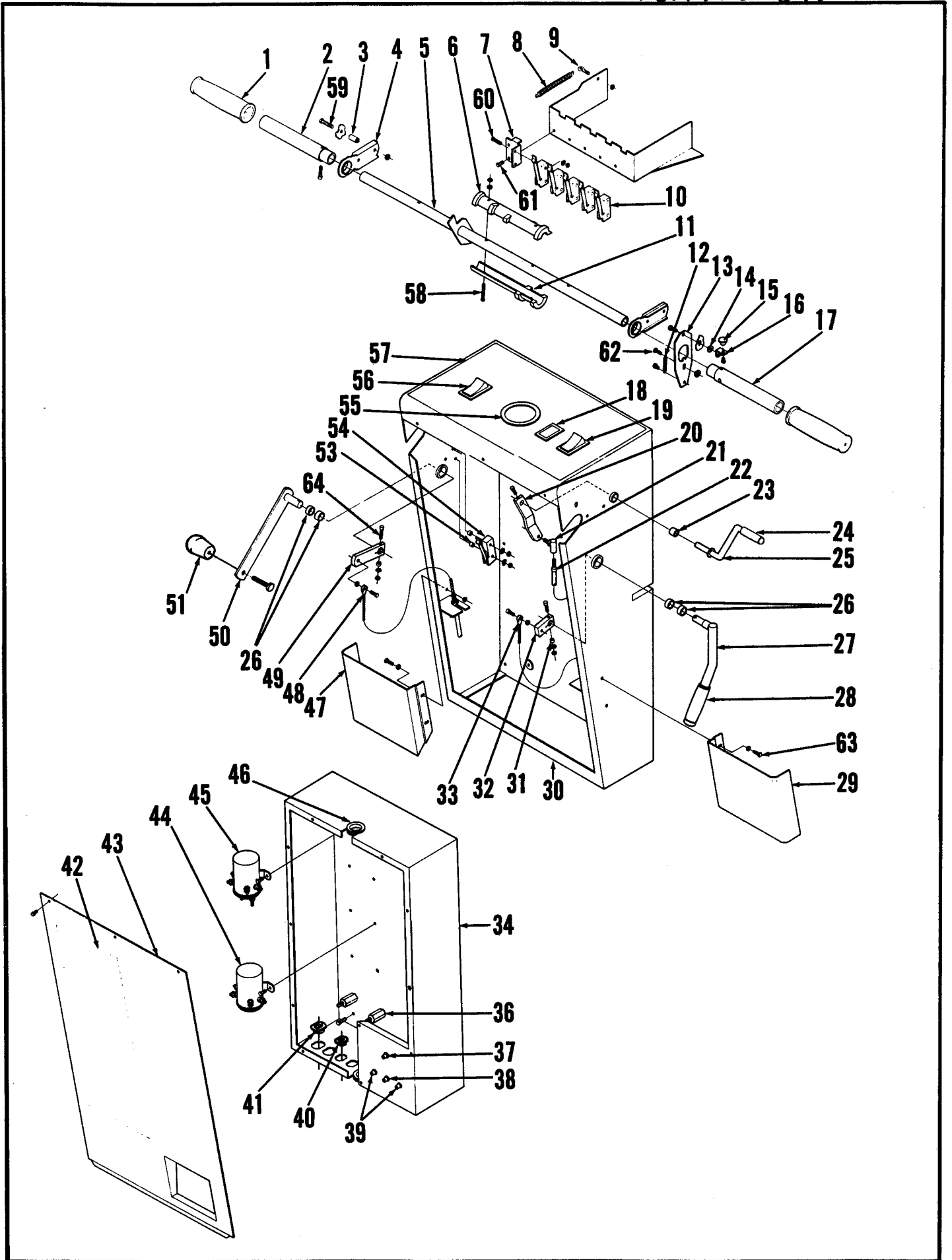
ADVANCE
MACHINE COMPANY®

INTERNATIONAL HEADQUARTERS, Plymouth, MN 55447-3408
EUROPE, Llantrisant, Pontyclun, Mid-Glamorgan CF7 8YZ Wales, United Kingdom
CANADA, 1295 Crestlawn Drive, Mississauga, Ontario L4W 1A9



INDEX FOR FORM NUMBER 042205

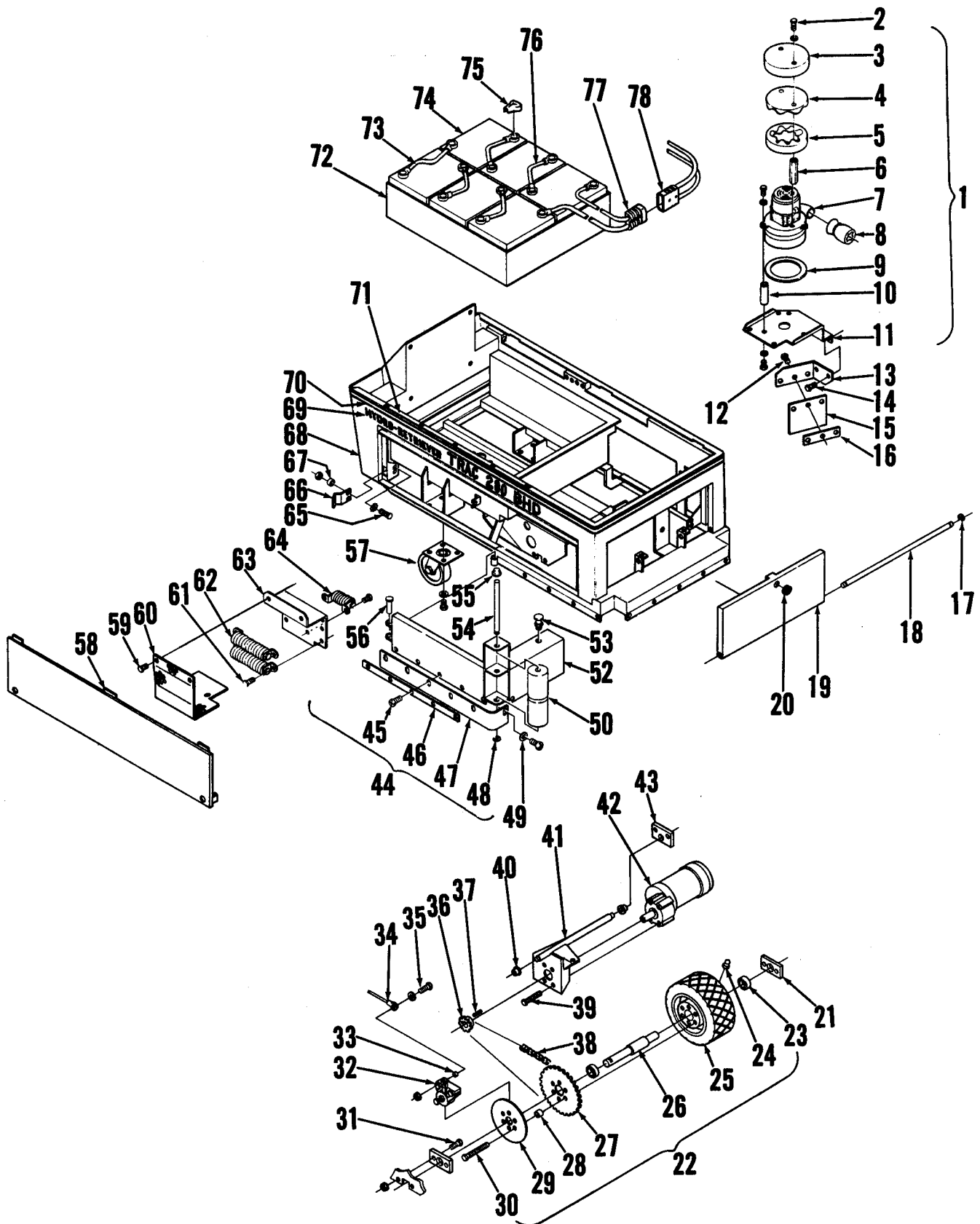
| <u>Description</u> | <u>Location</u> | <u>Page</u> |
|-------------------------------|-----------------|-------------|
| Brush Drive | B3 | 9 |
| Control Handle | A8 | 1 |
| Solution Valve | B5 | 11 |
| Squeegee | B1 | 7 |
| Tanks | A12 | 5 |
| Vacuum Motor (internal parts) | B7 | 13 |
| Vacuum Motor, Wheels & Skirts | A10 | 3 |
| Wiring Diagram | B6 | 12 |



CONTROL HANDLE ASSEMBLY

| Item | Part No. | Qty | Description | Item | Part No. | Qty | Description |
|------|----------|-----|------------------------|------|----------|-----|----------------------|
| 1 | 388545 | 2 | Grip | 50 | 391496 | 1 | Squeegee Lift Lever |
| 2 | 261064 | 1 | Tube | * | 014202 | 1 | Decal, Squeegee |
| 3 | 261066 | 4 | Bushing | 51 | 364527 | 1 | Knob |
| 4 | 261097 | 2 | Bearing | 53 | 369004 | 2 | Bushing |
| 5 | 391507 | 1 | Tube | 54 | 388019 | 1 | Switch |
| 6 | 391505 | 1 | Upper Cam | 55 | 448677 | 1 | Battery Meter |
| 7 | 391489 | 5 | Switch Bracket | 56 | 377003 | 1 | Switch |
| 8 | 358560 | 2 | Spring | 57 | 014200 | 1 | Decal, Control Panel |
| 9 | 900481 | 1 | Shoulder Screw | 58 | | 2 | #10-24 x 1 Screw |
| 10 | 385615 | 5 | Switch | 59 | | 4 | 1/4-20 x 1-1/2 Screw |
| 11 | 391506 | 1 | Lower Cam | 60 | | 10 | #6-32 x 7/8 Screw |
| 12 | 330178 | 1 | Spring | 61 | | 10 | 1/4-20 x 3/8 Screw |
| 13 | 391492 | 1 | High Speed Lock | 62 | | 3 | #10-24 x 5/8 Screw |
| 14 | 151092 | 2 | Bushing | 63 | | 4 | 1/4-20 x 3/8 Screw |
| 15 | 151017 | 1 | Knob | 64 | | 2 | 1/4-20 x 1-1/4 Screw |
| 16 | 391493 | 1 | Tab | | | | |
| 17 | 391490 | 1 | Tube | | | | |
| 18 | 467410 | 1 | Indicator Light | | | | |
| 19 | 376348 | 1 | Switch | | | | |
| 20 | 391494 | 1 | Lever | | | | |
| 21 | 488290 | 1 | Ball Joint | | | | |
| 22 | 488292 | 1 | Cable | | | | |
| 23 | 324505 | 1 | Flange Bearing | | | | |
| 24 | 376486 | 1 | Cap | | | | |
| 25 | 391495 | 1 | Solution Lever | | | | |
| 26 | 366633 | 4 | Bearing | | | | |
| 27 | 391501 | 1 | Brake Lever | | | | |
| * | 014201 | 1 | Decal, Brake | | | | |
| 28 | 391311 | 1 | Grip | | | | |
| 29 | 391943 | 1 | Right Panel | | | | |
| 30 | 391945 | 1 | Control Panel | | | | |
| | 391950 | 1 | Control Panel Assembly | | | | |
| 31 | 151092 | 2 | Bushing | | | | |
| 32 | 391504 | 1 | Lever | | | | |
| 33 | 391306 | 1 | Cable | | | | |
| 34 | 391498 | 1 | Electrical Panel | | | | |
| 36 | 469858 | 2 | Stand-Off | | | | |
| 37 | 454429 | 1 | Circuit Breaker 70A | | | | |
| 38 | 387316 | 1 | Circuit Breaker 10A | | | | |
| 39 | 469788 | 2 | Circuit Breaker 25A | | | | |
| 40 | 382818 | 2 | Strain Relief | | | | |
| 41 | 160512 | 2 | Strain Relief | | | | |
| 42 | 014205 | 1 | Decal, Wiring Diagram | | | | |
| 43 | 391940 | 1 | Cover Panel | | | | |
| 44 | 395452 | 4 | Solenoid Contactor | | | | |
| 45 | 388534 | 4 | Solenoid Contactor | | | | |
| 46 | 391302 | 2 | Grommet | | | | |
| 47 | 391944 | 1 | Left Panel | | | | |
| 48 | 391305 | 1 | Cable | | | | |
| 49 | 391497 | 1 | Lever | | | | |

* = Not Shown

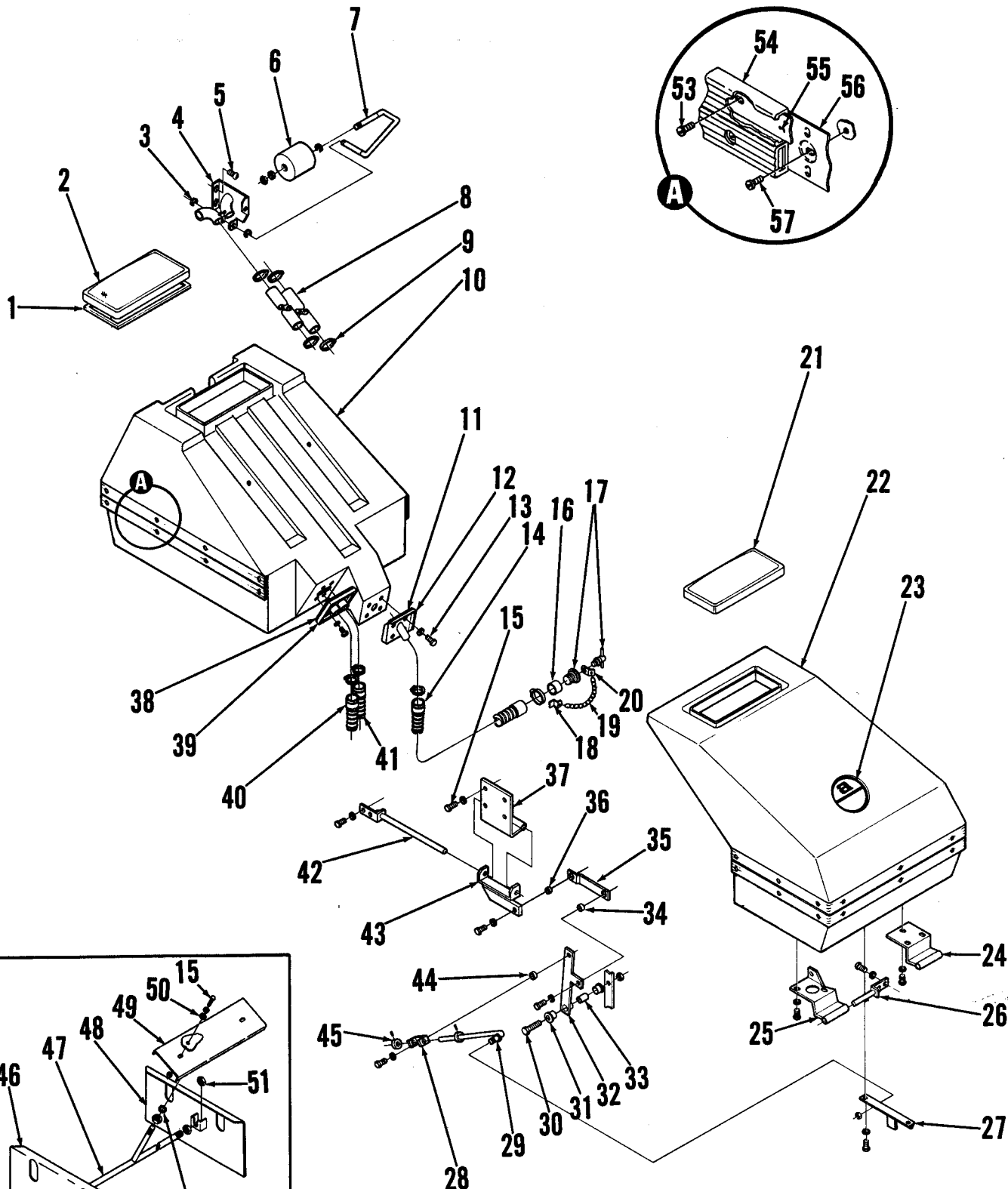


CHASSIS AND DRIVE WHEEL

| Item | Part No. | Qty | Description | Item | Part No. | Qty | Description |
|------|----------|-----|-----------------------------------|------|----------|-----|--|
| 1 | 391829 | 1 | Vacuum Motor Assembly #2-11 | 46 | 391919 | 1 | Skirt Retainer Right |
| 2 | | 2 | 6-32 x 1/4 Screw | * | 391918 | 1 | Skirt Retainer Left |
| 3 | 391794 | 1 | Cover | 47 | 391921 | 1 | Skirt Right |
| 4 | 391808 | 1 | Foam | * | 391922 | 1 | Skirt Left |
| 5 | 391809 | 1 | Foam | 48 | 468834 | 2 | Retaining Ring |
| 6 | 391795 | 2 | Stand-Off | 49 | 180092 | 2 | Washer |
| 7 | 377477 | 1 | Vacuum Motor TSB 526 - F10 | 50 | 376540 | 2 | Roller |
| * | 377473 | 1 | Carbon Brush (Set) | * | 111503 | 4 | Bearing |
| 8 | 391807 | 1 | Foam | 52 | 391916 | 1 | Skirt Weldment Right |
| 9 | 385437 | 1 | Gasket | * | 391917 | 1 | Skirt Weldment Left |
| 10 | 377475 | 3 | Stand-Off | 53 | 578214 | 1 | Lock Assembly |
| 11 | 391786 | 1 | Motor Mount | 54 | 391926 | 1 | Pin |
| 12 | | 3 | 10-24 x 5/8 Screw | 55 | 376544 | 1 | Cap |
| 13 | 391760 | 1 | Bracket | 56 | 360147 | 2 | Pin |
| 14 | | 8 | 1/4-20 x 3/8 Screw | 57 | 440450 | 2 | Caster TSB 510 - F13, TSB 522 - F11 |
| 15 | 391307 | 1 | Blade | | | | |
| 16 | 391761 | 1 | Strap | 58 | 391838 | 2 | Side Panel |
| 17 | 321427 | 2 | Retaining Ring | 59 | | 2 | 10-24 x 3/8 |
| 18 | 391781 | 1 | Rod | 60 | 391805 | 1 | Heat Shield |
| 19 | 391951 | 1 | Front Panel | 61 | | 6 | 1/4-20 x 1/2 Screw |
| 20 | 344621 | 1 | Grommet | 62 | 391810 | 2 | Resistor |
| 21 | 391536 | 2 | Pillow Block | 63 | 391806 | 1 | Bracket |
| 22 | 391538 | 1 | Wheel & Axle Assembly #23-30 | 64 | 261221 | 1 | Resistor |
| 23 | 378380 | 2 | Bearing | 65 | | 2 | 10-24 x 3/4 Screw |
| 24 | 344362 | 1 | Grease Fitting | 66 | 391776 | 5 | Clip |
| 25 | 376628 | 1 | Wheel | 67 | 369004 | 10 | Bushing |
| 26 | 391534 | 1 | Axle | 68 | 391905 | 1 | Chassis |
| 27 | 388700 | 1 | Sprocket | 69 | 014535 | 2 | Trac 280 Decal |
| 28 | 391539 | 6 | Bushing | 70 | 014645 | 1 | Stripe Decal |
| 29 | 391537 | 1 | Brake Disc | 71 | 391777 | 1 | Tank Slide |
| 30 | | 6 | 5/16-18 x 2 1/2 Screw | 72 | 261045 | 1 | Battery Tray |
| 31 | | 4 | 3/8-16 x 3/4 Screw | 73 | 363936 | 1 | Battery Cable |
| 32 | 391301 | 1 | Brake Caliper | 74 | 376014 | 6 | Battery, 6V 244 AH ** |
| 33 | 200123 | 1 | Bushing | | 372730 | 6 | Battery, 6V 220 AH ** |
| 34 | 391306 | 1 | Brake Cable | * | 372974 | 1 | 36V Charger (Auto) ** |
| 35 | | 1 | 1/4-20 x 1-1/4 Screw | * | 372955 | 1 | 36V Charger (Semi-Auto) ** |
| 36 | 471148 | 1 | Sprocket | 75 | 372673 | 12 | Boot |
| 37 | 740168 | 1 | Key | 76 | 363928 | 4 | Battery Cable |
| 38 | 391310 | 1 | Chain | 77 | 261237 | 1 | Connector |
| 39 | | 4 | 3/8-16 x 1 Screw | 78 | 391161 | 1 | Connector |
| 40 | 111503 | 2 | Bearing | | | | |
| 41 | 391530 | 1 | Motor Mount | | | | |
| 42 | 388585 | 1 | Drive Motor TSB 506 - F14 | | | | |
| * | 388586 | 1 | Carbon Brush (Set) | | | | |
| 43 | 391535 | 1 | Pillow Block | | | | |
| 44 | 391955 | 1 | Skirt Assembly Right (#45-55) | | | | |
| * | 391954 | 1 | Skirt Assembly Left (#45-55) | | | | |
| 45 | 372929 | 6 | Screw | | | | |

* = Not Shown

** = Not Included

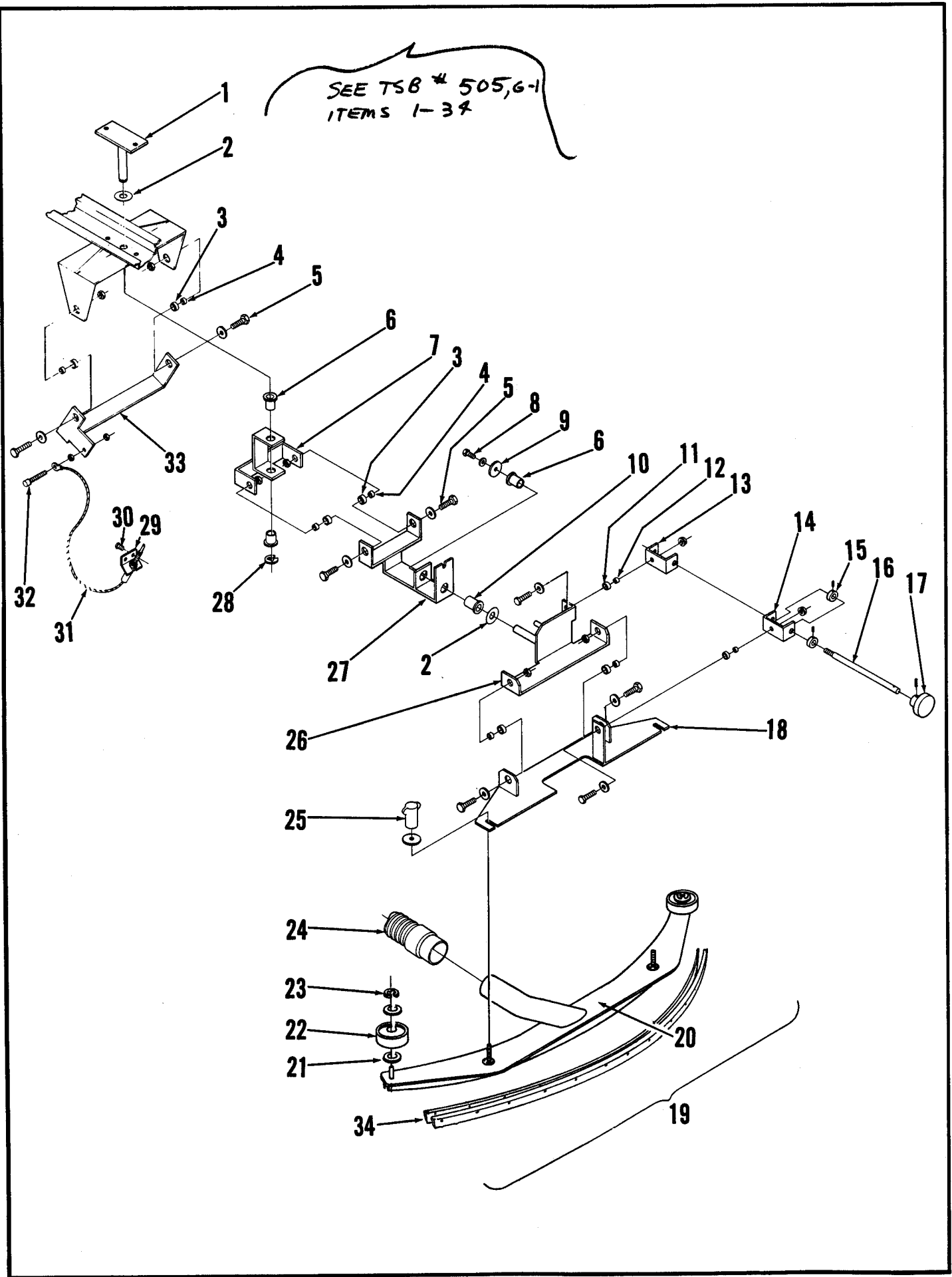


INSIDE RECOVERY TANK

SOLUTION AND RECOVERY TANKS

| Item | Part No. | Qty | Description | Item | Part No. | Qty | Description |
|------|----------|-----|---|------|----------|-----|----------------------|
| 1 | 261183 | 1 | Gasket | 44 | 163872 | 1 | Bushing |
| 2 | 261364 | 1 | Cover TSB 533 - F9 | 45 | 331076 | 2 | Collar |
| 3 | 321125 | 3 | Retaining Ring | 46 | 391821 | 1 | Bracket |
| 4 | 391719 | 1 | Bracket TSB 526 - F10 | 47 | 391824 | 1 | Rod |
| 5 | | 3 | 1/4-20 x 5/8 Screw TSB 526 - F10 | 48 | 391820 | 1 | Bracket |
| 6 | 385349 | 1 | Float TSB 526 - F10 | 49 | 391817 | 1 | Channel |
| 7 | 391723 | 1 | Rod | 50 | 900737 | 5 | Sealing Washer |
| 8 | 391745 | 2 | Tube | 51 | | 4 | 5/8-11 Nut |
| 9 | 329145 | 8 | Hose Clamp | 52 | 454626 | 2 | Washer |
| 10 | 391938 | 1 | Recovery Tank | 53 | | 34 | 10-24 x 3/8 Screw |
| | 391946 | 1 | Recovery Tank Assembly | 54 | 391798 | 4 | Recovery Tank Bumper |
| 11 | 391312 | 1 | Gasket | | 391796 | 2 | Solution Tank Bumper |
| 12 | 391712 | 1 | Drain Adapter | 55 | 391799 | 4 | Recovery Tank Strap |
| 13 | | 20 | 1/4-20 x 1/2 Screw | | 391797 | 2 | Solution Tank Strap |
| 14 | 372222 | 1 | Hose | 56 | 391939 | 2 | Recovery Tank Panel |
| 15 | | 8 | 1/4-20 x 3/4 Screw | | 391934 | 1 | Solution Tank Panel |
| 16 | 376940 | 1 | Tube | 57 | | 7 | 10-24 x 1/2 Screw |
| 17 | 376948 | 1 | T-Plug | | | | |
| 18 | 376944 | 1 | Clip | | | | |
| 19 | 209992 | 1 | Chain | | | | |
| 20 | 376942 | 1 | Clip | | | | |
| 21 | 391949 | 1 | Cover | | | | |
| 22 | 391907 | 1 | Solution Tank | | | | |
| | 391906 | 1 | Solution Tank Assembly | | | | |
| 23 | 023308 | 1 | Logo Decal | | | | |
| 24 | 391737 | 1 | Left Hinge | | | | |
| 25 | 391740 | 1 | Right Hinge | | | | |
| 26 | 391735 | 2 | Hinge Pin | | | | |
| 27 | 391742 | 1 | Tank Stop | | | | |
| 28 | 391731 | 1 | Yoke | | | | |
| 29 | 391734 | 1 | Rod | | | | |
| 30 | | 1 | 5/16-18 x 1 Screw | | | | |
| 31 | 185264 | 2 | Bearing | | | | |
| 32 | 391727 | 1 | Lever | | | | |
| 33 | 391733 | 1 | Bushing | | | | |
| 34 | 368989 | 1 | Bushing | | | | |
| 35 | 391732 | 1 | Linkage | | | | |
| 36 | 321532 | 1 | Bushing | | | | |
| 37 | 391716 | 2 | Hinge | | | | |
| 38 | 391313 | 1 | Gasket | | | | |
| 39 | 391709 | 1 | Adapter | | | | |
| 40 | 391749 | 1 | Hose To Vacuum Motor | | | | |
| 41 | 391747 | 1 | Hose To Squeegee | | | | |
| 42 | 391706 | 2 | Hinge Pin | | | | |
| 43 | 391724 | 1 | Bracket | | | | |

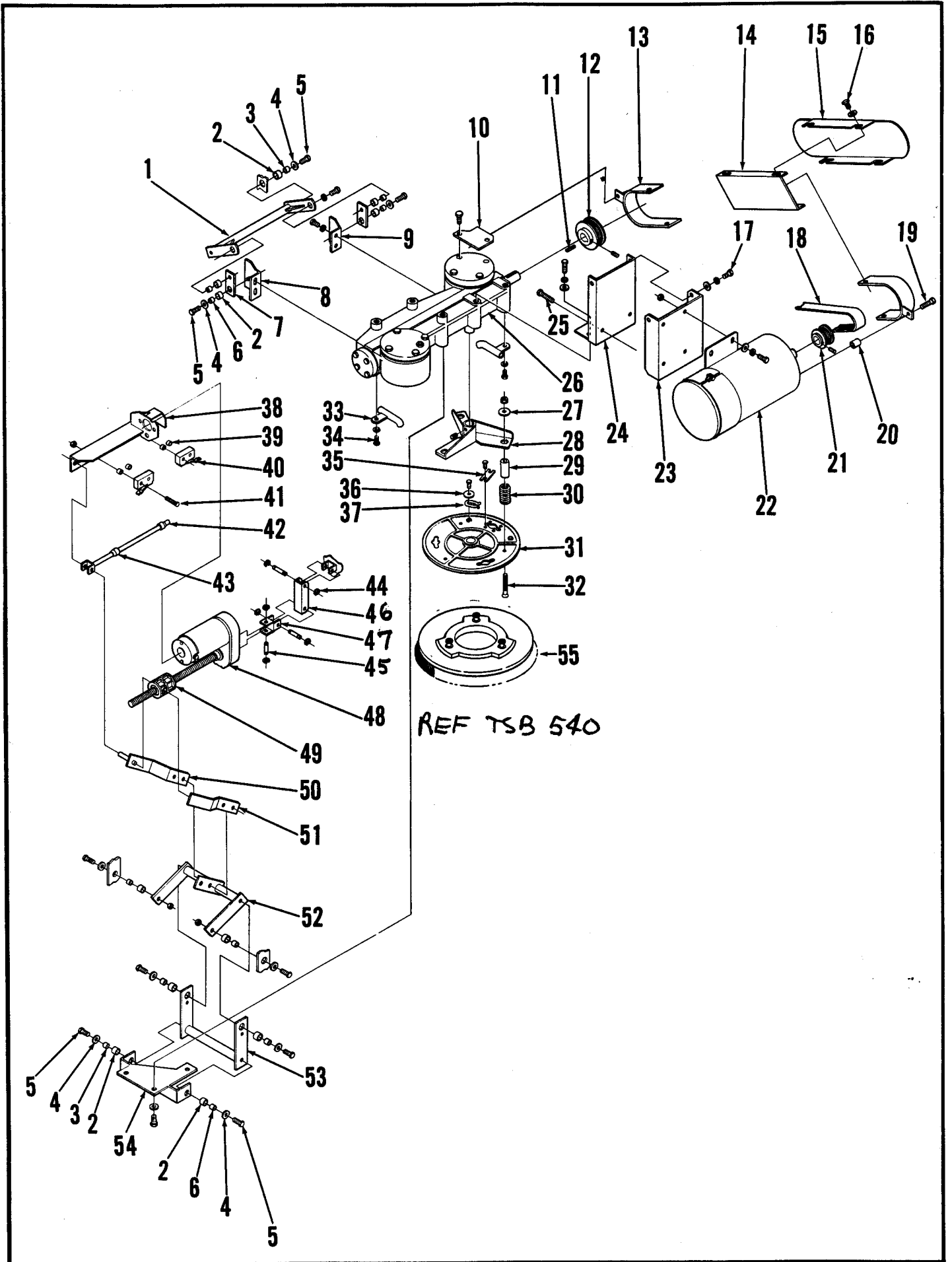
SEE TSB # 505,6-1
ITEMS 1-34



SQUEEGEE AND MOUNT**

| Item | Part No. | Qty | Description |
|------|----------|-----|-------------------------|
| 1 | 391671 | 1 | Pin Bracket |
| 2 | 444839 | 2 | Washer |
| 3 | 360627 | 6 | Bushing |
| 4 | 478781 | 6 | Bearing |
| 5 | | 6 | 1/2-13 x 1 Screw |
| 6 | 491652 | 4 | Flanged Bearing |
| 7 | 391651 | 1 | Yoke |
| 8 | | 1 | 3/8-16 x 3/4 Screw |
| 9 | 752278 | 1 | Washer |
| 10 | | 2 | 5/16-18 x 3/4 Screw |
| 11 | 185263 | 2 | Bushing |
| 12 | 320595 | 2 | Bearing |
| 13 | 391668 | 1 | Yoke |
| 14 | 391669 | 1 | Yoke |
| 15 | 331076 | 2 | Collar |
| | | 2 | 10-24 x 3/16 Set Screw |
| 16 | 391670 | 1 | Rod |
| 17 | 475480 | 1 | Knob |
| | | 1 | 10-24 x 5/16 Set Screw |
| 18 | 391661 | 1 | Squeegee Mount |
| | 391650 | 1 | Squeegee Mount Assembly |
| 19 | 391914 | 1 | Squeegee Assembly |
| 20 | 391915 | 1 | Tool |
| 21 | 371009 | 4 | Washer |
| 22 | 228102 | 2 | Wheel |
| 23 | 157060 | 2 | Retaining Ring |
| 24 | 391747 | 1 | Hose |
| 25 | 370711 | 1 | Thumb Nut |
| 26 | 391658 | 1 | Bracket |
| 27 | 391654 | 1 | Bracket |
| 28 | 478775 | 1 | Retaining Ring |
| 29 | 391674 | 1 | Bracket |
| 30 | | 2 | 1/4-20 x 3/8 Screw |
| 31 | 391305 | 1 | Squeegee Cable |
| 32 | | 1 | 1/4-20 x 1 Screw |
| 33 | 391665 | 1 | Lift Bracket |
| 34 | 404090 | 1 | Neoprene Blade Kit |
| | 404095 | 1 | Gum Rubber Blade Kit |

**** Note: See TSB 505 - G1 for items 1-34**



REF TSB 540

GEAR CASE AND BRUSH DRIVE

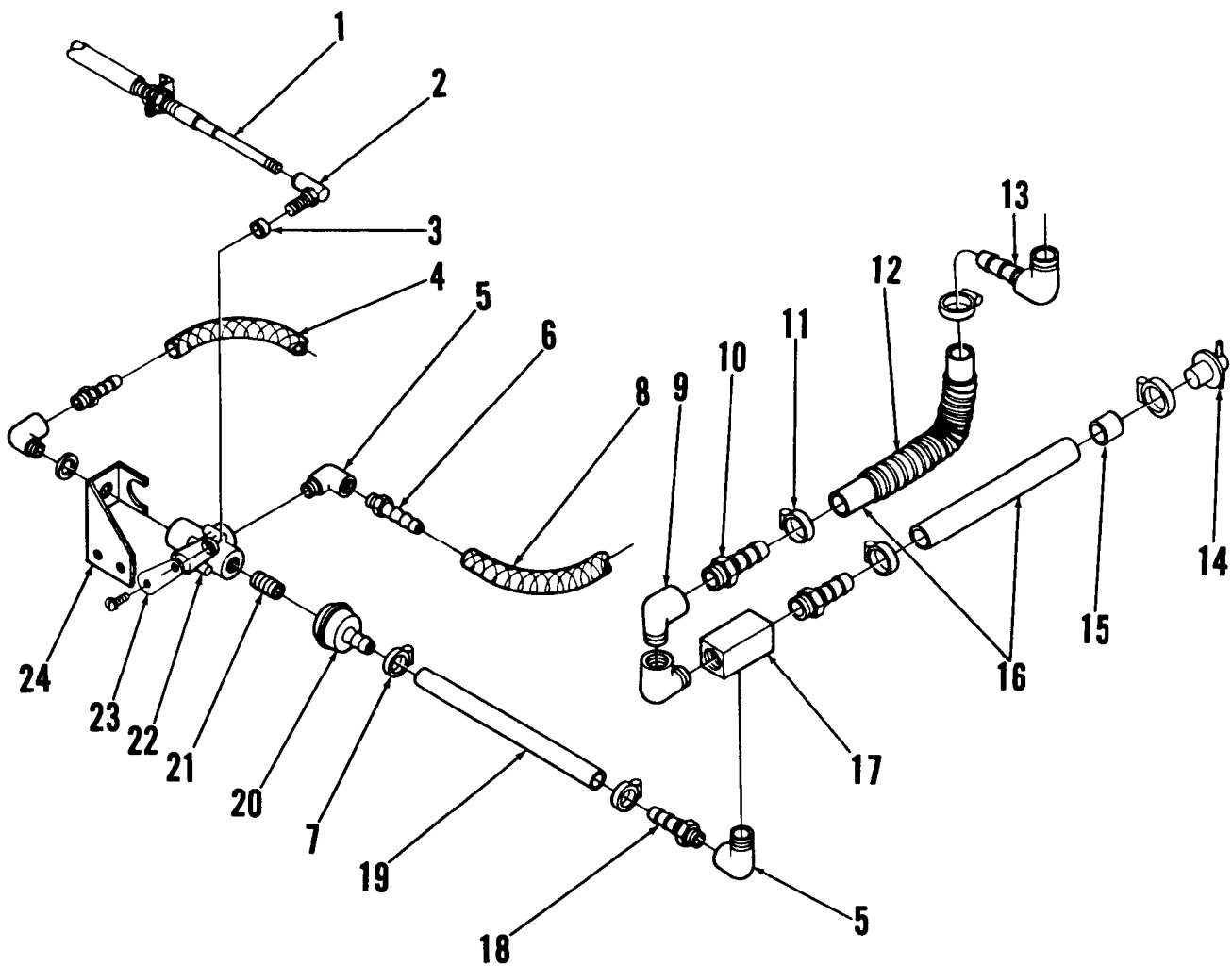
| Item | Part No. | Qty | Description | Item | Part No. | Qty | Description |
|------|----------|-----|-----------------------------------|------|----------|-----|--------------------------------|
| 1 | 391581 | 1 | Torsion Bar | 34 | | 5 | 3/8-16 x 3/4 Screw |
| 2 | 185263 | 12 | Bearing | 35 | 366455 | 2 | Stop Plate |
| 3 | 244941 | 6 | Bushing | 36 | 151114 | 2 | Washer |
| 4 | 152781 | 12 | Washer | 37 | 366463 | 2 | Retaining Spring |
| 5 | | 12 | 5/16-18 x 3/4 Screw | 38 | 391788 | 1 | Switch Bracket |
| 6 | 320595 | 6 | Bushing | 39 | 162746 | 4 | Spacer |
| 7 | 391586 | 2 | Lever | 40 | 388019 | 2 | Switch |
| 8 | 391596 | 1 | Left Bracket | 41 | | 4 | 6-32 x 1-1/2 Screw |
| 9 | 391597 | 1 | Right Bracket | 42 | 391791 | 1 | Rod |
| 10 | 391765 | 1 | Bracket | 43 | 388036 | 2 | Collar |
| 11 | 367958 | 1 | Key | 44 | 321427 | 6 | Retaining Ring |
| 12 | 372889 | 1 | Sheave | 45 | 388672 | 3 | Pin |
| 13 | 391767 | 2 | Bracket | 46 | 391609 | 1 | Bracket |
| 14 | 391763 | 1 | Belt Guard | 47 | 391608 | 1 | Yoke |
| 15 | 391764 | 1 | Belt Guard | 48 | 388518 | 1 | Gear Motor TSB 540 - F7 |
| 16 | | 6 | 10-24 x 1/2 Screw | * | 388517 | 1 | Carbon Brush Kit (for 388518) |
| 17 | | 2 | 5/16-18 x 3/4 Screw | * | 470431 | 1 | Carbon Brush Kit (for 391627) |
| 18 | 756048 | 1 | Belt | 49 | 388520 | 1 | Nut |
| 19 | | 1 | 1/4-20 x 1-1/4 Screw | 50 | 391613 | 1 | Lever |
| 20 | 391766 | 1 | Spacer | 51 | 391590 | 1 | Lever |
| 21 | 391610 | 1 | Sheave | 52 | 391577 | 1 | Lever |
| | 441719 | 1 | Key | 53 | 391587 | 1 | Lifter Yoke |
| 22 | 392489 | 1 | Motor | 54 | 391593 | 1 | Bracket |
| * | 448729 | 1 | Carbon Brush (Set) | 55 | 505774 | 2 | Prolene Brush ** |
| 23 | 391598 | 1 | Channel | | 505770 | 2 | Pad Holder ** |
| 24 | 391599 | 1 | Bracket | | 505772 | 2 | Dyna-Grit 80 Brush ** |
| 25 | | 2 | 3/8-16 x 1-1/2 Adjusting Screw | | 505771 | 2 | Magna-Grit 46 Brush ** |
| 26 | 391570 | 1 | Gear Box Assy TSB 614, F-4 | | 505773 | 2 | Aglite-Grit 500 Brush ** |
| 27 | 752278 | 6 | Washer | | 505775 | 2 | Prolite Brush ** |
| 28 | 391600 | 2 | Drive Adapter TSB 489 - G5 | | 505776 | 2 | Union Mix Brush ** |
| 29 | 391603 | 6 | Spacer TSB 489 - G5 | | 505777 | 2 | MidGrit 240 Brush ** |
| 30 | 391303 | 6 | Spring TSB 489 - G5 | | 505778 | 2 | MidLite 180 Brush |
| 31 | 391611 | 2 | Brush Holder | | | | |
| 32 | 900139 | 6 | Screw | | | | |
| 33 | 391604 | 2 | Pipe | | | | |

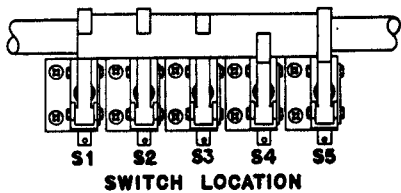
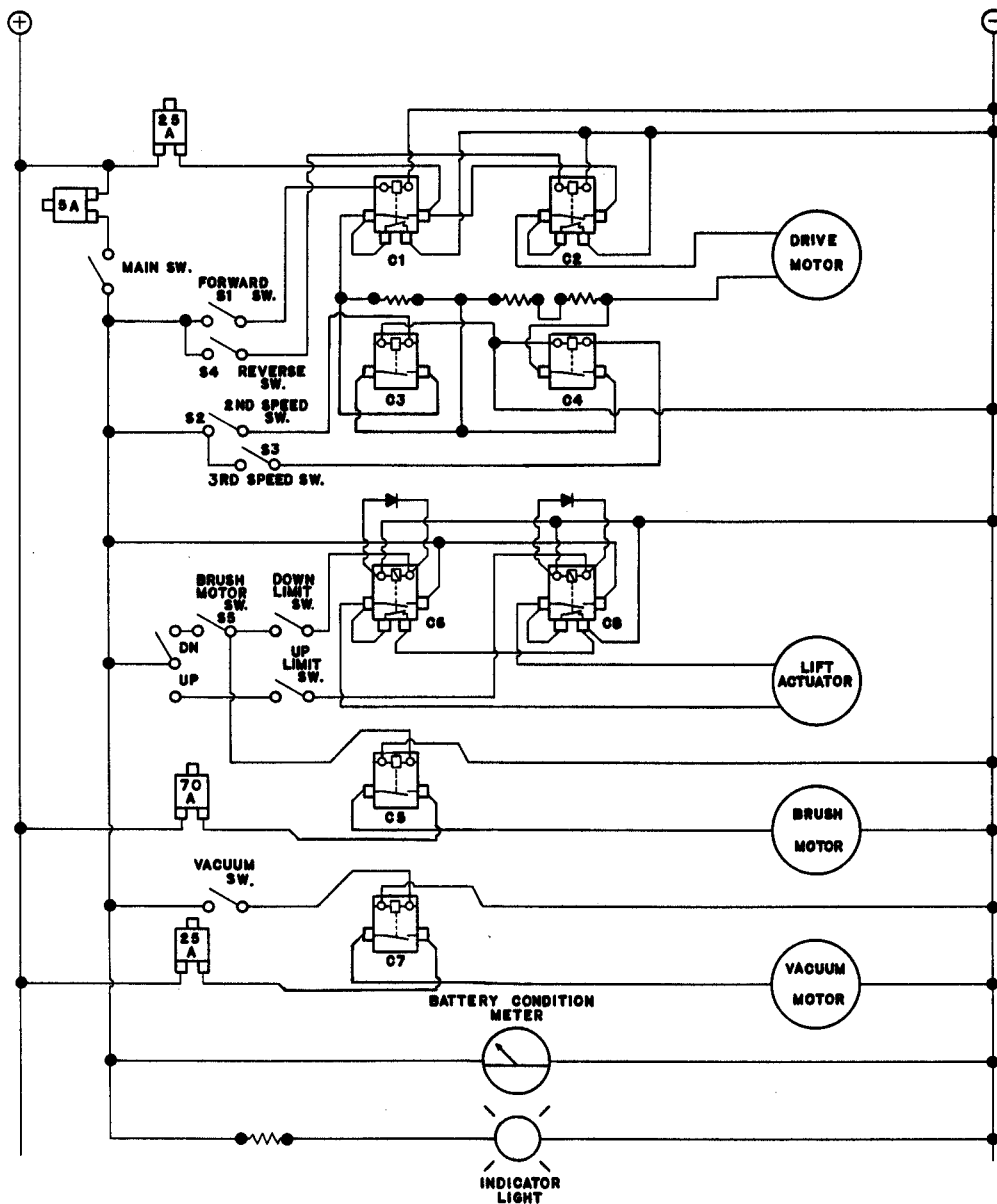
* = Not Shown

** = Not Included

SOLUTION VALVE ASSEMBLY

| Item | Part No. | Qty | Description | Item | Part No. | Qty | Description |
|------|----------|-----|-------------|------|----------|-----|------------------------------------|
| 1 | 488292 | 1 | Cable | 14 | 260098 | 1 | Plug |
| 2 | 488290 | 1 | Ball Joint | 15 | 261297 | 1 | Tube |
| 3 | 391774 | 1 | Bushing | 16 | 391800 | 2 | Hose |
| 4 | 391802 | 1 | Hose | 17 | 391775 | 1 | Tee |
| 5 | 742125 | 3 | Elbow | 18 | 118117 | 1 | Barb |
| 6 | 749202 | 2 | Barb | 19 | 391801 | 1 | Hose |
| 7 | 219932 | 2 | Hose Clamp | 20 | 386109 | 1 | Filter |
| 8 | 391803 | 1 | Hose | | 386108 | 1 | Filter Screen |
| 9 | 458402 | 2 | Elbow | 21 | 749229 | 1 | Nipple |
| 10 | 743086 | 2 | Barb | 22 | 454612 | 1 | Solution Valve TSB 500 - F6 |
| 11 | 131601 | 4 | Hose Clamp | | 391787 | 1 | Solution Valve Assembly |
| 12 | 385160 | 2 | Hose Cover | 23 | 391836 | 1 | Strap |
| 13 | 449877 | 1 | Barb | 24 | 391780 | 1 | Bracket |





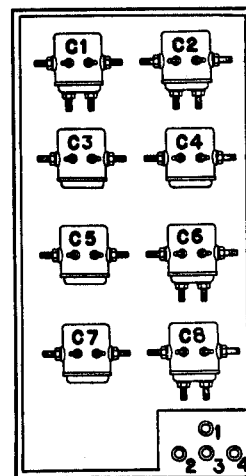
S1 FORWARD
S2 2ND SPEED
S3 3RD SPEED
S4 REVERSE
S5 BRUSH MOTOR

CONTACTORS

C1 FORWARD
C2 REVERSE
C3 2ND SPEED
C4 3RD SPEED
C5 BRUSH MOTOR
C6 BRUSH DOWN
C7 VACUUM MOTOR
C8 BRUSH UP

CIRCUIT BREAKERS

1 BRUSH MOTOR
2 DRIVE MOTOR
3 CONTROL CIRCUIT
4 VACUUM MOTOR



CONTACTOR LOCATION

VACUUM MOTOR

| Item | Part No. | Qty | Description |
|------|----------|-----|------------------|
| | 377477 | 1 | Vacuum Motor |
| 1 | 203591 | 1 | Cooling Fan |
| 2 | 377473 | 1 | Carbon Brush/Set |
| 3 | 228051 | 2 | Ball Bearing |
| 4 | 203461 | 1 | Neoprene Washer |
| 5 | 372584 | 1 | Spacer |
| 6 | 372586 | 1 | Fan |
| 7 | 372588 | 3 | Rotating Fan |
| 8 | 203516 | 2 | Spacer |
| 9 | 377485 | 1 | Stationary Fan |
| 10 | 377486 | 1 | Stationary Fan |
| 11 | 377487 | 1 | Fan Shell |

