



# Electronic Service Manuals

This electronic document is provided as a service to our customers. We do not create the contents of the information contained in this document. Should you have detailed questions pertaining to the information contained in this document, you may contact Michco, or the manufacturer which provided the original information in this electronic deliverable. Michco's only part in this electronic deliverable was the electronic assembly process.

You may contact Michco through the following methods:  
Phone (517) 484-9312 or (800) 331-3339 MI, OH, IN only  
2011 N. High St. -- Lansing, Michigan -- 48906  
Fax: (517) 484-9836  
Email: [CustServ@Michco.com](mailto:CustServ@Michco.com)  
Web site: [www.Michco.Com](http://www.Michco.Com)  
Parts Web site: [www.FloorMachineParts.Com](http://www.FloorMachineParts.Com)

Order Parts on Line at:  
**[www.FloorMachineParts.Com](http://www.FloorMachineParts.Com)**

Directly to Parts & Service:  
By Email: **[Shop@Michco.com](mailto:Shop@Michco.com)**  
By Fax: (517) 702-2041  
By Voice: Use numbers above.

**Serving the Cleaning Industry Since 1922**

Notice: All copyrighted material remains property of original owners, all trademarks are property of respective owners. Manuals are subject to Manufacturer's reproduction limitations. Originals or reproductions were provided by manufacturers through a request. We make no warranty as to the correctness of information provided in this document and you assume all risk.

# CONVERTAMATIC

MODELS- 32B  
32BD  
38BD

FORM NO. 042009  
AUG. 15, 1978

# PARTS LIST



The  **Advance Machine Company**

We build cleaning machines that are all business.

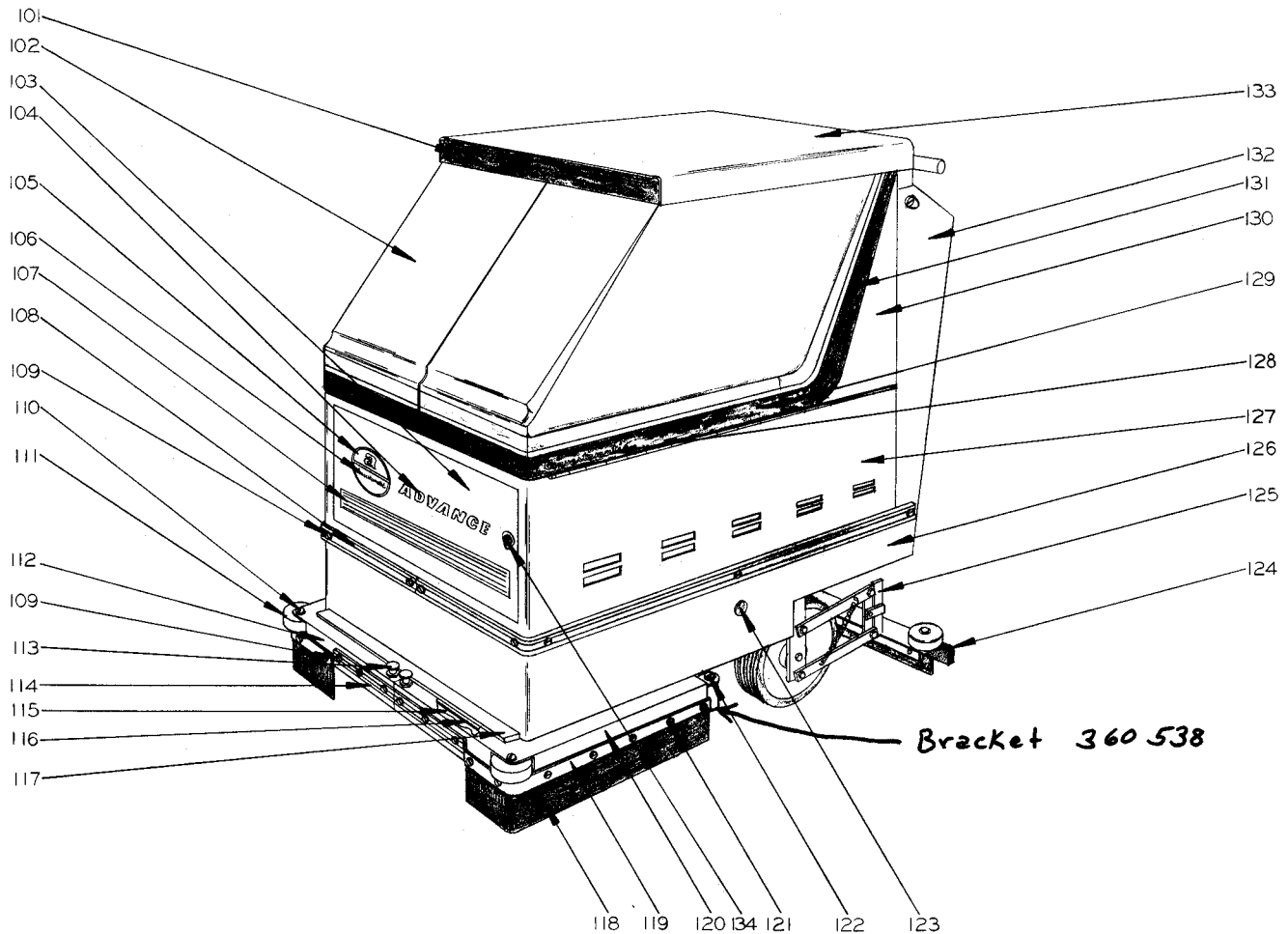
**ADVANCE MACHINE COMPANY**, Spring Park, Minnesota 55384

**ADVANCE MACHINE COMPANY, CANADA, LTD.**, 45 Iron Street, Rexdale, Ontario, Canada

**ADVANCE INTERNATIONAL, INC.**, Parc de L'Europe, Luxembourg

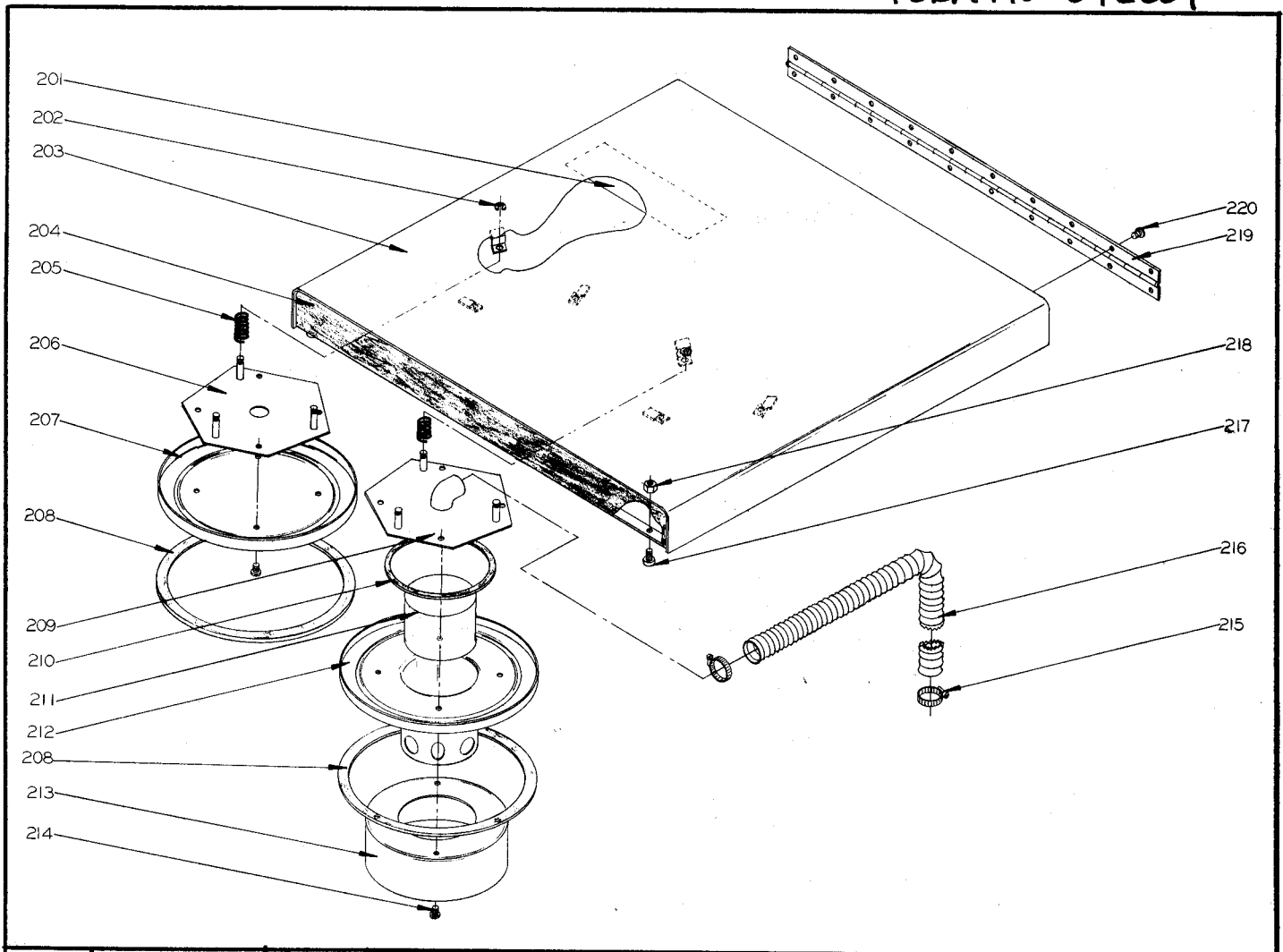
## INDEX FOR FORM NUMBER 042009

<u>Description</u>	<u>Location</u>	<u>Page</u>
Battery Housing	E4	7
Brush Drive	E5	8
Control Handle & Rear Wheels	E1	4
Hood	D13	2
Motor, Vacuum	E8	11
Outer Body	D12	1
Squeegee (cartridge type)	E10	13
Squeegee (with individual blades)	E3	6
Tanks & Solution Valve	D14	3
Wheel Drive	E7	10
Wiring Diagram	E9	12



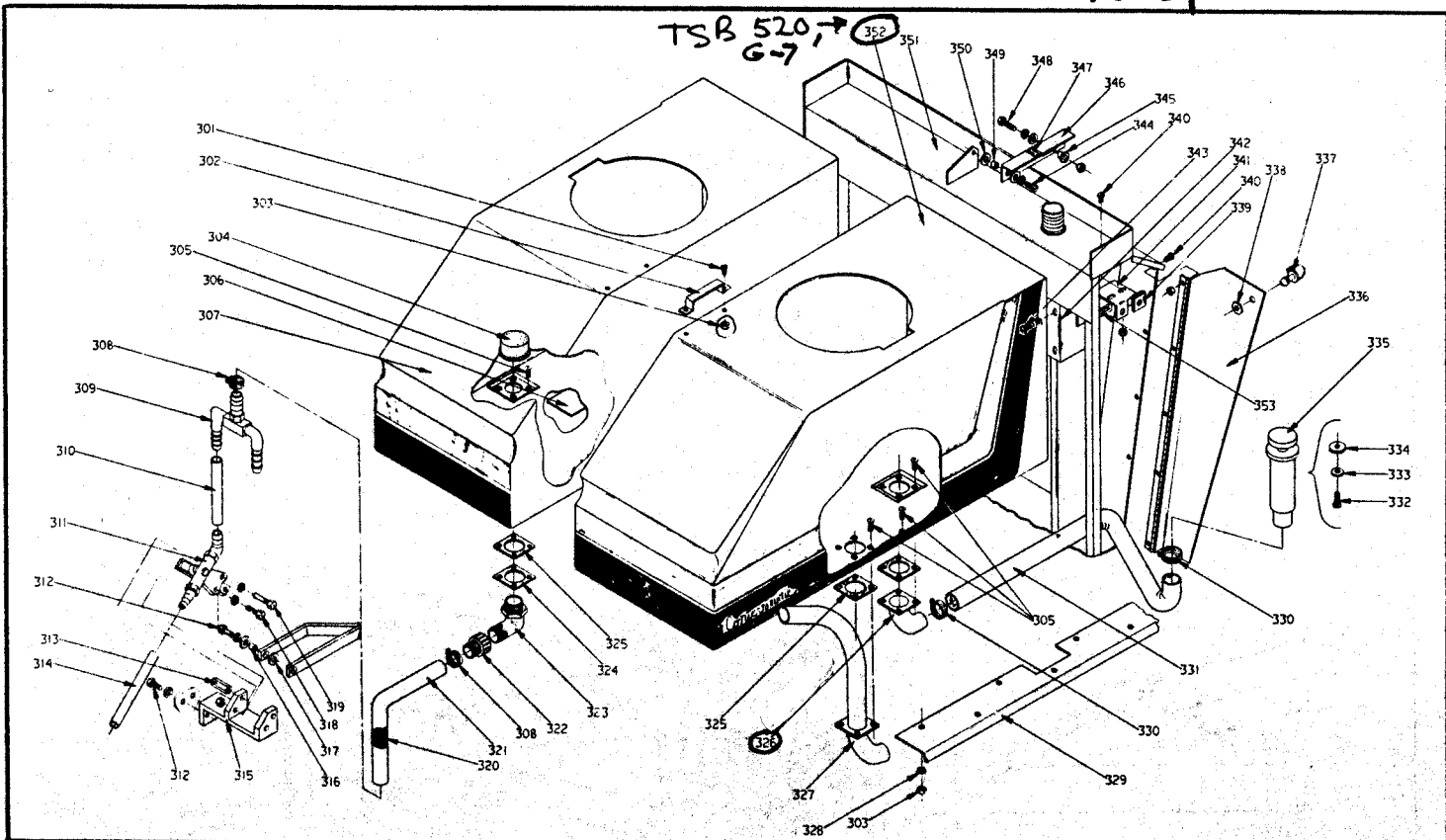
ITEM	PART NO.	Qty.	DESCRIPTION	ITEM	PART NO.	Qty.	DESCRIPTION
101	016 575	1	DECAL	120	400 459	1	SKIRT ASSEMBLY, Left 38"
102	379 091	1	TANK ASSEMBLY, Solution	381 373	1	SKIRT, Left 32"	
103	378 982	1	DOOR ASSEMBLY, Front	400 408	1	SKIRT, Left 38"	
104	016 543	1	DECAL, Advance	121	381 351	14	SCREW
105	016 398	1	EMBLEM, Advance	122	360 147	2	HINGE PIN
106	016 397	1	DECAL, Convertamatic 32	123	322 231	1	BUTTON, Plug
	016 622	1	DECAL, Convertamatic 38	124	379 412	1	WET PICK-UP TOOL, 32"
107	015 142	1	GRILL		400 512	1	WET PICK-UP TOOL, 38"
108	379 557	2	BUMPER, Chassis		379 413	1	DRY PICK-UP TOOL, 32"
	379 549	2	STRAP, Bumper		400 444	1	DRY PICK-UP TOOL, 38"
109		16	SCREW, Pan Hd. 10-24 X 1/2	125	379 450	1	MOUNT ASSEMBLY, Squeegee
110		2	SCREW, Rd. Hd. 1/4-20 X 1 1/2	126	401 984	1	CHASSIS WELDMENT
	360 139	2	BUSHING	127	380 824	1	HOUSING, Battery
	371 009	2	WASHER	128	016 370	2	EMBLEM, Convertamatic
111	363 855	2	WHEEL, Bumper	129	016 558	2	DECAL, Stripe
112	381 438	1	SKIRT ASSEMBLY, Right 32"	130	380 800	1	TANK ASSEMBLY, Recovery <b>TSB # 520,</b>
	400 467	1	SKIRT ASSEMBLY, Right 38"	131	016 555	1	DECAL, Solution Tank <b>6-7</b>
	381 381	1	SKIRT, Right 32"		016 557	1	DECAL, Recovery Tank
	400 416	1	SKIRT, Right 38"	132	380 285	1	DOOR WELDMENT
113	365 548	2	LOCK ASSEMBLY <b>TSB 600-G2</b>	133	379 187	1	HOOD ASSEMBLY
114	362 085	2	BUMPER	134	380 132	1	FASTENER
	362 107	2	STRAP, Bumper		380 137	1	RETAINER
115	402 141	1	PLATE				
116	402 184	1	PLATE, Spacer Left				
	402 168	1	PLATE, Spacer Right (Not Shown)				
117	402 133	1	COVER PLATE WELDMENT				
118	381 349	2	SPLASH GUARD, 32"				
	400 289	2	SPLASH GUARD, 38"				
119	381 330	2	STRAP, Splash Guard 32"				
	400 262	2	STRAP, Splash Guard 38"				
120	381 411	1	SKIRT ASSEMBLY, Left 32"				

HOUSING ASSEMBLY



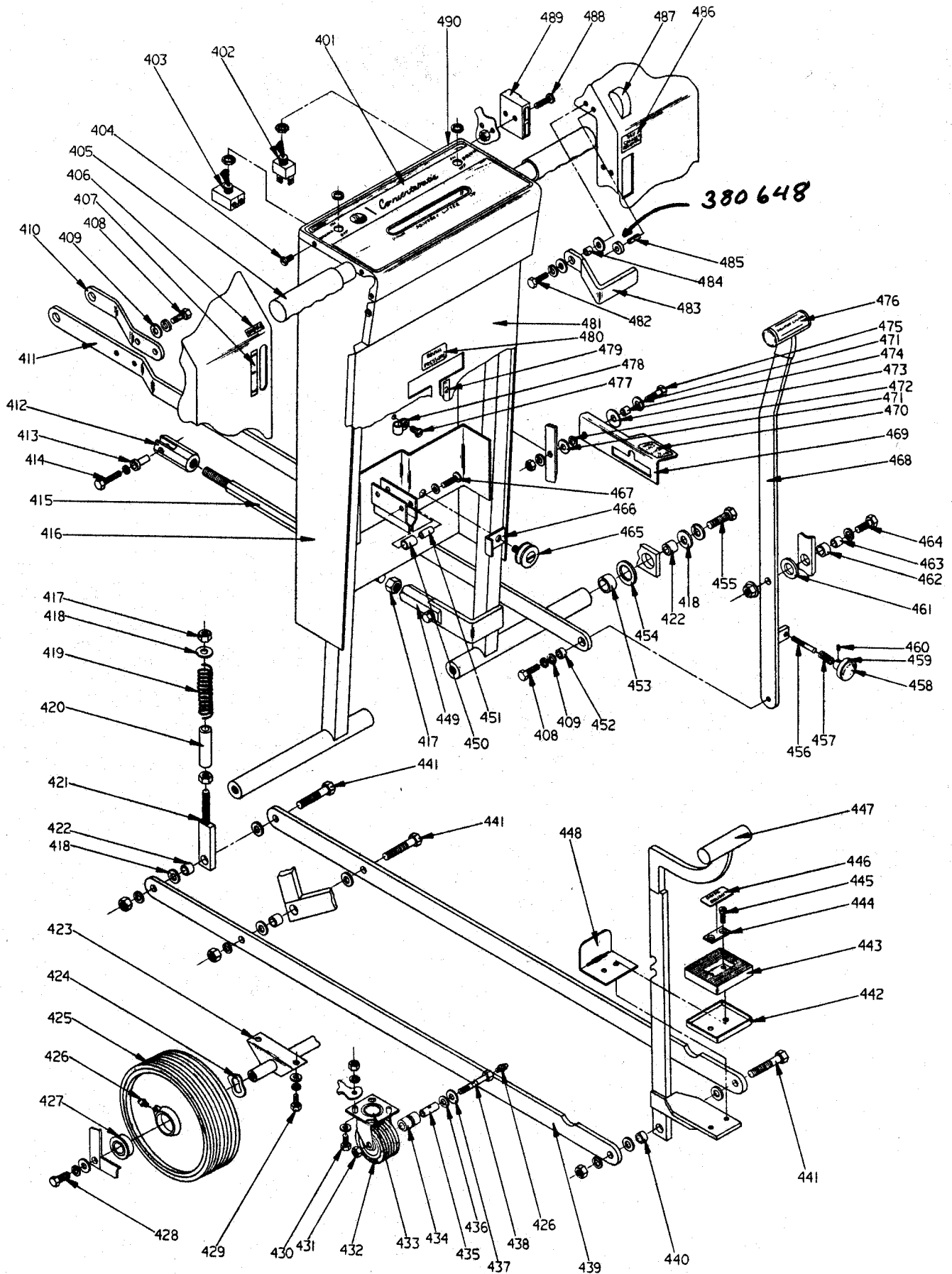
ITEM	PART NO.	QTY.	DESCRIPTION
201	016 225	1	DECAL, Maintenance
202	321 125	6	RING, Retaining
203	379 180	1	HOOD WELDMENT
204	016 575	1	DECAL, Hood
205	379 170	6	SPRING
206	379 192	1	MOUNT WELDMENT
207	379 186	1	COVER
	379 189	1	COVER W/GASKET
208	385 245	2	GASKET
209	379 197	1	MOUNT WELDMENT
210	385 247	1	GASKET
211	385 198	1	FLOAT
212	385 237	1	COVER
	385 239	1	COVER W/GASKETS
213	379 206	1	DEFLECTOR
214		8	SCREW, Pan Hd. 10-24 X 3/8 W/Washer (Brass)
215	329 145	2	CLAMP, Hose
216	404 164	1	HOSE, Vacuum
217	386 312	2	STOP, Hood
218		2	NUT, Hex 1/4-20
219	379 184	1	HINGE
220		20	SCREW, Pan Hd. 10-24 X 5/16 W/Washer

TSB 520, 6-7, 352

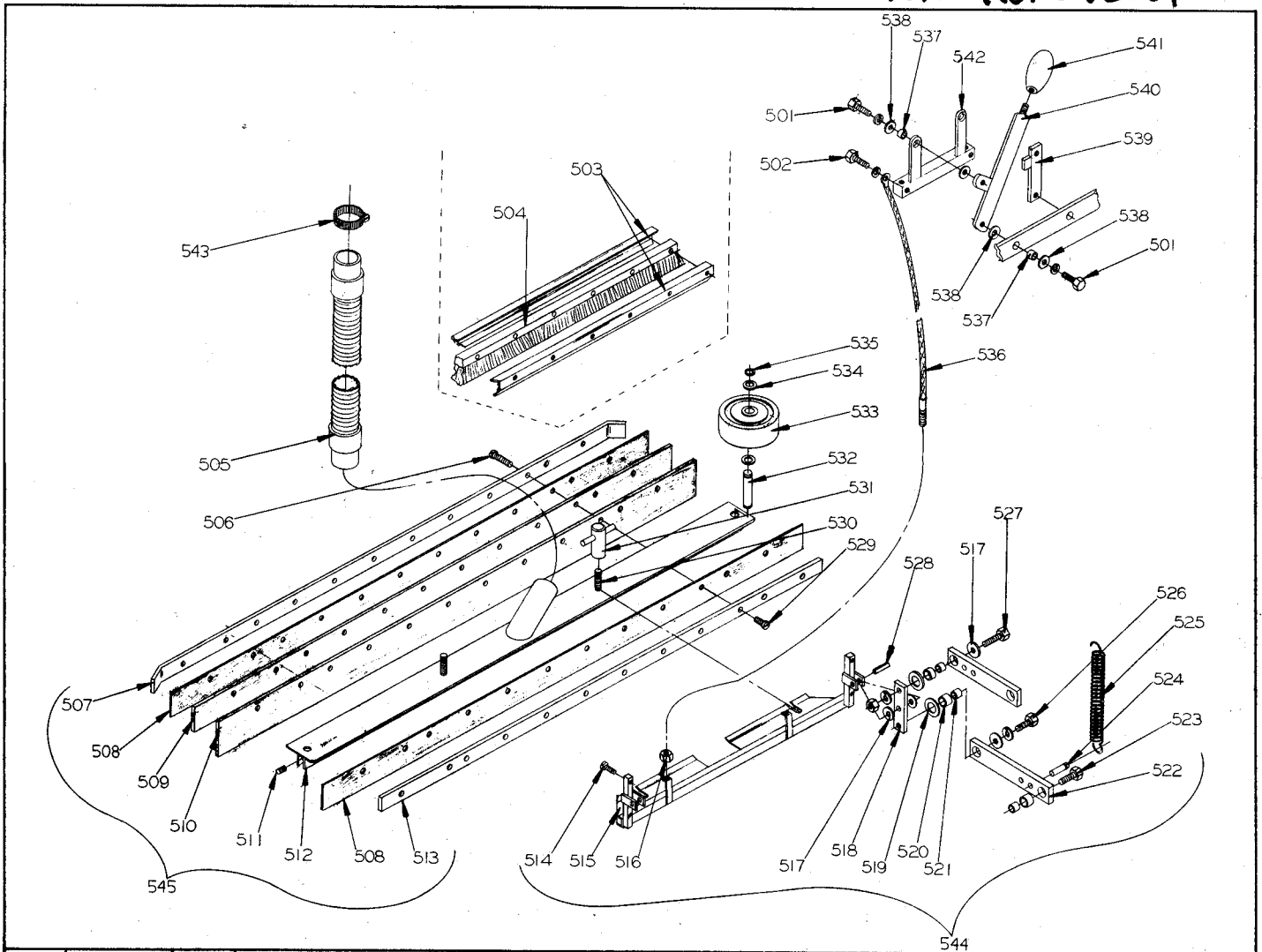


ITEM	PART NO.	Qty.	DESCRIPTION	ITEM	PART NO.	Qty.	DESCRIPTION
301		4	SCREW, Pan Hd. 1/4-20 X 1/2	327	380 757	1	TUBE, Recovery
302	360 791	2	HANDLE	328		16	WASHER, Shakeproof 1/4
303		20	NUT, Hex 1/4	329	380 820	2	HINGE WELDMENT, with rod
304	379 125	1	STRAINER	330	329 145	2	CLAMP, Hose
305		28	SCREW, Rd. Hd. 1/4-20 X 5/8 Brass	331	380 150	1	HOSE, Drain
306	016 199	1	DECAL, Wiring	332		1	SCREW, Pan Hd. 1/4-20 X 1/2 Brass
307	379 091	1	TANK ASSEMBLY, Solution (W/Decals & Hardware)	333	380 720	1	WASHER, Brass
308	244 969	2	CLAMP, Hose	334	380 722	1	WASHER, Rubber
309	406 041	1	PIPING ASSEMBLY	335	380 708	1	VALVE ASSEMBLY
310	379 105	2	TUBE, Flexible	336	380 285	1	DOOR WELDMENT
311	390 501	2	VALVE ASSEMBLY	337	380 132	1	FASTENER, Latch
312		5	SCREW, Hex Hd. 1/4-20 X 1/2 W/Spring Lkw.	338	380 137	1	RETAINER, Fastener
313	405 920	2	STOP, Nut	339	380 141	1	RECEPTACLE, Door Latch
314	379 096	1	TUBE, Flexible Left	340		7	SCREW, Pan Hd. 10-24 X 3/8 W/Whiz Nut
	379 108	1	TUBE, Flexible Right (Not Shown)	341	380 135	1	BRACKET, Latch
315	405 876	1	BRACKET, Valve	342	380 308	1	PANEL WELDMENT
316	368 989	2	BUSHING	343		2	SCREW, Pan Hd. 10-24 X 3/8 W/Shakeproof Washer
317	150 142	4	WASHER	344		1	SCREW, Pan Hd. 1/4-20 X 1/2 W/Lkw.
318		2	SCREW, Hex Hd. 1/4-20 X 1/2 W/Lkw. & Nut	345	384 708	1	BUSHING, Shoulder
319		2	SCREW, Hex Hd. 1/4-20 X 3/4 W/Lkw.	346	381 200	1	LATCH, Hood
320	245 010	2	SPRING	347	016 183	1	DECAL, Release
321	379 139	1	HOSE	348		1	SCREW, Hex Hd. 1/4-20 X 3/4 W/Washer, Lkw. & Nut
322	379 114	1	FITTING	349	163 872	1	BUSHING
323	379 120	1	FITTING, Ell	350		2	WASHER, 1/4
324	379 202	1	PLATE	351	401 984	1	CHASSIS WELDMENT
325	380 763	3	GASKET	352	380 800	1	TANK ASSEMBLY, Recovery (W/Decals & Hardware)
326	380 748	1	TUBE WELDMENT	353	016 184	1	DECAL, Close Valve

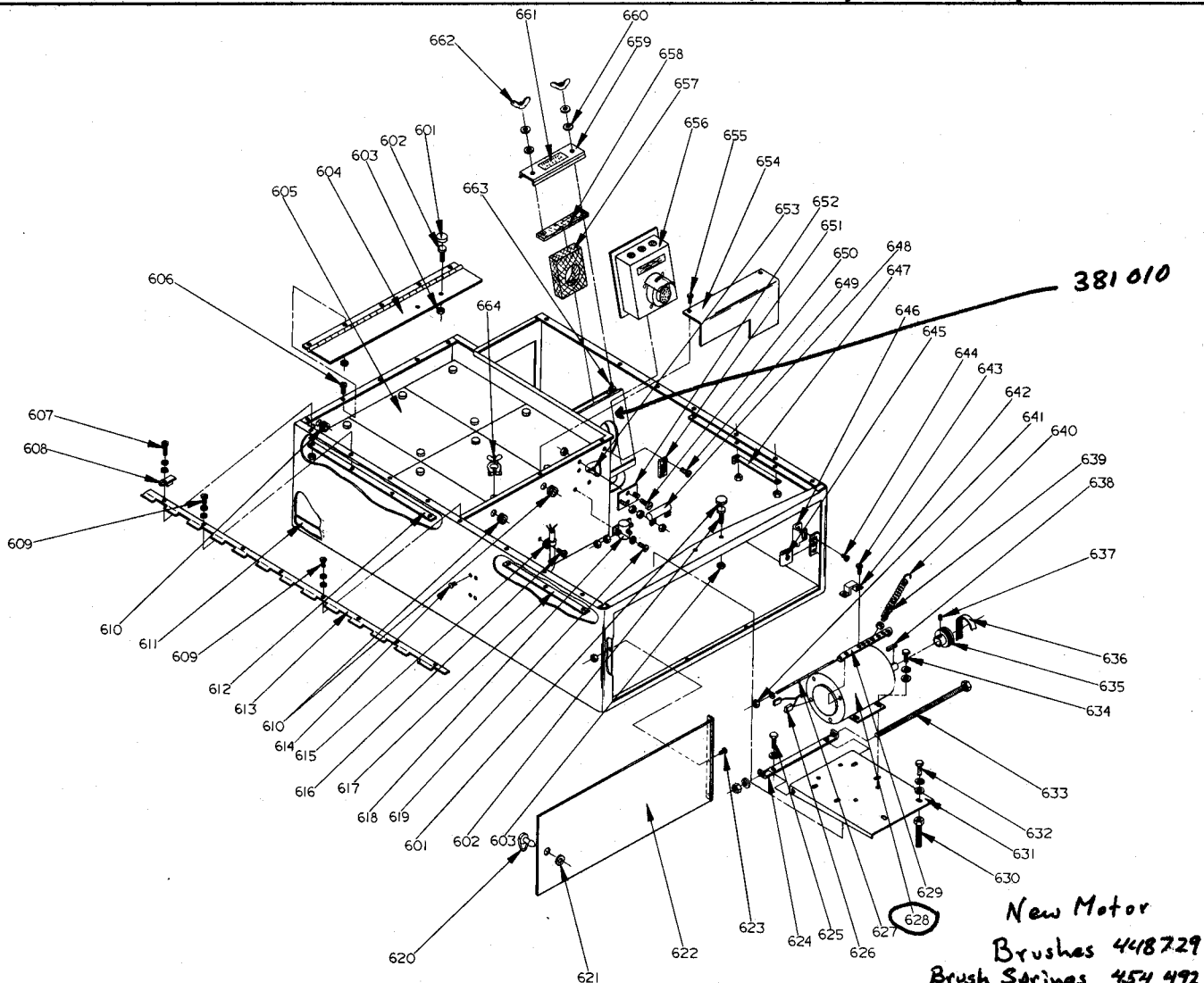
TANK ASSEMBLIES



ITEM	PART NO.	Qty.	DESCRIPTION	ITEM	PART NO.	Qty.	DESCRIPTION
401	016 142	1	DECAL, Control Panel	446	016 281	1	DECAL, Brush
402	370 347	1	SWITCH, Brush	447	379 795	1	PEDAL WELDMENT
403	200 340	1	SWITCH, Vacuum	448	380 255	1	FOOT GUARD
404		8	SCREW, Pan Hd. Self-Tapping 6-32 X 1/2	449	366 617	1	YOKE, Right Hand
405	366 773	2	GRIP	450	365 088	2	BUSHING
406	055 673	1	DECAL, Brake (Drive Model Only)	451	365 089	2	BUSHING
407	055 676	1	DECAL, Brake (Drive Model Only)	452	368 989	1	BUSHING
408		3	SCREW, Hex Hd. 1/4-20 X 1/2 W/Spring Lkw.	453	367 168	4	BEARING
409	150 142	3	WASHER	454	367 192	4	WASHER
410	405 949	1	LEVER, Inner Valve	455		4	SCREW, Hex Hd. 1/2-13 X 1 1/4 W/Lkw.
411	405 967	1	LEVER	456	405 909	1	SCREW, Stud
412	366 609	1	YOKE, Left Hand	457	405 911	1	SPRING
413	366 625	2	BUSHING, Shoulder	458	025 432	1	DECAL, Flow Control
414		2	SCREW, HexHd. 3/8-16 X 1 3/8 Lkw.	459	405 913	1	KNOB, Solution
415	378 461	1	ROD	460		1	PIN, Spring 1/8 X 7/8
416	378 527	1	PANEL WELDMENT (Standard Model)	461	367 184	1	WASHER, Thrust
	401 580	1	PANEL WELDMENT (Drive Model)	462	370 878	1	BEARING, Sleeve
417		3	NUT, 1/2-13	463	360 627	1	BUSHING
418	367 214	11	WASHER	464		1	SCREW, Hex Hd. 1/2-13 X 1 1/4 W/Lkw. & Nut
419	372 129	1	SPRING	465	159 749	4	PULLEY
420	372 110	1	SPACER	466	390 778	4	GUIDE
421	379 786	1	ARM	467		2	SCREW, Pan Hd. 10-24 X 1 W/Lkw.
422	367 206	10	BUSHING	468	405 907	1	LEVER WELDMENT
423	380 636	1	AXLE WELDMENT (Standard Model Only)	469	364 502	1	LATCH, Handle
424	362 883	2	WASHER, Bowed (Standard Model Only)	470	015 576	1	DECAL, Handle Release
425	377 945	2	WHEEL W/BEARINGS (Standard Model Only)	471	151 114	2	WASHER
426	101 737	3	GREASE FITTING	472	151 041	1	WASHER, Bowed
427	362 352	4	BEARING, Ball	473	151 068	1	WASHER, Fiber
428		2	SCREW, Hex Hd. 1/4-20 X 7/8 W/Lkw. & Washer	474	368 997	1	BUSHING
429		4	SCREW, Hex Hd. 3/8-16 X 3/8 W/Lkw. & Washer	475		1	SCREW, Hex Hd. 1/4-20 X 3/4 W/Lkw. & Nut
430		4	SCREW, Hex Hd. 3/8-16 X 1 W/Lkw., Washer & Nut	476	015 776	1	DECAL, Solution
431		1	NUT, 1/2-13	477		1	SCREW, Pan Hd. 10-24 X 1/4
432	365 629	1	CASTER ASSEMBLY	478	300 152	1	CLAMP, Cord
	365 742	1	WHEEL W/HARDWARE	479	055 675	1	DECAL, Pressure
433	365 661	1	FORK, Caster	480	054 195	1	DECAL, Brush Pressure
434	365 718	1	BEARINGS, Roller	481	379 874	1	PANEL
435	365 734	1	BUSHING, Sleeve	482		2	SCREW, Hex Hd. 1/4-20 X 3/4 W/Lkw. & 2 Washers
436	365 726	2	SEAL	483	364 506	2	HANDLE
437	365 750	2	WASHER	484	379 298	2	BUSHING
438	365 645	1	BOLT, Axle	485	157 880	2	PIN, Spring
439	378 590	2	ARM	486	055 672	1	DECAL, Charger
440	365 030	1	BUSHING	487	380 330	1	METER, Volt
441		3	SCREW, Hex Hd. 1/2-13 X 1 3/4 W/Lkw. & nut	488		2	SCREW, Rd. Hd. 1/4-20 X 1 1/4 W/Whiz Nut
442	365 087	1	CUP, Pedal	489	364 194	1	PLUG ASSEMBLY, Charger
443	365 086	1	PAD, Rubber		371 408	1	PLUG CONNECTOR
444	365 081	1	PLATE	490	379 665	1	PANEL, Control
445		2	SCREW, Flat Hd. 1/4-20 X 1				

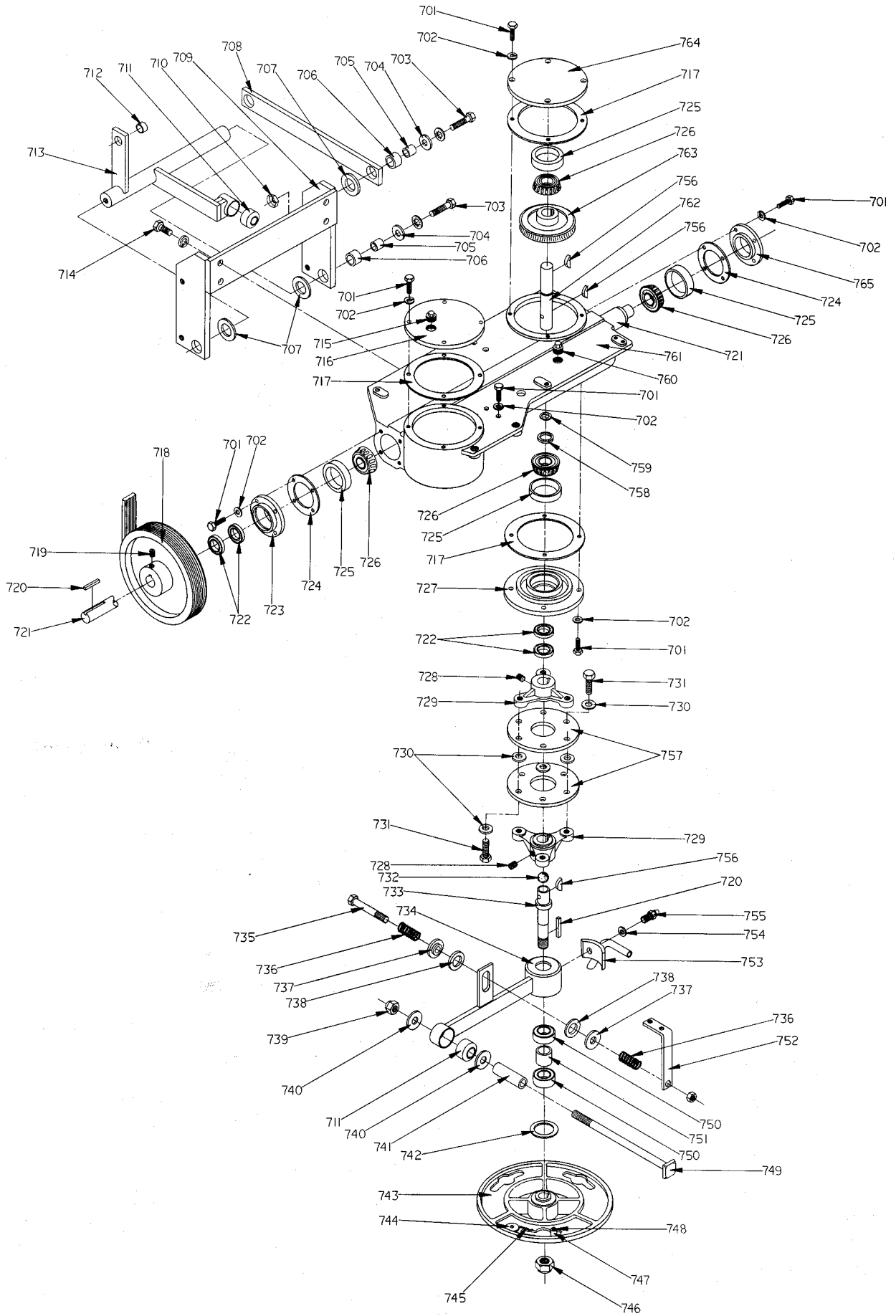


ITEM	PART NO.	Qty.	DESCRIPTION	ITEM	PART NO.	Qty.	DESCRIPTION
501		4	SCREW, Hex Hd. 1/4-20 X 3/4 W/Lkw.	525	370 746	4	SPRING
502		2	SCREW, Hex Hd. 1/4-20 X 1/2	526		2	SCREW, Hex Hd. 1/4-20 X 7/8 W/Lkw.
503	379 421	2	PLATE, 32"	527		2	SCREW, Hex Hd. 1/4-20 X 1 1/4 W/Lkw. & Nut
	400 448	2	PLATE, 38"	528		2	PIN, 1/4 X 7/8
504	379 416	1	BRUSH, 32"	529	378 236	12	SCREW, Pan Hd. 8-32 X 5/16 (13 on 38")
	400 446	1	BRUSH, 38"	530		2	SCREW, Fill. Hd. 5/16-18 X 3/4
505	379 208	1	HOSE ASSEMBLY	531	370 711	2	THUMB NUT
506	378 230	12	SCREW (13 on 38")	532	370 983	2	AXLE
507	474 644	1	STRAP, Rear 32"	533	324 499	2	WHEEL
	400 552	1	STRAP, Rear 38"	534	371 009	4	WASHER
508	474 650	2	BLADE, Neoprene 32"	535	157 066	2	RING, Retaining
	400 574	2	BLADE, Neoprene 38"	536	390 774	2	CABLE
509	474 647	1	BLADE, Neoprene 32"	537	379 298	4	BUSHING
	400 566	1	BLADE, Neoprene 38"	538	151 114	8	WASHER
510	474 645	1	BLADE, Gum 32"	539	379 255	1	ARM
	400 558	1	BLADE, Gum 38"	540	379 247	1	HANDLE WELDMENT
511		2	SCREW, Socket Set 1/4-20 X 3/16	541	364 527	1	KNOB
512	379 440	1	TOOL WELDMENT, 32"	542	379 252	1	YOKE
	400 598	1	TOOL WELDMENT, 38"	543	329 145	1	CLAMP, Hose
513	474 642	1	STRAP, Front 32"	544	379 450	1	MOUNT ASSEMBLY
	400 544	1	STRAP, Rear 38"	545	379 412	1	WET PICK-UP TOOL, 32"
514		4	SCREW, Rd. Hd. 1/4-20 X 1 1/2		400 512	1	WET PICK-UP TOOL, 38"
515	379 430	1	MOUNT WELDMENT		379 413	1	DRY PICK-UP TOOL, 32"
516		1	NUT, 1/4-20		400 444	1	DRY PICK-UP TOOL, 38"
517	150 142	8	WASHER				
518	370 673	2	BAR				
519	370 762	4	BEARING, Thrust				
520	370 754	8	BEARING				
521	366 862	8	BUSHING				
522	370 681	4	ARM				
523		4	SCREW, Hex Hd. 1/4-20 X 5/8				
524	370 789	8	PIN				



ITEM	PART NO.	QTY.	DESCRIPTION	ITEM	PART NO.	QTY.	DESCRIPTION
601	401 788	4	CAP, Snap-On	636	379 727	1	SHEAVE 38"
602	401 783	4	LEVELER, Tank	378 853		1	BELT, Poly-V 32"
603		4	NUT, Hex 5/16 - 18	378 852		1	BELT, Poly-V 38"
604	381 076	1	COVER WELDMENT	637		2	SCREW, Socket Set 5/16-18 X 3/8
605	372 730	6	BATTERY, 6 Volt 220 A.H.	638	378 704	1	KEY
606		5	SCREW, Pan Hd. 10-24 X 1/2 W/Nut	639		1	SCREW, Rd. Hd. 1/4-20 X 1 1/2 W/Nut
607		7	SCREW, Pan Hd. 10-24 X 5/8 W/Washer, Bowed Washer & Nut	640	371 114	1	SPRING
608	381 053	4	CLIP	641		2	NUT, Hex 1/4 W/2 Lkw.
609		9	SCREW, Pan Hd. 10-24 X 1/2 W/Washer & Bowed Washer	642	379 813	1	BRACKET
610	157 376	4	GROMMET	643		2	SCREW, Hex Hd. 1/4-20 X 1/4
611	380 960	1	TRAY, Battery	644		2	SCREW, Hex Hd. 10-24 X 3/8 W/Whiz Nut
612	385 414	3	PLATE, Nut	645	380 141	1	RECEPTACLE
613	381 070	2	HINGE	646	374 877	1	BRACKET
614	153 699	2	BUTTON, Plug	647	381 097	1	BRACKET
615	300 152	1	CLAMP, Cord	648	448 733	1	FUSE
616		5	SCREW, Pan Hd. 10-24 X 1/4	649		2	SCREW, Pan Hd. 10-24 X 1/2
617	386 286	1	PLATE, Nut	650		2	SCREW, Flat Hd. 10-24 X 1/2 W/Nut
618	379 468	1	SOLENOID	651	380 548	2	BLOCK, Terminal
619		2	SCREW, Pan Hd. 10-24 X 3/8 W/Washer & Nut	652	448 741	1	BLOCK, Fuse
620	380 132	1	FASTENER	653	402 940	2	BUMPER
621	380 137	1	RETAINER	654	381 046	1	COVER
622	378 982	1	DOOR ASSEMBLY, Front	655		2	SCREW, Pan Hd. 10-24 X 3/8
623		3	SCREW, Pan Hd. 10-24 X 3/8 W/Whiz Nut	656	380 900	2	VACUUM MOTOR ASSEMBLY
624	378 658	1	PLATE	657	380 918	1	FILTER
625		2	SCREW, Hex Hd. 1/4-20 X 3/4 W/Lkw.	658	380 991	1	GASKET
626	378 686	2	BRUSH SET (Set of 2)	659	380 886	1	PLATE
627	379 811	1	STUD	660	380 875	2	WASHER, Fiber
628	378 623	1	MOTOR DRIVE	661	016 545	1	DECAL, Instruction
629	372 235	1	BRACKET	662		2	NUT, Wing 1/4-20 W/2 Flat Washer
630	378 631	2	SCREW, Adjusting	663		2	STUD, 1/4-20 X 1 W/2 Nut
631	378 666	1	BRACKET, Mounting	664	398 090	1	CLAMP, Terminal
632		2	SCREW, Hex Hd. 5/16-18 X 5/8 W/Lkw. & Washer				
633	378 692	1	BOLT				
634		4	SCREW, Hex Hd. 5/16-18 X 3/4 W/Lkw. & Nut & Washer				
635	379 728	1	SHEAVE 32"				

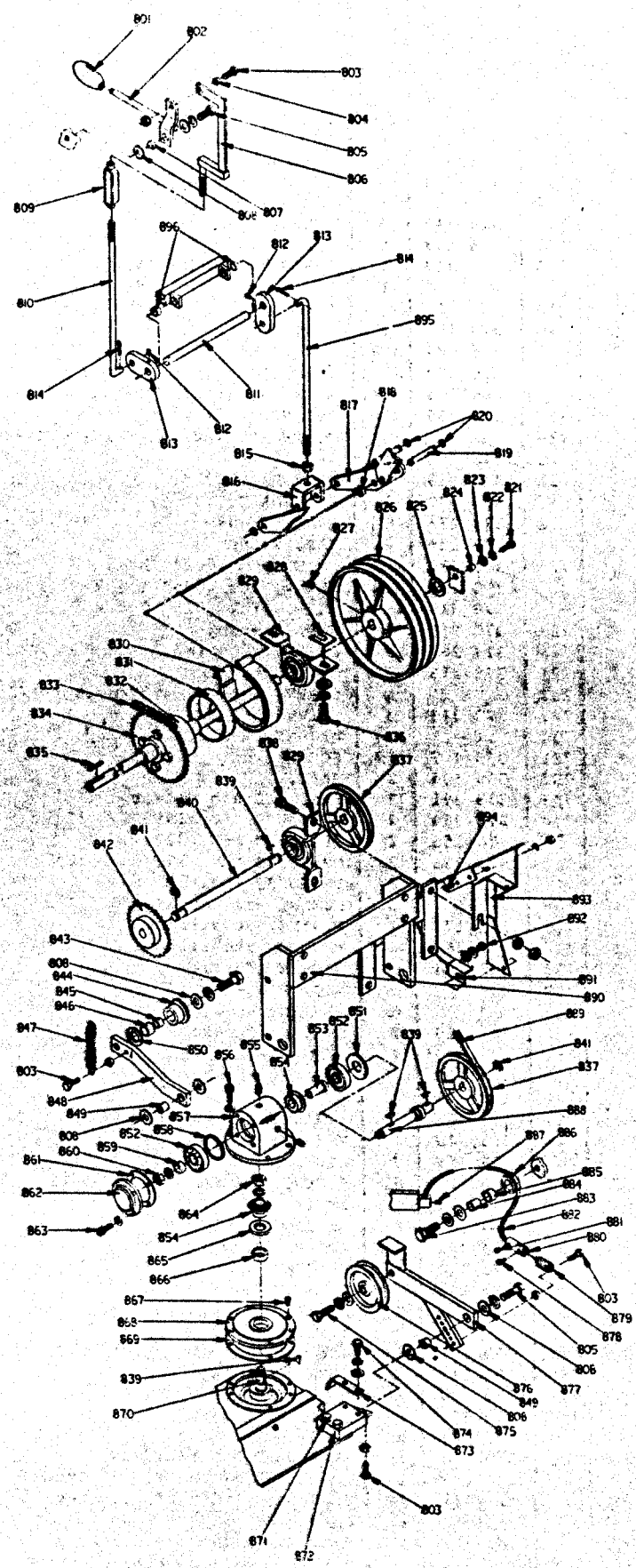
BATTERY HOUSING ASSEMBLY

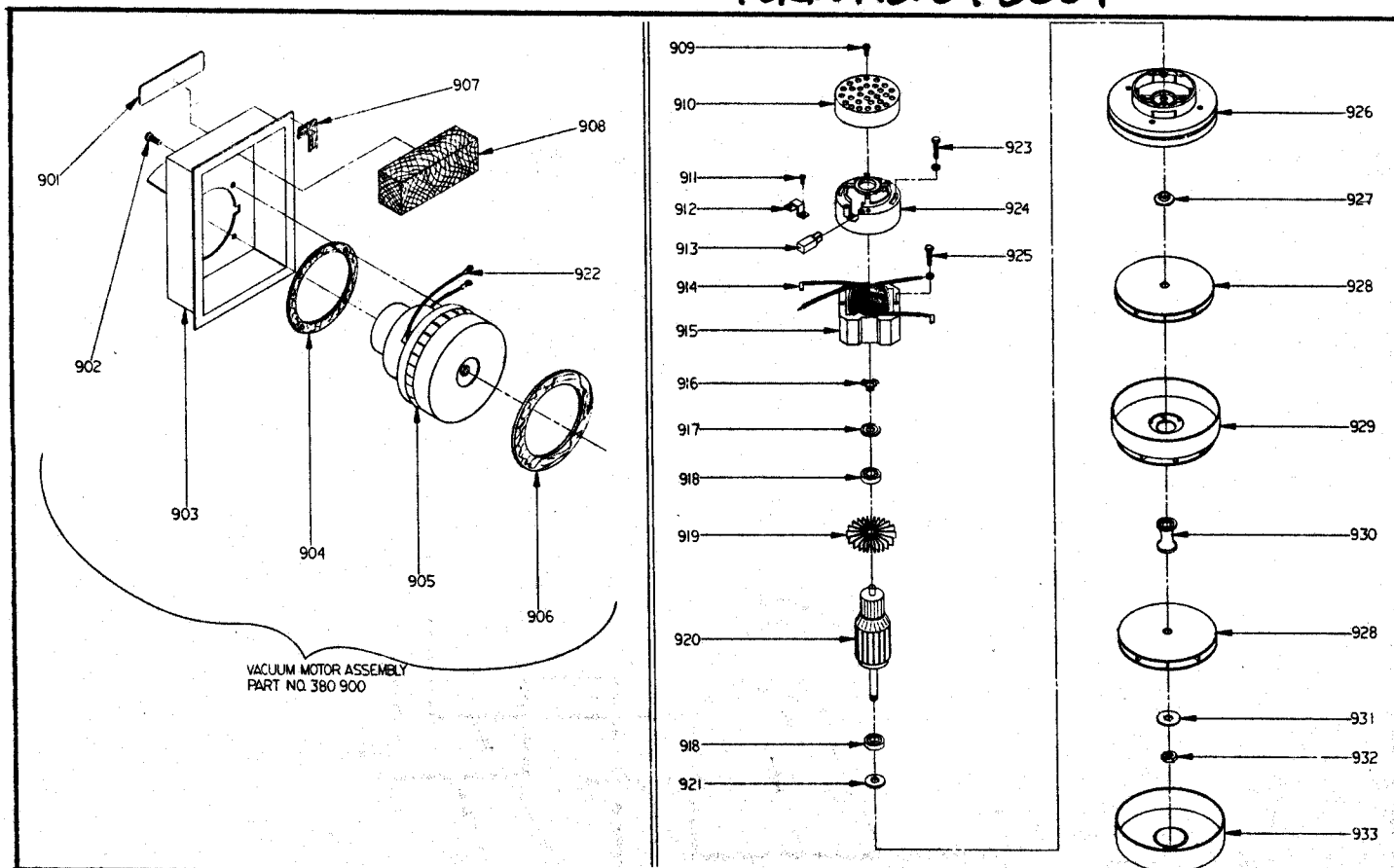


## GEAR CASE ASSEMBLY

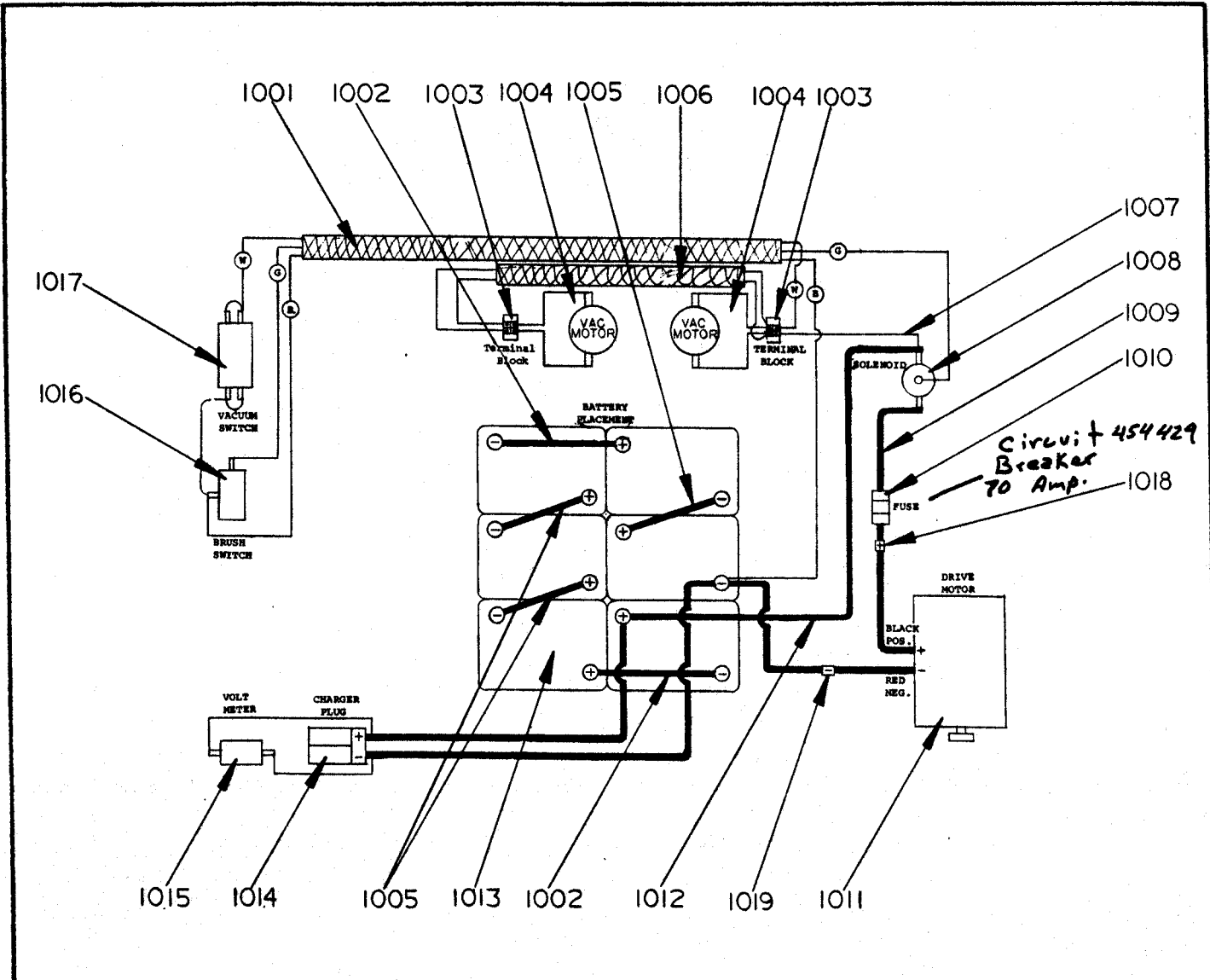
Item	Part No.	Qty	Description	Item	Part No.	Qty	Description
701	366285	24	Screw (20 on Drive Model)	735		2	Screw, Hex Hd. 3/8-16 X 2-3/4
702		24	Lockwasher, 1/4	736	171177	4	Spring, Stabilizer
703		10	Screw, Hex Hd. 1/2-13 X 1-1/4 W/Shakeproof Washer	737	440760	4	Washer, Stabilizer
				738	367184	4	Washer, Thrust
704	367214	10	Washer	739		1	Nut, Flex -Loc 1/2-13
705	367206	10	Bushing	740		6	Washer, Wrought
706	367168	10	Bearing	741	378429	2	Spacer, Pressure Arm
707	367192	10	Spacer	742	378399	2	Ring, Retaining
708	402249	4	Arm, Gear Box	743	378690	2	Holder, Brush
709	378593	1	Bracket, Gear Box 32"	744	151114	2	Washer
	402346	1	Bracket, Gear Box 38"	745	366463	2	Spring, Retaining
710	441236	4	Locknut	746	378348	2	Nut, Flex-Loc
711	114545	3	Bushing, Rubber	747	366455	2	Stop, Brush Holder
712	366633	1	Bearing	748		6	Screw, Pan Hd. 10-24 X 5/16
713	378410	1	Lever, Pressure Arm	749	378445	1	Bolt, Tie
714		4	Screw, Hex Hd. 3/8-16 X 1	750	378380	4	Bearing, Ball
715	366269	1	Plug, Vent	751	378372	2	Spacer, Bearing
716	378186	1	Cap, Top	752	378437	2	Bracket, Stabilizer
717	366684	A.R.	Shim, Red .002" Thick	753	369144	2	Pipe, Water Feed
	366692	A.R.	Shim, Blue .005" Thick	754		2	Washer, Shakeproof 1/4
	366706	A.R.	Shim, Pink .015" Thick	755	369128	2	Fitting, Grease
718	379735	1	Sheave, Wormshaft	756	378291	6	Key
719		2	Screw, Socket Set 5/16-18 X 3/8	757	104647	4	Thermoid Disc
720	378704	3	Key	758	378240	2	Spacer, Shaft
721	378119	1	Wormshaft, 32"	759	378283	2	Ring, Retaining
	400971	1	Wormshaft, 38"	760	366277	2	Plug, Drain
722	378275	6	Seal, Grease	761	378070	1	Gear Case Assembly, 32"
723	378135	1	Cap, Front				<b>TSB 615, G-1</b>
724	378488	A.R.	Shim, Red .002" Thick	390119		1	Gear Case Assembly, 32 " Drive
	378496	A.R.	Shim, Blue .005" Thick				<b>TSB 615, G-1</b>
	378518	A.R.	Shim, Pink .015" Thick	401021		1	Gear Case Assembly, 38" Drive
							<b>TSB 615, G-1</b>
725	378259	6	Cup, Bearing				
726	378267	6	Bearing, Roller		378097	1	Gear Case, 32"
727	378216	2	Cap, Bottom		400963	1	Gear Case, 38"
728		4	Screw, Socket Set 3/8-16 X 1/2	762	378232	2	Shaft, Worm Gear
729	378313	4	Universal, Spider				(1 on Drive Model)
730		24	Washer, 3/8 S.A.E.	763	378224	2	Gear, Worm
731	366447	12	Screw	764	378194	1	Cap, Top
732	366404	2	Ball, 5/8	765	378151	1	Cap, Rear
733	378321	2	Shaft, Brush Holder				
734	378364	2	Pressure Arm Assembly, 32"				
	378356	2	Pressure Arm, 32"				
	401323	2	Pressure Arm Assembly, 38"				
	401226	2	Pressure Arm, 38"				

ITEM	PART NO.	Qty.	DESCRIPTION
801	364 527	1	KNOB
802	402 844	1	HANDLE, Brake
803		5	SCREW, Hex Hd. 1/4-20 X 3/4 W/Nut
804	368 997	1	BUSHING
805		1	SCREW, Hex Hd. 1/2-13 X 1 W/Lkw.
806	402 935	1	LINKAGE WELDMENT
807	365 030	1	BUSHING
808	367 214	7	WASHER
809	206 814	1	TURNBUCKLE
810	402 914	1	ROD, Upper
811	402 919	1	ROD, Brake
812		2	SCREW, Socket Set 1/4-20 X 1/4
813	402 922	2	PLATE
814		2	PIN, Cotter 1/16 X 3/8
815		1	NUT, Jam 1/4-20
816	402 971	1	BRACKET
817	402 990	2	ARM
818	328 022	2	BUSHING
819	402 995	3	PIN
820	321 427	6	RING, Snap
821	440 329	2	SCREW
822		2	LOCKWASHER, 1/4
823		2	WASHER, 1/4
824	368 989	2	BUSHING
825	367 192	2	WASHER
826	390 054	2	WHEEL
827		4	SCREW, Socket Set 5/16-18 X 5/8
828	390 925	A.R.	SHIM, Pillow Block
829	390 917	6	PILLOW BLOCK
830	402 745	1	STRAP, Brake
831	402 761	1	DRUM, Brake
832	390 801	1	DIFFERENTIAL
833	403 172	1	CHAIN, Roller
	445 096	1	LINK, Connector (For Replacement)
834	390 860	1	SPROCKET, Differential
835	370 010	2	KEY
836		6	SCREW, Hex Hd. 3/8-16 X 1/4 W/Lkw. & Washer
837	344 044	2	PULLEY, Gear Box
838		4	SCREW, Hex Hd. 3/8-16 X 1 W/Lkw. & Nut
839	154 083	5	KEY, Woodruff
840	391 123	1	SHAFT, 32"
	403 199	1	SHAFT, 38"
841	478 775	3	RING, Retaining
842	391 182	1	SPROCKET
843		1	SCREW, Hex Hd. 1/2-13 X 1 3/4 W/Lkw.
844	390 992	1	SPROCKET, Idler
845	367 206	1	BUSHING
846	367 168	1	BEARING
847	370 746	1	SPRING
848	390 933	1	ARM, Idler Sprocket
849	360 627	2	BUSHING
850	367 184	1	WASHER, Thrust
851	444 723	1	SEAL, Grease
852	108 537	2	BEARING, Ball
853	444 707	1	SPACER, Sleeve
854	109 088	2	GEAR, Bevel
855	366 269	2	PLUG, Vent
856		4	SCREW, Socket Hd. 1/4-20 X 1 W/Lkw.
857	444 634	1	HOUSING, Gear Box
858	444 731	1	RING, Retaining
859	444 677	1	SPACER
860		1	NUT, Hex Jam 9/16-18 W/Shakeproof Lkw.
861	366 730	1	SHIM, Pink .015" Thick
862	444 715	1	CAP, End
863		4	SCREW, Socket Hd. 1/4-20 X 5/8 W/Shakeproof Lkw.
864		1	NUT, Hex Jam 1/2-20 W/Shakeproof Lkw.
865	444 839	1	SHIM, Washer
866	378 275	1	SEAL, Grease
867		2	SCREW, Button Hd. Socket Cap 1/4-20 X 1/2
868	444 693	1	CAP, Bottom
869	366 684	A.R.	SHIM, Red .002" Thick
	366 692	A.R.	SHIM, Blue .005" Thick
	366 706	A.R.	SHIM, Pink .015" Thick
870	444 650	1	SHAFT, Worm Gear
871		2	SCREW, Hex Hd. 3/8-16 X 1 3/8 W/Lkw.
872	390 704	1	BLOCK, Mounting
873	390 828	1	GUIDE, Belt Front
874		2	SCREW, Hex Hd. 1/4-20 X 1/2 W/Washer & Lkw.
875		1	SCREW, Hex Hd. 3/8-16 X 1 3/8 W/Washer & Lkw.
876	390 682	1	SHEAVE, Flat
877	390 720	1	ARM, Belt Tightener
878		1	SCREW, Oval Hd. 6-32 X 1/2
879	112 054	1	SPRING
880	150 290	1	COUPLER, Cable
881		1	SCREW, Socket Set 8-32 X 1/4
882	390 766	1	CABLE
883		1	SCREW, Hex Hd. 7/16-14 X 1 W/Washer & Lkw.
884	159 794	1	BUSHING
885	159 778	1	BEARING
886	159 743	1	PULLEY
887		1	SCREW, Socket Set, 1/4-20 X 3/8
888	391 042	1	SHAFT, Miter Gear
889	390 607	1	BELT, Drive
890	390 275	1	BRACKET, Gear Box 92
	402 346	1	BRACKET, Gear Box 38"
891	390 887	1	GUIDE, Belt Bottom
892		1	SCREW, Pan Hd. 1/4-20 X 1/2 W/Washer & Lkw.
893	390 623	1	GUIDE, Belt
894		2	SCREW, Pan Hd. 10-24 X 1/2 W/Lkw. & Nut
895	402 910	1	ROD, Lower
896	370 754	2	BEARING, Sheave





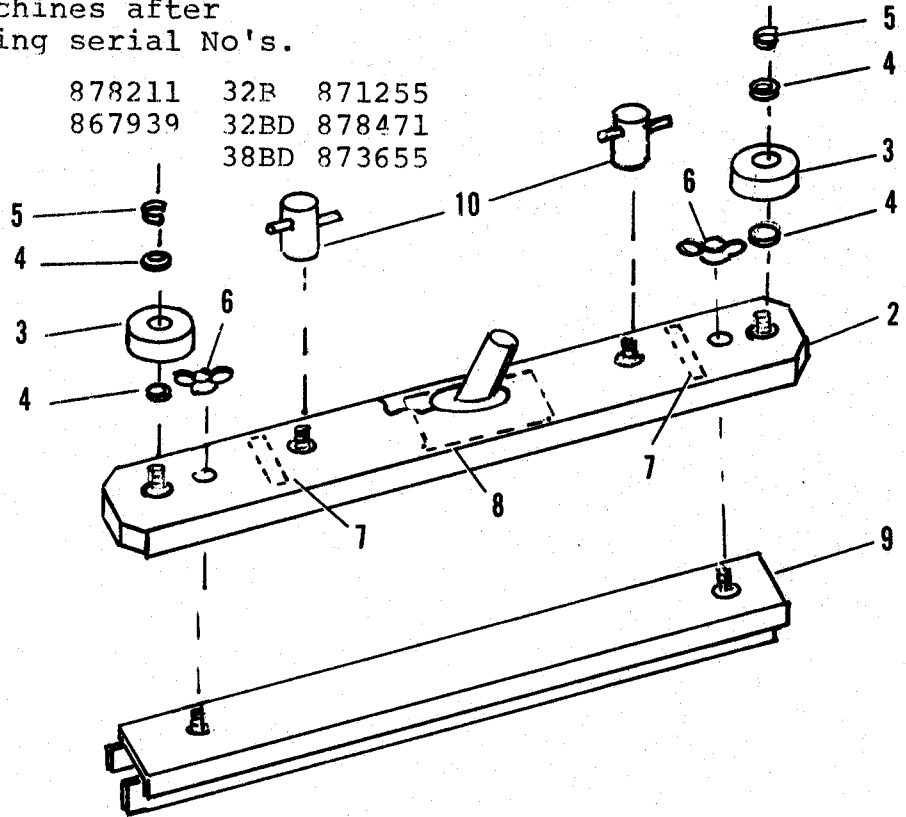
ITEM	PART NO.	Qty.	DESCRIPTION
901	016 546	1	DECAL, Up
902		4	SCREW, Pan Hd. 10-32 X 1/2 Self-Tapping
903	380 916	1	ADAPTOR WELDMENT W/Gasket & Decal
904	209 325	1	GASKET
905	202 324	1	VACUUM MOTOR W/Gaskets, 36V
906	380 905	1	GASKET
907	380 899	1	GASKET
908	380 922	1	FILTER, Vacuum
909	203 598	2	SCREW
910	208 108	1	SHELL
911	203 263	4	SCREW
912	208 132	2	CLAMP
913	208 264	2	BRUSH MECHANISM
914	203 584	1	CLIP, Field
915	208 248	1	FIELD
916	202 843	1	SPRING, Load
917	203 513	1	DISC
918	228 051	2	BEARING, Ball
919	203 589	1	FAN, Armature
920	208 256	1	ARMATURE
921	203 461	1	WASHER, Neoprene
922	325 314	2	TERMINAL
923	203 601	2	SCREW
924	208 140	1	BRACKET, Commutator End
925	203 558	2	SCREW
926	208 183	1	BRACKET & BEARING CLAMP
927	203 424	1	SPACER
928	208 191	2	FAN, Rotating
929	203 394	1	FAN, Stationary
930	203 516	1	SPACER
931	203 416	1	WASHER
932	203 440	1	NUT
933	203 408	1	FAN SHELL



ITEM	PART NO.	Qty.	DESCRIPTION
1001	381 550	1	WIRE ASSEMBLY
1002	363 936	2	CABLE, Battery
1003	380 548	2	BLOCK, Terminal
1004	202 234	2	VAC MOTOR W/Gaskets, 36V
1005	363 928	3	CABLE, Battery
1006	381 547	1	WIRE ASSEMBLY
1007	381 546	1	WIRE ASSEMBLY
1008	379 468	1	SOLENOID
1009	381 543	1	CABLE
1010	448 733	1	FUSE
1011	378 623	1	MOTOR, Drive
1012	381 540	1	CABLE
1013	372 730	6	BATTERY, 6 Volt 220 A.H.
1014	364 194	1	PLUG ASSEMBLY, Charger
1015	380 330	1	METER, Volt
1016	370 347	1	SWITCH, Brush
1017	200 340	1	SWITCH, Vacuum
1018	016 704	2	DECAL, Positive
1019	016 700	2	DECAL, Negative

New Squeegee Assembly -  
used on machines after  
the following serial No's.

Model 21B	878211	32B	871255
26B	867939	32BD	878471
		38BD	873655



INSERT SHEET FOR PARTS LISTS 042 047 , 042 059

ITEM	PART NO	QTY	DESCRIPTION
1	363 875	1	SQUEEGEE ASSEMBLY 21"
	372 975	1	SQUEEGEE ASSEMBLY 26"
	379 575	1	SQUEEGEE ASSEMBLY 32"
	400 600	1	SQUEEGEE ASSEMBLY 38"
	2	363 878	1
372 978		11	CHANNEL WELDMENT 26"
379 578		1	CHANNEL WELDMENT 32"
400 602		1	CHANNEL WELDMENT 38"
3		363 855	2
	324 499	2	WHEEL, 3.00 x .781 32", 38"
4	371 009	4	WASHER
5	157 066	2	RING, Retaining
6	379 711	2	NUT, Wing
7	400 614	2	GASKET
8	400 613	1	GASKET
9	363 882	1	SQUEEGEE REPLACEMENT CARTRIDGE 21" TSB 590-F4
	372 982	1	SQUEEGEE REPLACEMENT CARTRIDGE 26" TSB 590-F4
	379 584	1	SQUEEGEE REPLACEMENT CARTRIDGE 32" TSB 590-F4
	400 612	1	SQUEEGEE REPLACEMENT CARTRIDGE 38" TSB 590-F4
10	370 711	2	NUT, Thumb