



Electronic Service Manuals

This electronic document is provided as a service to our customers. We do not create the contents of the information contained in this document. Should you have detailed questions pertaining to the information contained in this document, you may contact Michco, or the manufacturer which provided the original information in this electronic deliverable. Michco's only part in this electronic deliverable was the electronic assembly process.

You may contact Michco through the following methods:
Phone (517) 484-9312 or (800) 331-3339 MI, OH, IN only
2011 N. High St. -- Lansing, Michigan -- 48906
Fax: (517) 484-9836
Email: CustServ@Michco.com
Web site: www.Michco.Com
Parts Web site: www.FloorMachineParts.Com

Order Parts on Line at:
www.FloorMachineParts.Com

Directly to Parts & Service:
By Email: **Shop@Michco.com**
By Fax: (517) 702-2041
By Voice: Use numbers above.

Serving the Cleaning Industry Since 1922

Notice: All copyrighted material remains property of original owners, all trademarks are property of respective owners. Manuals are subject to Manufacturer's reproduction limitations. Originals or reproductions were provided by manufacturers through a request. We make no warranty as to the correctness of information provided in this document and you assume all risk.

Convertamatic™ 260B

Hydro-Retriever™ 260BHD



PARTS LIST

Advance MODELS 56372470(260B)

56372480(260BHD / OBSOLETE)

This parts list is for machines after serial number 1122125



Advance

by Nilfisk-Advance

revised 10/02 Form Number 56042307

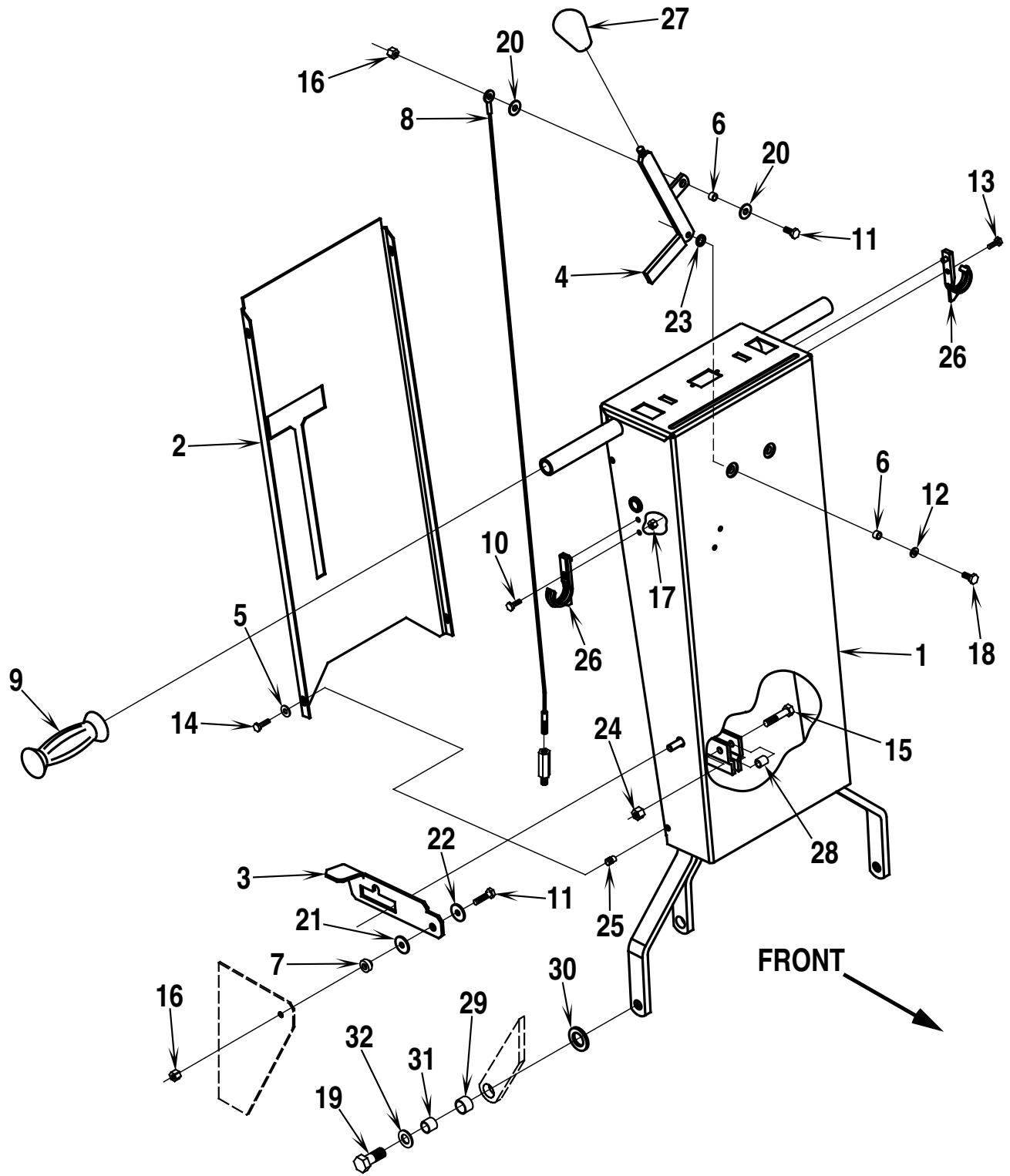
TABLE OF CONTENTS

<u>DESCRIPTION</u>	<u>PAGE</u>
Control Handle System	1-2
Chassis / Battery Case Systems	3-4
Skirt Systems	5-6
Squeegee System	7-8
Wheel Drive System	9-10
Vacuum Motor System	11-12
Brush Lift System	13-14
Brush Drive System	15-16
Pads	16
Recovery System	17-18
Solution System	19-20
Decal System	21-22
Electrical System	23-24
Wiring Diagram	25-26

WHEN ORDERING PARTS

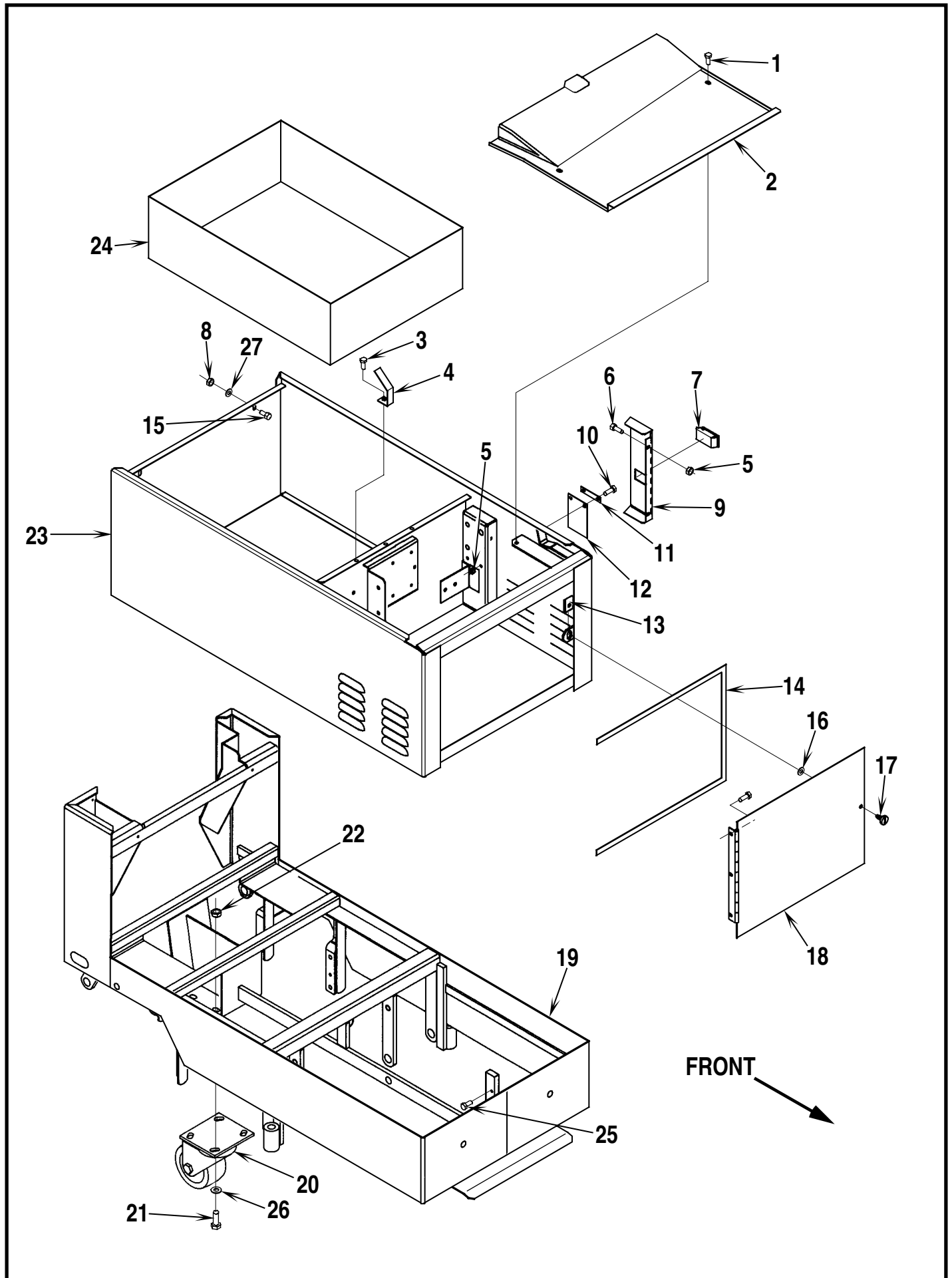
- * Use the 8 digit numbers from the "Ref. No." columns in this parts list.
- * Specify the model and serial number of the machine.
- * Use the space below to record the model and serial number for future reference.

Model _____ Serial No. _____



HANDLE SYSTEM

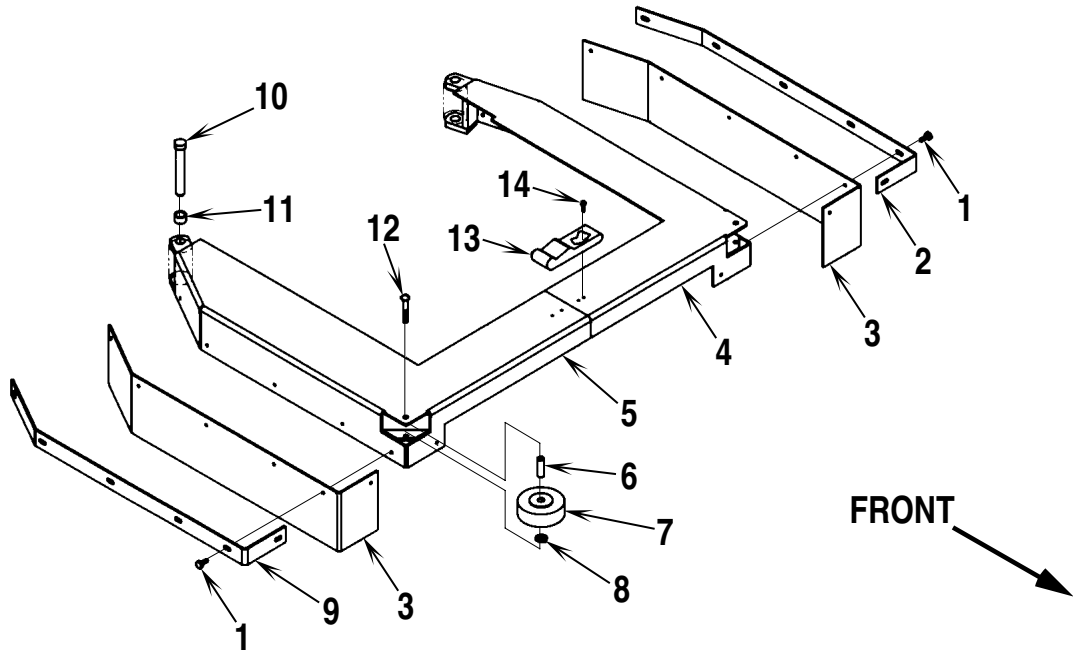
Item	Ref. No.	Qty	Description
1	56372138	1	Handle
2	56372140	1	Panel, Cover
3	56372141	1	Latch, Handle
4	56372638	1	Lever
5	56002875	4	Wsh, Flt SAE SS #8
6	56206784	2	Bushing
7	56384708	1	Bushing
8	56384909	1	Wire Rope
9	56388545	2	Grip, Handle
10	56001993	1	Scr, Pan Phil 10-24 x .50
11	56001821	2	Scr, Hex Hd 1/4-20 x .88
12	56002098	1	Wsh, Flt SAE 1/4
13	56002124	1	Scr, Pan Phil 10-24 x .62
14	56002874	4	Scr, Hex Hd SS 8-32 x .75
15	56002094	2	Scr, Hex Hd 5/16-18 x 1.50
16	56002708	2	Nut, Hex Nyl Loc 1/4-20
17	56002832	2	Nut, Hex Nyl Loc-Thin 10-24
18	56002922	1	Scr, Hex Hd Loc 1/4-20 x .62
19	56003022	2	Scr, Hex Hd Loc 1/2-13 x 1.25
20	56009025	2	Wsh, Flt .26 x .75 x .03
21	56009024	1	Washer, Bowed .375
22	56009002	1	Wsh, .26 x .90 x .06
23	56009023	1	Wsh, Wave .375
24	56002826	2	Nut, Hex Nyl Loc-Thin 5/16-18
25	56009027	4	Nutsert 8-32
26	56324349	2	Hook
27	56364527	1	Knob
28	56365088	2	Bushing
29	56367168	2	Bearing
30	56009022	2	Wsh, Flt .75 x 1.25 x .12
31	56367206	2	Bushing
32	56009017	2	Wsh, Flt .51 x .94 x .07



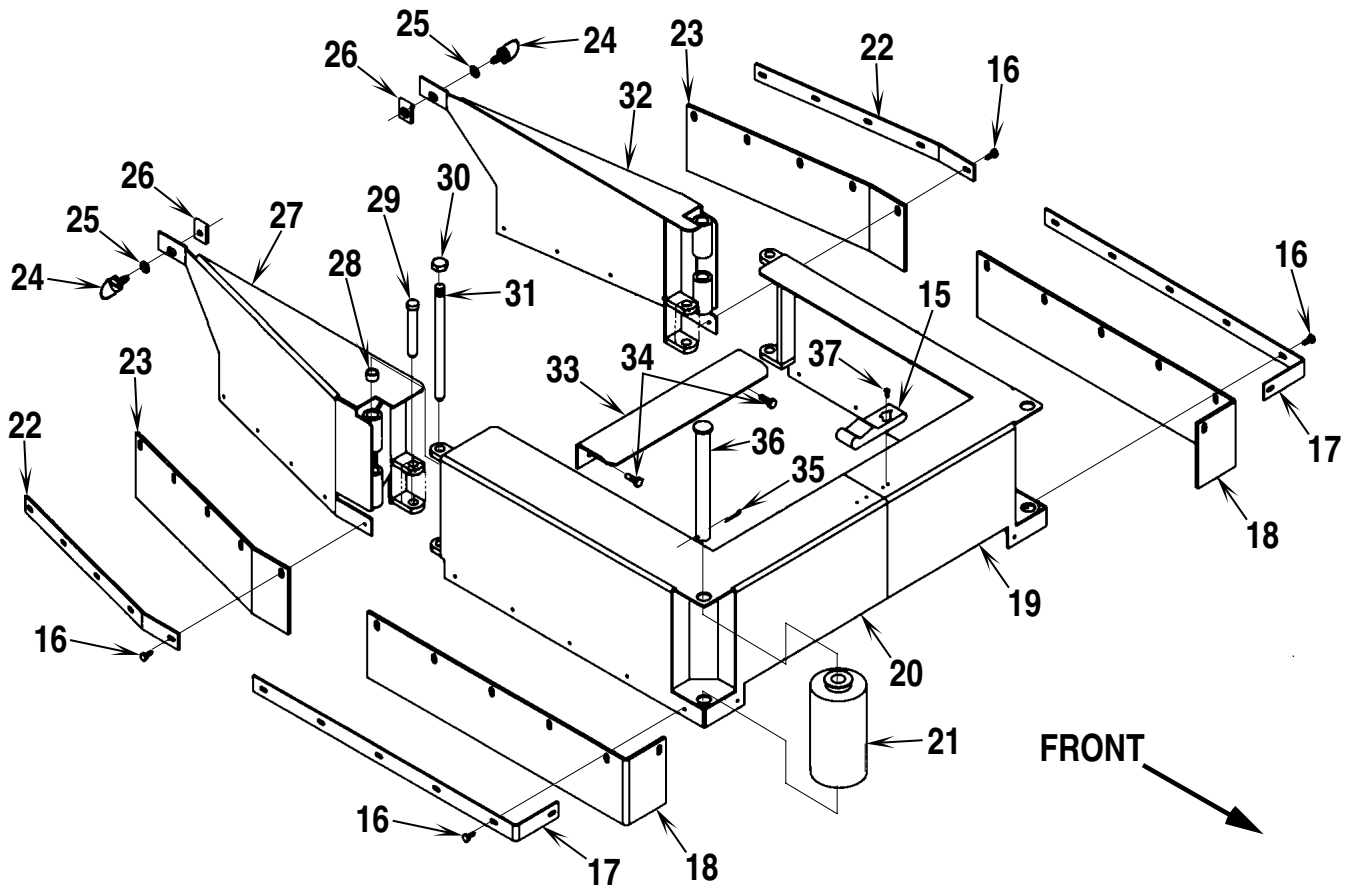
CHASSIS AND BATTERY CASE SYSTEM

Item	Ref. No.	Qty	Description
1	56009033	2	Scr, Hex Thd Form 1/4-20 x .50
2	56372134	1	Electrical Cover
3	56009018	1	Scr, Hex Thd Form 1/4-20 x .75
4	56372172	1	Bracket
5	56002832	4	Nut, Hex Nyl Loc 10-24
6	56002503	2	Scr, Hex Hd 10-24 x .50
7	56393358	1	Slide Latch
8	56002708	2	Nut, Hex Nyl Loc 1/4-20
9	56393362	1	Door
10	56002829	2	Scr, Hex Hd 10-24 x .62
11	56324085	1	Strap
12	56324086	1	Flap
13	56491326	1	Receptacle
14	56200754	38"	Gasket (98 cm)
15	56002784	2	Scr, Flt Phil 1/4-20 x .75
16	56448108	1	Retainer
17	56448104	1	Fastener
18	56372135	1	Door
19	56372209	1	Chassis
20	56365555	1	Caster
	56365742		Replacement Wheel for 56365555
21	56002663	4	Scr, Hex Hd 3/8-16 x 1.00
22	56002769	4	Nut, Hex Nyl Loc 3/8-16
23	56372104	1	Battery Housing
24	56372922	1	Plastic Tray
25	56009012	4	Scr, Hex Thd Form 10-24 x .38
26	56002063	4	Wsh, Flt SAE 3/8
27	56002098	2	Wsh, Flt SAE 1/4

260B



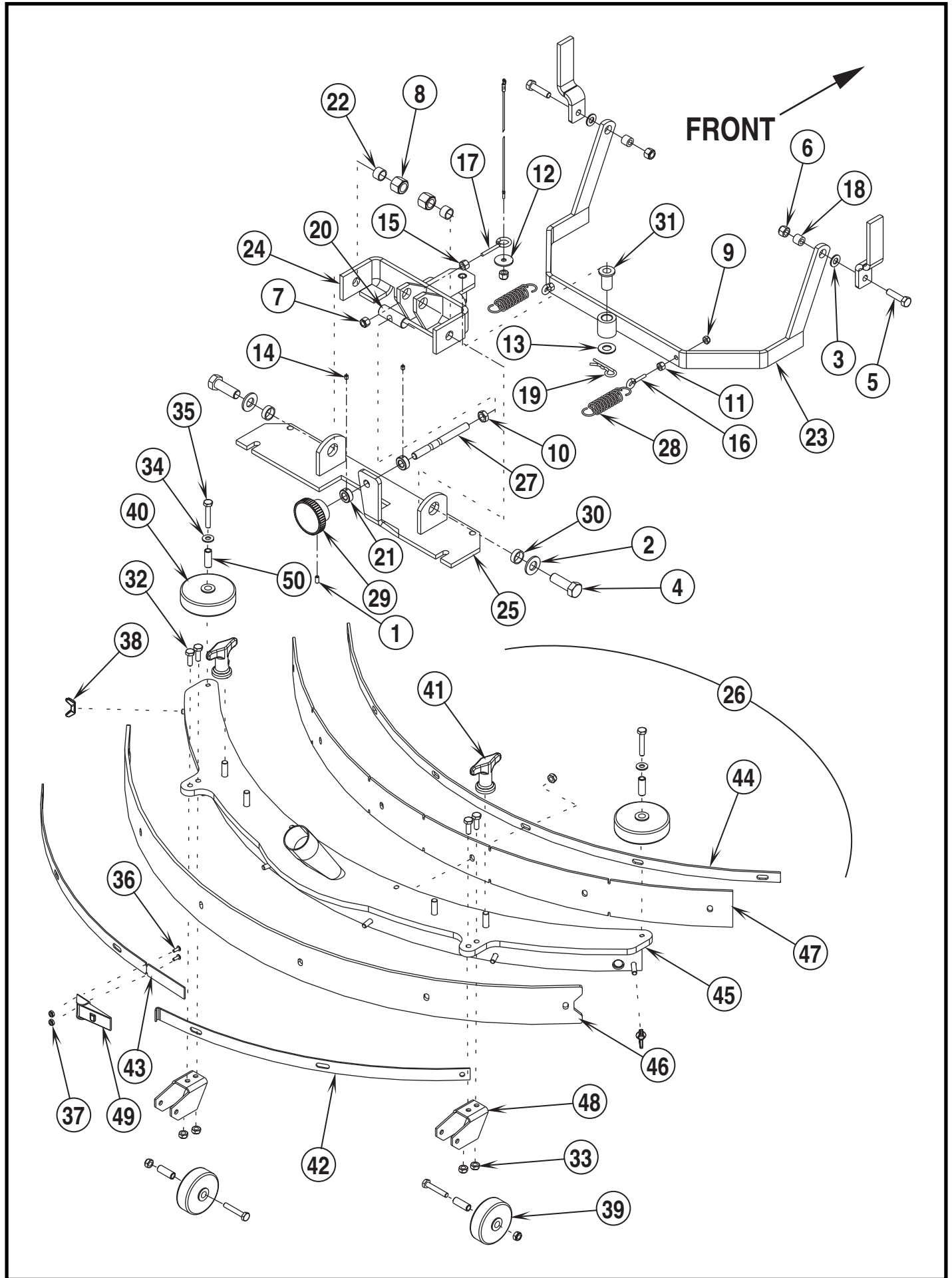
260BHD



SKIRT SYSTEMS

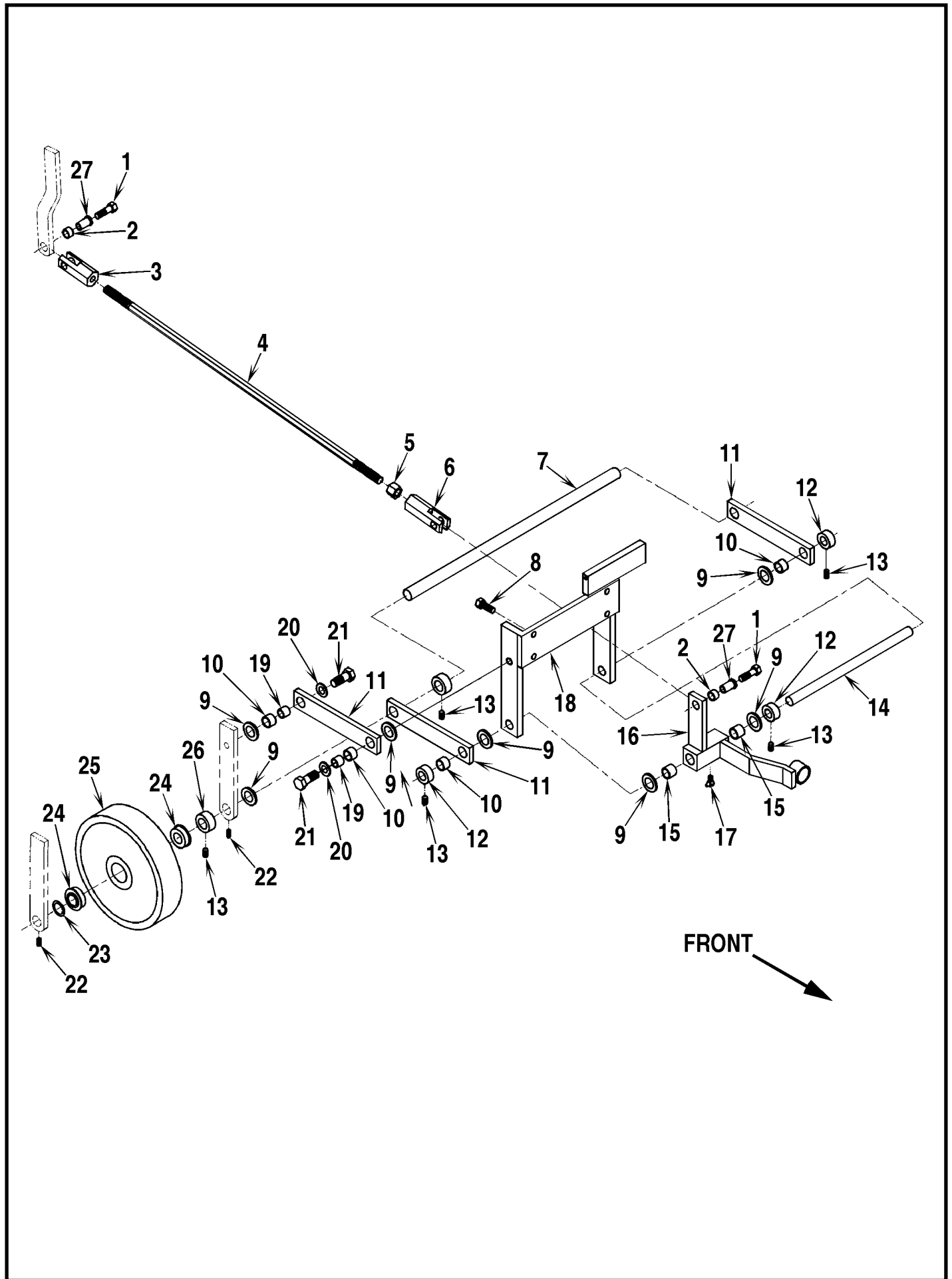
Item	Ref. No.	Qty	Description
Skirt System 260B			
1	56002683	12	Scr, Hex Thd Form 10-24 x .50
2	56372151	1	Left Strap
3	56551127	2	Skirt
4	56372168	1	Left Splash Guard
5	56372169	1	Right Splash Guard
6	56360139	2	Bushing
7	56324350	2	Wheel
8	56009047	2	Washer
9	56372144	1	Right Strap
10	56360147	2	Pin
11	56366633	4	Bearing
12	56002537	2	Scr, Hex Thd Form 1/4-20 x 1.50
13	56462316	1	Latch
14	56002505	4	Scr, Hex Thd Form 6-32 x .38
Skirt System 260BHD			
15	56462316	1	Latch
16	56002683	22	Scr, Hex Thd Form 10-24 x .50
17	56372152	2	Front Strap
18	56372876	2	Front Skirt
19	56372292	1	Left Splash Guard
20	56372288	1	Right Splash Guard
21	56372740	2	Roller Bumper
*	56362352	4	Bearing
22	56372936	1	Right Rear Strap
23	56372920	2	Rear Skirt
24	56448104	2	Screw Fastener
25	56448108	2	Retainer Washer
26	56468960	2	Screw Receptacle
27	56372280	1	Right Rear Splash Guard
28	56372201	8	Bearing
29	56360147	2	Pin
30	56372880	2	Nut, Cap 1/2-13
31	56372878	2	Pin
32	56372284	1	Left Rear Splash Guard
33	56372294	1	Bracket
34	56002514	2	Scr, Hex Thd Form 1/4-20 x .75
35	56002529	2	Cotter Pin
36	56372882	2	Pin
37	56002505	4	Scr, Hex Thd Form 6-32 x .38

* = Not Shown



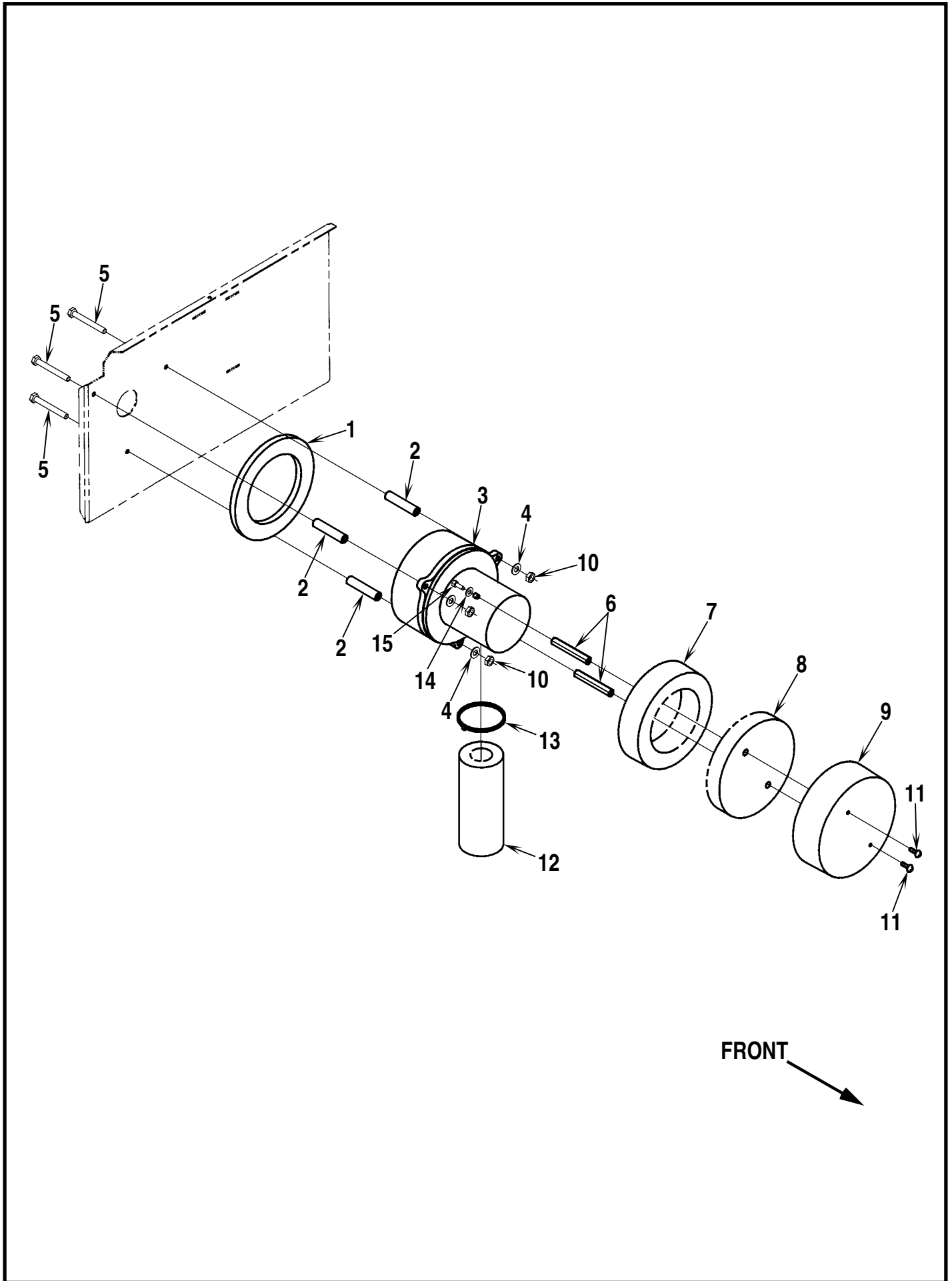
SQUEEGEE SYSTEM

Item	Ref. No.	Qty	Description	Item	Ref. No.	Qty	Description
1	56003123	1	Scr, Soc Set Loc 10-24 x .38		56391281	1	Squeegee Assembly
2	56001879	2	Wsh, Flt SAE 1/2	32	56002807	4	Scr, Hex Hd SS 1/4-20 x .75
3	56001939	2	Wsh, Flt SAE 5/16	33	56002850	12	Nut, Hex Nyl Loc-Thin SS 1/4-20
4	56001968	2	Scr, Hex Hd 1/2-13 x 1.50	34	56002859	2	Wsh, Flt SAE SS 1/4
5	56002187	2	Scr, Hex Thd to Hd 5/16-18 x 1.25	35	56002901	4	Scr, Hex Hd SS 1/4-20 x 1.50
6	56002701	2	Nut, Hex Nyl Loc 5/16-18	36	56002909	2	Scr, Pan Phil SS 6-32 x .38
7	56002708	2	Nut, Hex Nyl Loc 1/4-20	37	56002964	2	Nut, Hex Nyl Loc-Thin SS 6-32
8	56002770	2	Nut, Hex Nyl Loc 1/2-13	38	56009048	2	Nut, Wing Loc 1/4-20
9	56002832	2	Nut, Hex Nyl Loc-Thin 10-24	39	56324350	2	Wheel
10	56003015	1	Nut, Hex Jam SS 3/8-16	40	56324499	2	Wheel
11	56009009	2	Nut, Hex Machine 10-24	41	56370711	2	Nut, Thumb
12	56009060	1	Wsh, Flt SS .26 x 1.00 x .07	42	56391286	1	Strap, Rear-Right
13	56009068	1	Wsh, Flt SAE 7/16	43	56391288	1	Strap, Rear-Left
14	56009084	2	Scr, Soc Set Loc 10-24 x .19	44	56391290	1	Strap, Front
15	56009179	1	Nut, Hex Machine 1/4-20	45	56391292	1	Squeegee Tool
16	56009202	2	Bolt, Eye 10-24 x .62	46	56391333	1	Blade, Rear (standard)
17	56009220	1	Bolt, Eye 1/4-20 x 1.38		56391343	1	Blade, Rear (oil resistant)
18	56244941	2	Bushing	47	56391334	1	Blade, Front (standard)
19	56003222	1	Pin, Cotter Hair		56391355	1	Blade, Front (oil resistant)
20	56324369	1	Pin	48	56409656	2	Bracket, Wheel
21	56331076	2	Collar	49	56471194	1	Latch
22	56360627	2	Bushing	50	56471220	4	Bushing
23	56372269	1	Linkage				
24	56372271	1	Mount		56391340	1	Standard Squeegee Blade Kit
25	56372289	1	Mount		56391342	1	Oil Res. Squeegee Blade Kit
26	56391281	1	Squeegee Assy (#32-50)				
27	56391855	1	Rod, Adjuster				
28	56470672	2	Spring				
29	56475480	1	Knob				
30	56478781	2	Bearing, Sleeve				
31	56492471	1	Bearing, Flange				



WHEEL DRIVE SYSTEM

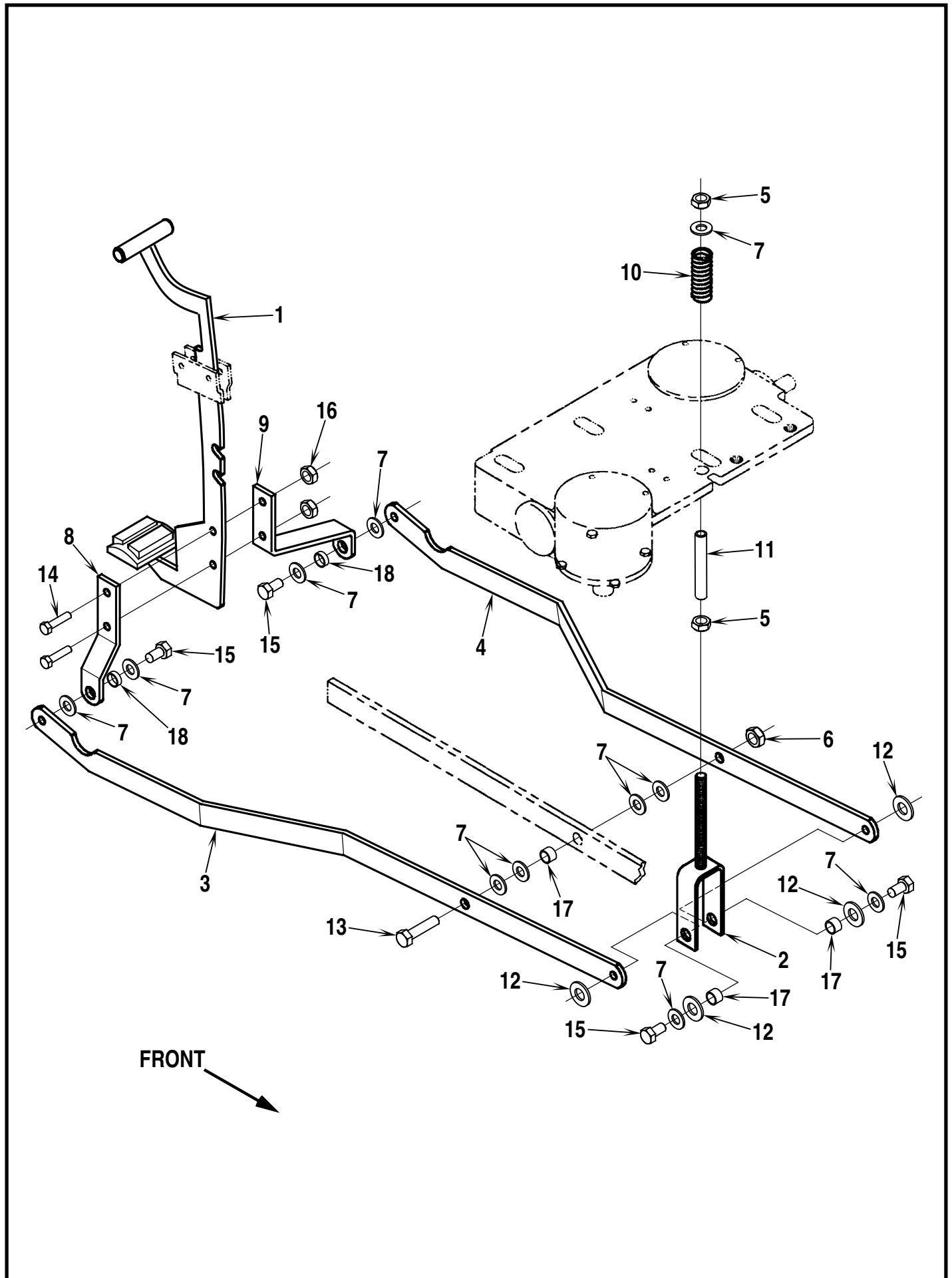
Item	Ref. No.	Qty	Description
1	56003033	2	Scr, Hex Loc 3/8-16 x 1.38
2	56366633	2	Bearing
3	56366617	1	Right Yoke
4	56372005	1	Drive Adjust Rod
5	56002682	1	Nut, Jam 1/2-13
6	56366609	1	Left Yoke
7	56372196	1	Axle
8	56002947	4	Scr, Hex Loc 3/8-16 x 1.00
9	56009022	10	Washer
10	56367168	6	Bearing
11	56372708	4	Drive Unit Arm
12	56367354	3	Collar
13	56002086	7	Scr, Soc Set Loc 5/16-18 x .25
14	56367346	1	Shaft
15	56367389	2	Bearing
16	56366581	1	Lever
17	56101753	1	Grease Fitting
18	56550569	1	Bracket
19	56367206	4	Bushing
20	56009017	8	Washer
21	56003022	4	Scr, Hex Loc 1/2-13 x 1.25
22	56002119	4	Scr, Soc Set Loc 1/4-20 x .25
23	56009021	2	Spring Washer
24	56362352	4	Bearing
25	56377961	2	Wheel
	56377945	A/R	Wheel Assembly (Items 24-25)
26	56367095	4	Collar
27	56366625	2	Bushing, Flange



VACUUM MOTOR SYSTEM

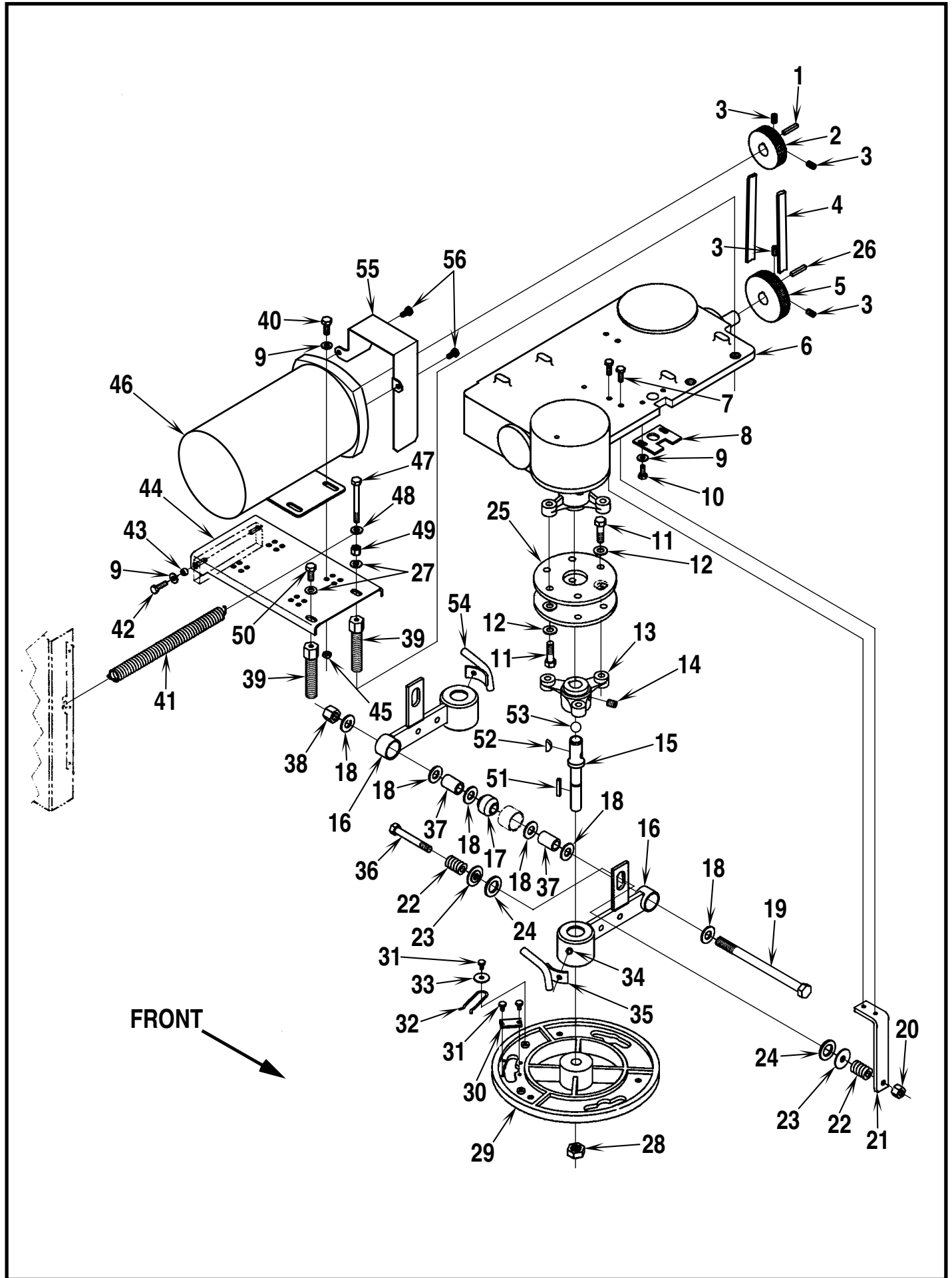
Item	Ref. No.	Qty	Description
1	56385437	1	Gasket
2	56324462	3	Stand Off
3	56324189	1	Vacuum Motor
*	56503003	1	Carbon Brush Set For 56324189
4	56002098	3	Wsh, Flt SAE 1/4
5	56002933	3	Scr, Hex Hd 1/4-20 x 3.25
6	56391795	2	Stand Off
7	56391809	1	Foam
8	56391808	1	Foam
9	56391794	1	Cover
10	56002840	3	Nut, Hex Nyl Loc-Thin 1/4-20
11	56009075	2	Scr, Hex Thd Form 8-32 x .38
12	56391807	1	Foam
13	56477613	1	Cable Tie
14	56009056	2	Wsh, Int Shprf #6
15	56002005	2	Scr, Pan Phil 6-32 x .62

* = Not Shown



BRUSH LIFT SYSTEM

Item	Ref. No.	Qty	Description
1	56372281	1	Pedal Assy
	56372279	1	Pedal
	56365002	1	Rubber Pad
2	56372102	1	Yoke
3	56372154	1	Right Arm
4	56372162	1	Left Arm
5	56009016	2	Nut, Hex Jam 1/2-13
6	56002770	1	Nut, Hex Nyl Loc 1/2-13
7	56009017	11	Wsh, Flt Harden
8	56373606	1	Right Plate
9	56373614	1	Left Plate
10	56372129	1	Spring
11	56372110	1	Bushing
12	56002022	4	Wsh, Flt SAE 5/8
13	56002983	1	Scr, Hex Hd 1/2-13 x 2.00
14	56002095	2	Scr, Hex Hd 3/8-16 x 1.50
15	56003032	4	Scr, Hex Hd Loc 1/2-13 x .75
16	56002769	2	Nut, Hex Nyl Loc 3/8-16
17	56360627	3	Bushing
18	56365030	2	Bushing

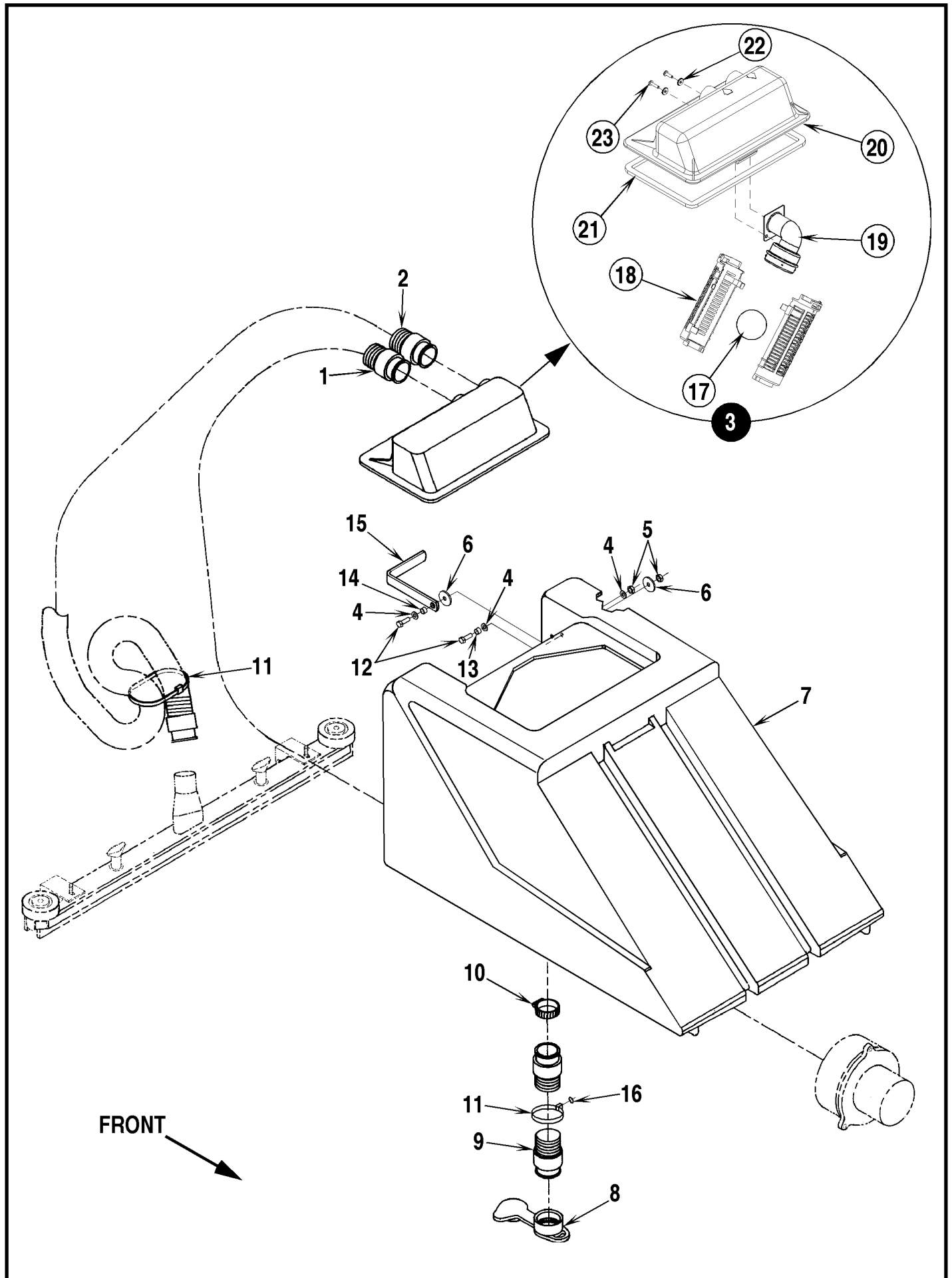


BRUSH DRIVE SYSTEM

Item	Ref. No.	Qty	Description	Item	Ref. No.	Qty	Description
1	56003240	1	Key	35	56369144	1	Solution Pipe
2	56372626	1	Sheave	36	56001892	2	3/8-16 x 2 3/4 Bolt
3	56002021	4	5/16-18 x 1/2 Loc Set Screw	37	56440698	2	Bushing
4	56372242	1	Belt	38	56002770	1	1/2-13 SS Nyl Loc Nut
5	56372891	1	Sheave	39	56378631	2	Screw Stud
6	56550113	1	Gear Box	40	56001821	4	1/4-20 x 7/8 Screw
7	56009018	6	1/4-20 x 3/4 HP-5 Screw	41	56371114	1	Spring
8	56372704	1	Plate	42	56002960	2	1/4-20 x 7/8 Loc Screw
9	56002098	8	1/4 Flt Washer	43	56368989	2	Bushing
10	56002922	2	1/4-20 x 5/8 Loc Screw	44	56372039	1	Mount Plate
11	56003029	12	3/8-16 x 1 1/4 Loc Screw	45	56002708	4	1/4-20 Nyl Loc Nut
12	56002063	12	3/8 SS Flt Washer	46	56393493	1	Brush Motor
13	56378313	2	Universal Casting	*	56393494	1	Carbon Brush Set For 56393493
14	56001958	2	3/8-16 x 1/2 Loc Set Screw	47	56002203	1	5/16-18 x 2 3/4 Bolt
15	56378321	2	Brush Holder Shaft	48	56002220	1	5/16 Flt Washer
16	56372180	2	Arm Assy (includes #34)	49	56002025	1	5/16-18 Jam Nut
*	56550191	2	Arm Weld't.	50	56002956	1	5/16-18 x 3/4 Bolt
*	56114545	2	Bushing	51	56003245	2	Key
*	56378380	4	Bearing	52	56003231	2	Wdf Key
*	56378399	2	Ring, Retaining	53	56366404	2	Ball
*	56378372	2	Bushing	54	56369136	1	Solution Pipe
17	56114545	1	Rubber Bushing	55	56372174	1	Guard, Belt
18	56002168	6	1/2 SS Flt Washer	56	56003039	2	Scr, Hex Loc 1/4-20 x .50
19	56003071	1	1/2-13 x 7 Bolt				<u>Pad Holders and Brushes **</u>
20	56002769	2	3/8-16 Nyl Loc Nut	*	56505760	2	Pad Holder
21	56378437	2	Bracket	*	56505761	2	Magna Grit 46 Brush
22	56171177	4	Spring	*	56505762	2	Dyna Grit 80 Brush
23	56440760	4	Washer	*	56505763	2	AgLite Grit 500 Brush
24	56367184	4	Thrust Bearing	*	56505764	2	Prolene Brush
25	56104647	4	Flex Disc	*	56505765	2	Prolite Brush
26	56003244	1	Key	*	56505766	2	Union Mix Polish Brush
27	56001939	2	Wsh, Flt SAE 5/16	*	56505767	2	MidGrit 240 Brush
28	56378348	2	5/8-18 Loc Nut	*	56505768	2	MidLite 180 Brush
29	56378690	2	Brush Holder				
30	56366455	2	Stop Plate				
31	56009012	6	#10-24 x 3/8 HP-5 Screw				
32	56366463	2	Retainer Spring				
33	56009002	2	Washer				
34	56369128	2	Grease Fitting				

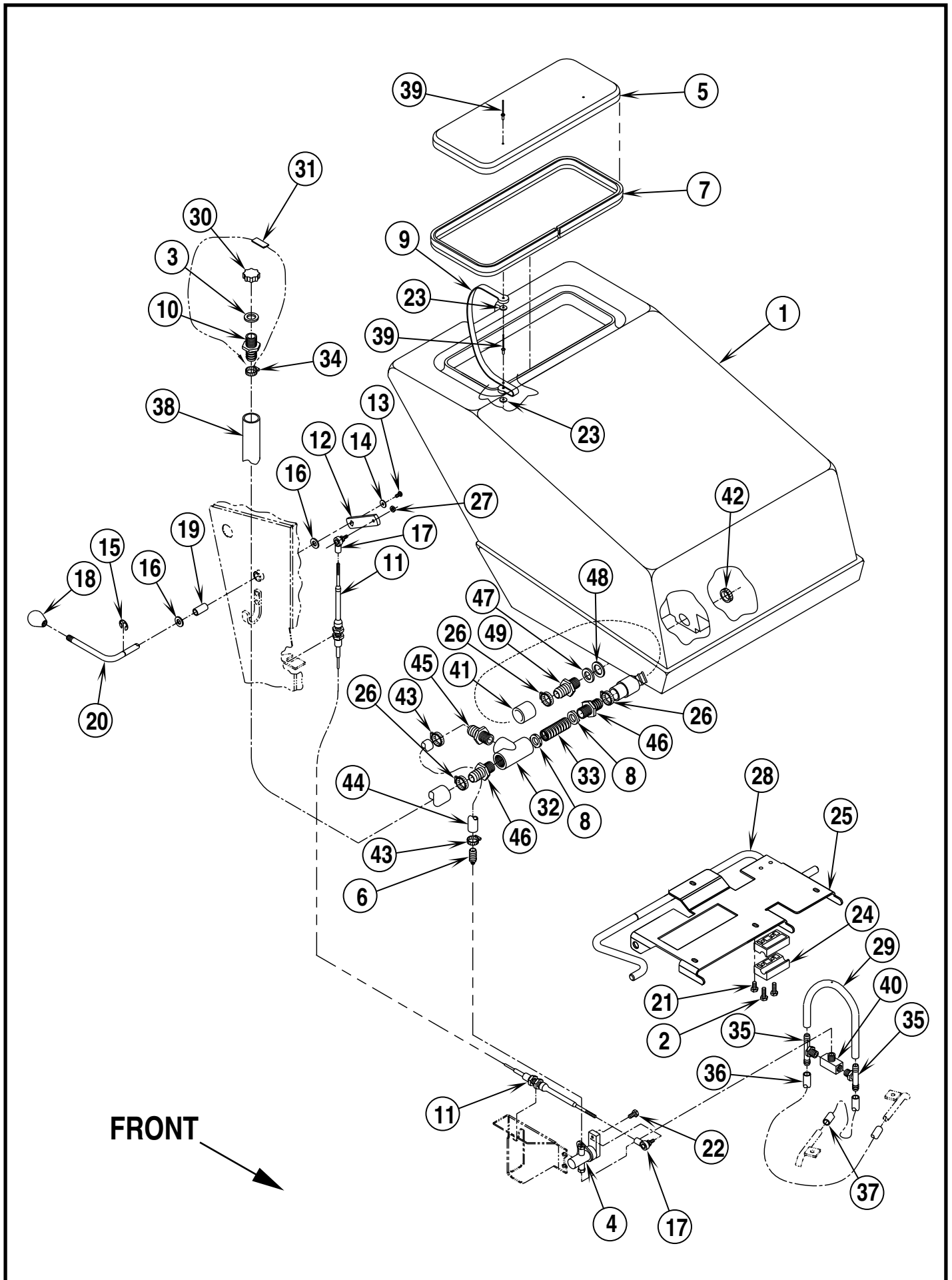
* = Not Shown

** = Not Included



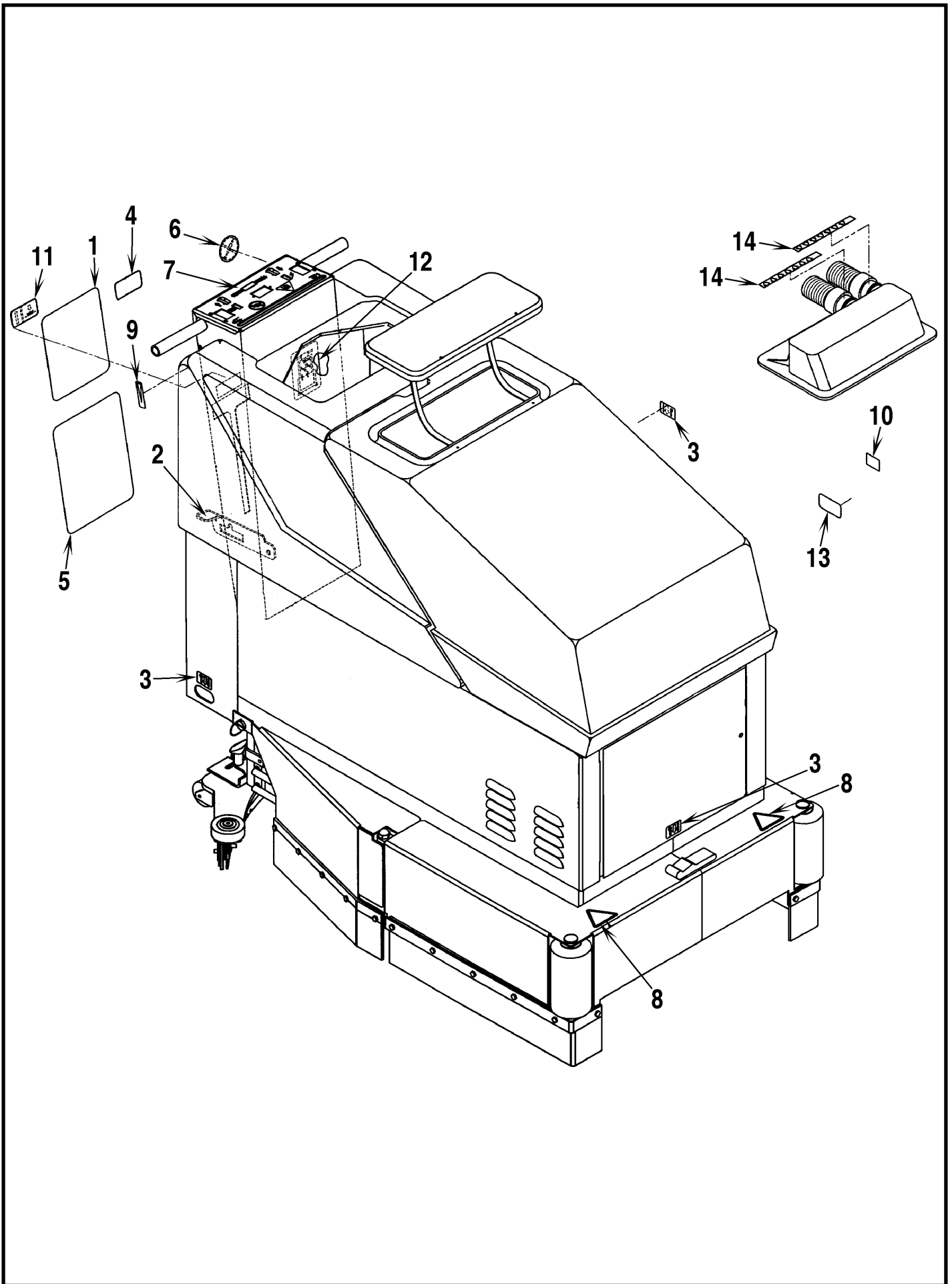
RECOVERY SYSTEM

Item	Ref. No.	Qty	Description
1	56372160	1	Vacuum Hose
2	56324255	1	Squeegee Hose
3	56324396	1	Cover Assembly (#17-23)
4	56002859	6	1/4 SS Flt Washer
5	56002850	4	1/4-20 SS Nyl Loc Nut
6	56009060	4	Wsh, Flt SS .260 x 1.00 x .074
7	56372086	1	Recovery Tank
8	56324180	1	Drain Plug
9	56372216	1	Drain Hose
10	56329145	1	Hose Clamp
11	56477613	2	Cable Tie
12	56002883	4	1/4-20 x 1.00 SS Screw
13	56453849	2	Bushing
14	56368997	2	Bushing
15	56393157	2	Handle Grip
16	56478246	1	Wire Tie
17	56391690	1	Ball
18	56324497	2	Cage, Float
19	56324298	1	Elbow, Float
20	56324395	1	Cover, Tank
21	56262576	1	Gasket
22	56209261	2	Washer, Sealing 9/16
23	56003633	2	Scr, Pan Phil SS Type B 10-16 x .50



SOLUTION SYSTEM

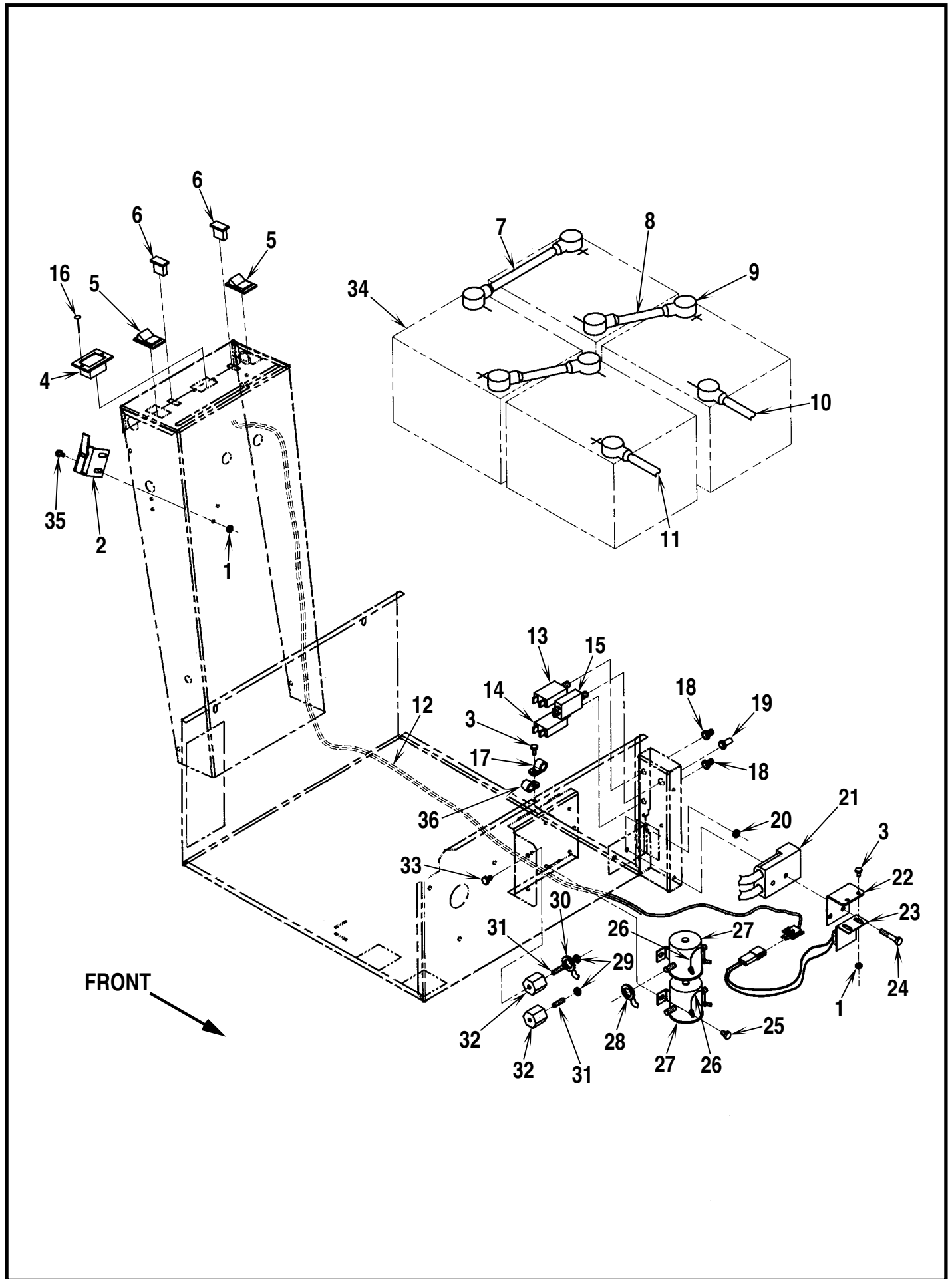
Item	Ref. No.	Qty	Description
1	56372081	1	Solution Tank
2	56002907	1	Scr, Hex Hd SS 1/4-20 x 1.50
3	56368776	1	Washer, Rubber
4	56324512	1	Valve, 2-Way
5	56407277	1	Cover
6	56373456	1	Fitting, 1/4 NPTM x 1/2 Barb
7	56261390	1	Gasket
8	56324313	2	Washer, Rubber
9	56263379	2	Strap
10	56900273	1	Barb
11	56372091	1	Cable, Control
12	56372090	1	Bar, Linkage
13	56002926	1	Scr, Hex Hd Loc 10-24 x .38
14	56001954	1	Wsh, Flt SAE #10
15	56003262	1	Ring, Ret Ext Type E
16	56002063	2	Wsh, Flt SAE 3/8
17	56488290	2	Rod End #10
18	56378534	1	Knob
19	56200972	1	Bearing
20	56324216	1	Rod, Valve Control
21	56003039	4	Scr, Hex Hd Loc 1/4-20 x .50
22	56002922	2	Scr, Hex Hd Loc 1/4-20 x .62
23	56009098	4	Wsh, Flt SS .125 x .500 x .036
24	56393878	2	Block
25	56393880	1	Plate, Tip-Up
26	56112771	3	Clamp, Hose
27	56002873	1	Nut, Hex Nyl Loc 10-32
28	56393879	1	Bar, Tank Support
29	56397301	1	Hose, PVC 3/8
30	56255076	1	Cap
31	56324602	1	Strap
32	56324029	1	Tee, ABS 3/4 NPT
33	56324030	1	Filter
34	56477613	1	Cable Tie
35	56393224	2	Tee, Barb
36	56391802	1	Hose, Spiral 3/8
37	56052887	1	Hose, Spiral 3/8
38	56372345	1	Hose, Spiral 3/4
39	56003293	4	Rivot, Pop A/S .125 x .38/.50
40	56372506	1	Tee, Branch 1/4
41	56372175	1	Hose
42	56393187	1	Nut, Hex 3/4-16 UNF
43	56219932	2	Clamp, Hose
44	56262560	1	Hose, PVC .50 x 2.00
45	56262190	1	Barb, 3/4 NPTM x 1/2
46	56900292	2	Barb, 3/4 NPTM x 3/4
47	56249625	1	Restrainer
48	56154717	1	Wsh, Rubber
49	56393182	1	Barb



DECAL SYSTEM

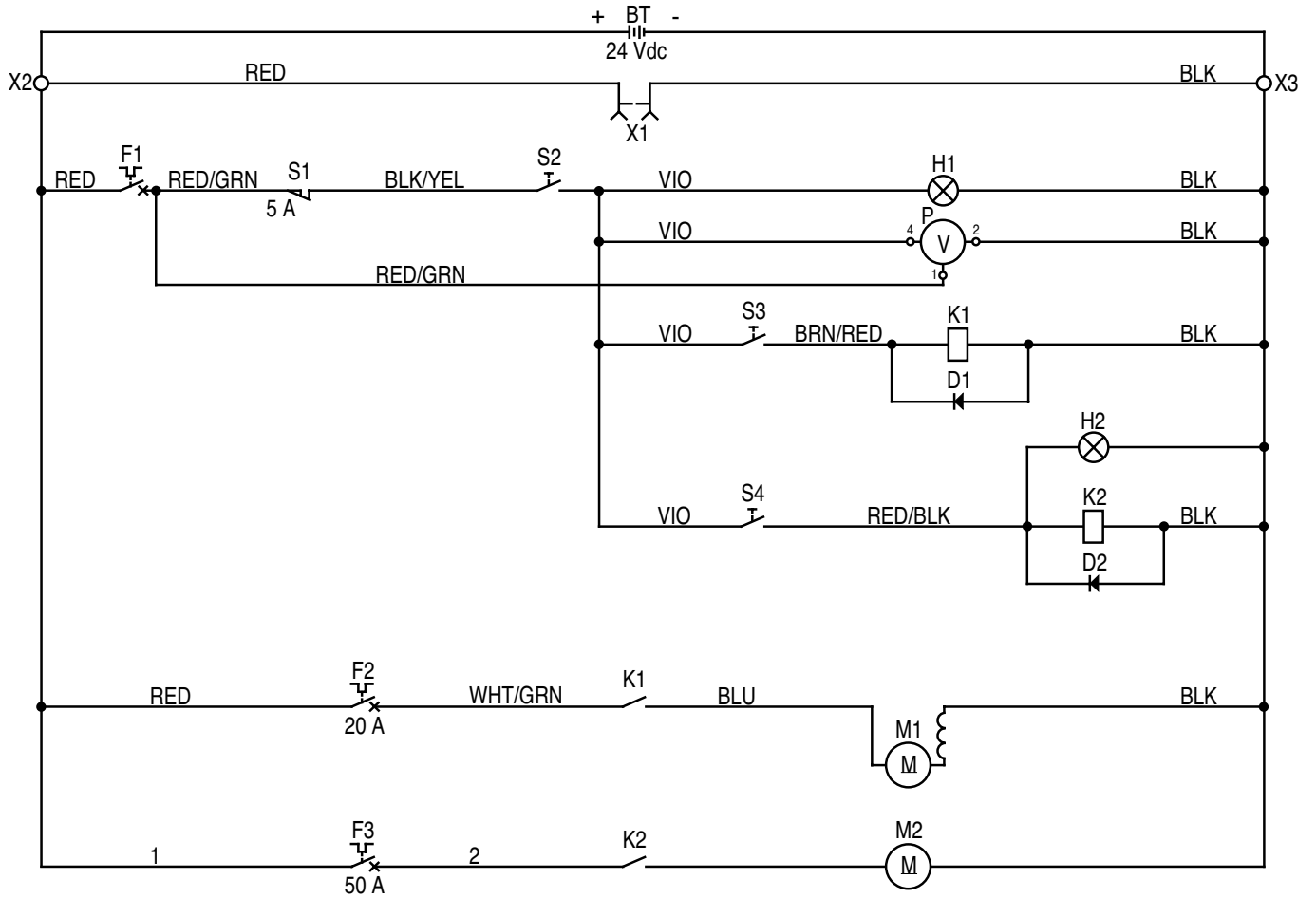
Item	Ref. No.	Qty	Description
1	56014601	1	Decal, Caution
2	56014544	1	Decal, Latch
3	56015370	3	Decal, Tie Down
4	56016010	1	Decal, Wear Items
5	56015459	1	Decal, Wiring Diagram
6	56015470	1	Decal, No Pressure Wash
7	56015485	1	Decal, Control Panel
8	56015506	2	Decal, Warning Brush
9	56016334	1	Decal, Solution Valve
10	56054192	1	Decal, Charger
11	56054195	1	Decal, Brush
12	56015489	1	Decal, Battery
13	56015488	1	Decal, Circuit Breaker
14	56015655	2	Decal, Direction

* = Not Shown



ELECTRICAL SYSTEM

Item	Ref. No.	Qty	Description
1	56002832	4	#10-24 Nyl Loc Nut
2	56372088	1	Waterproof Switch
3	56009039	3	#10-24 x 3/8 Screw
4	56372089	1	Battery Fuel Gauge
5	56393312	2	Rocker Switch
6	56389434	2	Green Lamp
7	56363936	1	Battery Cable TSB 730
8	56363928	2	Battery Cable TSB 730
9	56372673	8	Battery Cable Boot
10	56372526	1	Battery Cable TSB 730
11	56372524	1	Battery Cable TSB 730
12	56372079	1	Wiring Harness
13	56395454	1	Circuit Breaker 20A
14	56387328	1	Circuit Breaker 5A
15	56386725	1	Circuit Breaker 50A
16	56009192	2	Rivot
17	56442011	2	P-Clamp
18	56459367	2	Reset Button Boot
19	56459369	1	Reset Button Boot
20	56002840	2	1/4-20 Nyl Loc Nut
21	56372087	1	Connector
22	56393582	1	Switch Bracket
23	56462362	1	Switch
24	56001833	2	1/4-20 x 1 1/2 Screw
25	56009019	4	1/4-20 x 3/8 HP-5 Screw
26	56389265	2	Diode
27	56468358	2	Solenoid Contactor
28	56388026	1	Cable
29	56002561	2	1/4-20 Jam Nut
30	56388412	1	Cable
31	56009020	2	1/4-20 x 7/8 Stud
32	56469858	2	Insulated Standoff
33	56002933	2	1/4-20 x 3/8 Loc Screw
34	N/A	4	Battery 6V
35	56002900	2	Scr, Pan Phil SS 10-24 x .50
36	56342319	2	P-Clamp



WIRING DIAGRAM

Item	Ref. No.	Qty	Description
BT	N/A		Battery, 24Vdc
D1	56389265	1	Diode
D2	56389265	1	Diode
F1	56387328	1	Circuit Breaker, 5 Amp
F2	56395454	1	Circuit Breaker, 20 Amp
F3	56386725	1	Circuit Breaker, 50 Amp
H1	56389434	1	Lamp, Green Main Power
H2	56389434	1	Lamp, Green Brush
K1	56468358	1	Solenoid Contactor, Vacuum Motor
K2	56468358	1	Solenoid Contactor, Brush Motor
M1	56324189	1	Motor, Vacuum
	56503003	1	Carbon Brush Set For 56324189
M2	56393493	1	Motor, Brush
	56393494	1	Carbon Brush Set For 56393493
P	56372089	1	Meter, Battery
S1	56462362	1	Switch, Charger Interlock
S2	56393312	1	Switch, Main Power
S3	56372088	1	Switch, Vacuum Motor
S4	56393312	1	Switch, Brush Motor
X1	56372087	1	Connector, Charger
X2	56009020	1	Terminal Stud
X3	56009020	1	Terminal Stud



Nilfisk-Advance, Inc.
14600 21st Avenue North
Plymouth, MN, 55447-3408
www.nilfisk-advance.com
Phone: 800-989-2235
Fax: 800-989-6566
©2002 Nilfisk-Advance, Inc.,
Plymouth, MN 55447-3408
Printed in the U.S.A.