



Electronic Service Manuals

This electronic document is provided as a service to our customers. We do not create the contents of the information contained in this document. Should you have detailed questions pertaining to the information contained in this document, you may contact Michco, or the manufacturer which provided the original information in this electronic deliverable. Michco's only part in this electronic deliverable was the electronic assembly process.

You may contact Michco through the following methods:
Phone (517) 484-9312 or (800) 331-3339 MI, OH, IN only
2011 N. High St. -- Lansing, Michigan -- 48906
Fax: (517) 484-9836
Email: CustServ@Michco.com
Web site: www.Michco.Com
Parts Web site: www.FloorMachineParts.Com

Order Parts on Line at:
www.FloorMachineParts.Com

Directly to Parts & Service:
By Email: **Shop@Michco.com**
By Fax: (517) 702-2041
By Voice: Use numbers above.

Serving the Cleaning Industry Since 1922

Notice: All copyrighted material remains property of original owners, all trademarks are property of respective owners. Manuals are subject to Manufacturer's reproduction limitations. Originals or reproductions were provided by manufacturers through a request. We make no warranty as to the correctness of information provided in this document and you assume all risk.

CONVERTAMATIC 24B, TRAC 240

MODELS 393000, 393010, 393011

THIS PARTS LIST IS FOR MACHINES
AFTER SERIAL NUMBER 361760

PARTS LIST



ADVANCE®

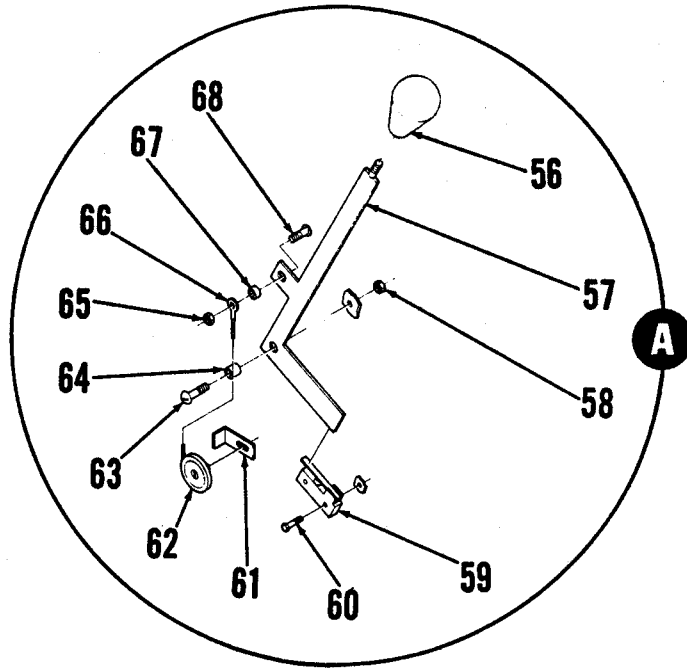
INTERNATIONAL HEADQUARTERS, Plymouth, MN 55447-3408
EUROPE, Llantysant, Pontyclun, Mid-Glamorgan CF7 8YZ Wales, United Kingdom
CANADA, 1295 Crestlawn Drive, Mississauga, Ontario L4W 1A9

FORM NUMBER 042212 1/90

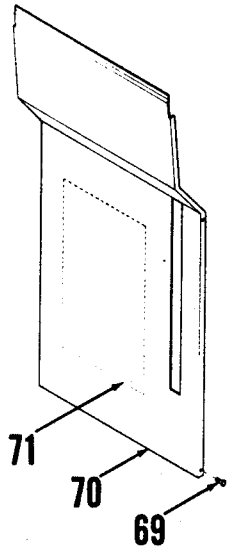
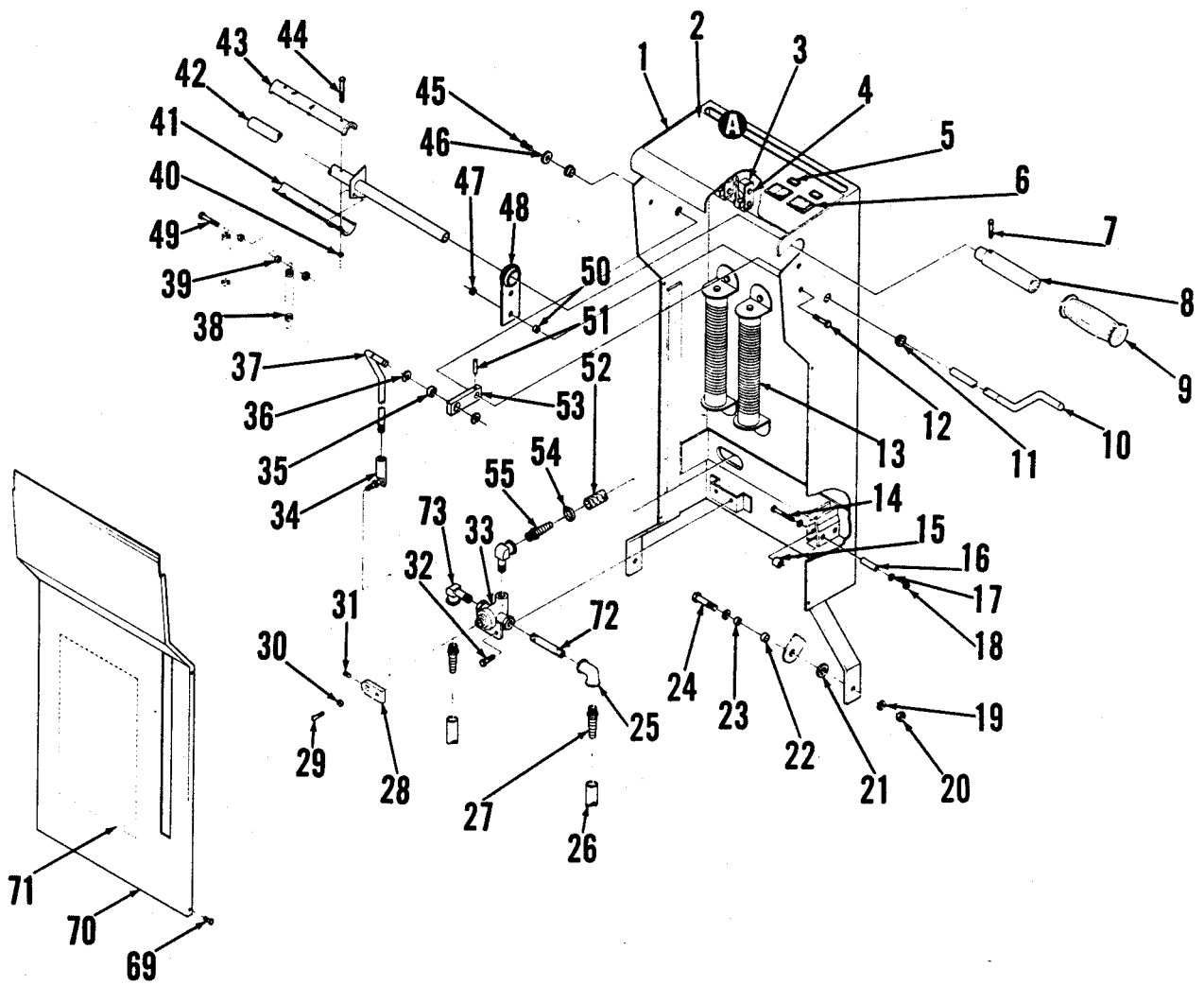


INDEX FOR FORM NUMBER 042212

<u>Description</u>	<u>Location</u>	<u>Page</u>
Battery Housing & Chassis	C3	5
Brush Drive	D1	17
Chassis, Rear View	C5	7
Control Handle, 24B	C1	3
Control Handle, Trac 240	B13	1
Squeegee	C13	15
Tanks	C11	13
Wheel Drive, Trac 240	C7	9
Wheels, Rear - 24B	C9	11
Wiring Diagram, 24B	D4	20
Wiring Diagram, Trac 240	D3	19



FRONT

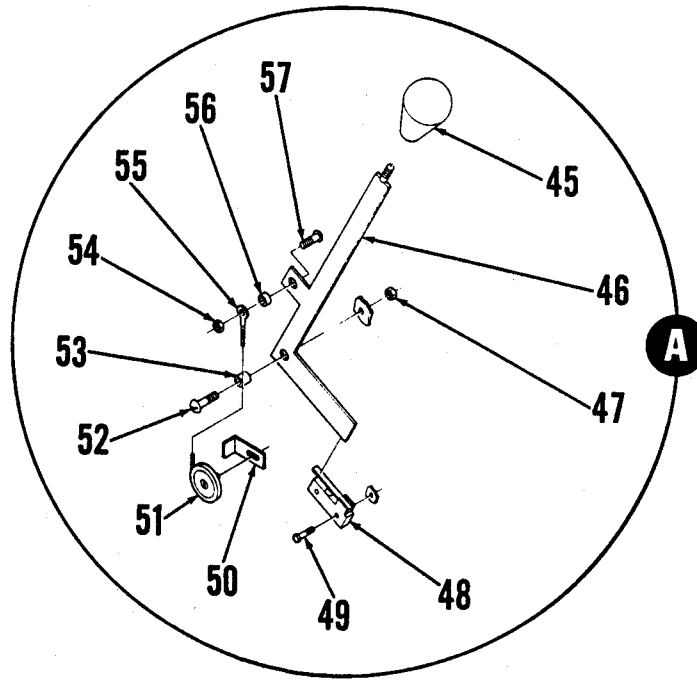


TRAC 240 HANDLE ASSEMBLY

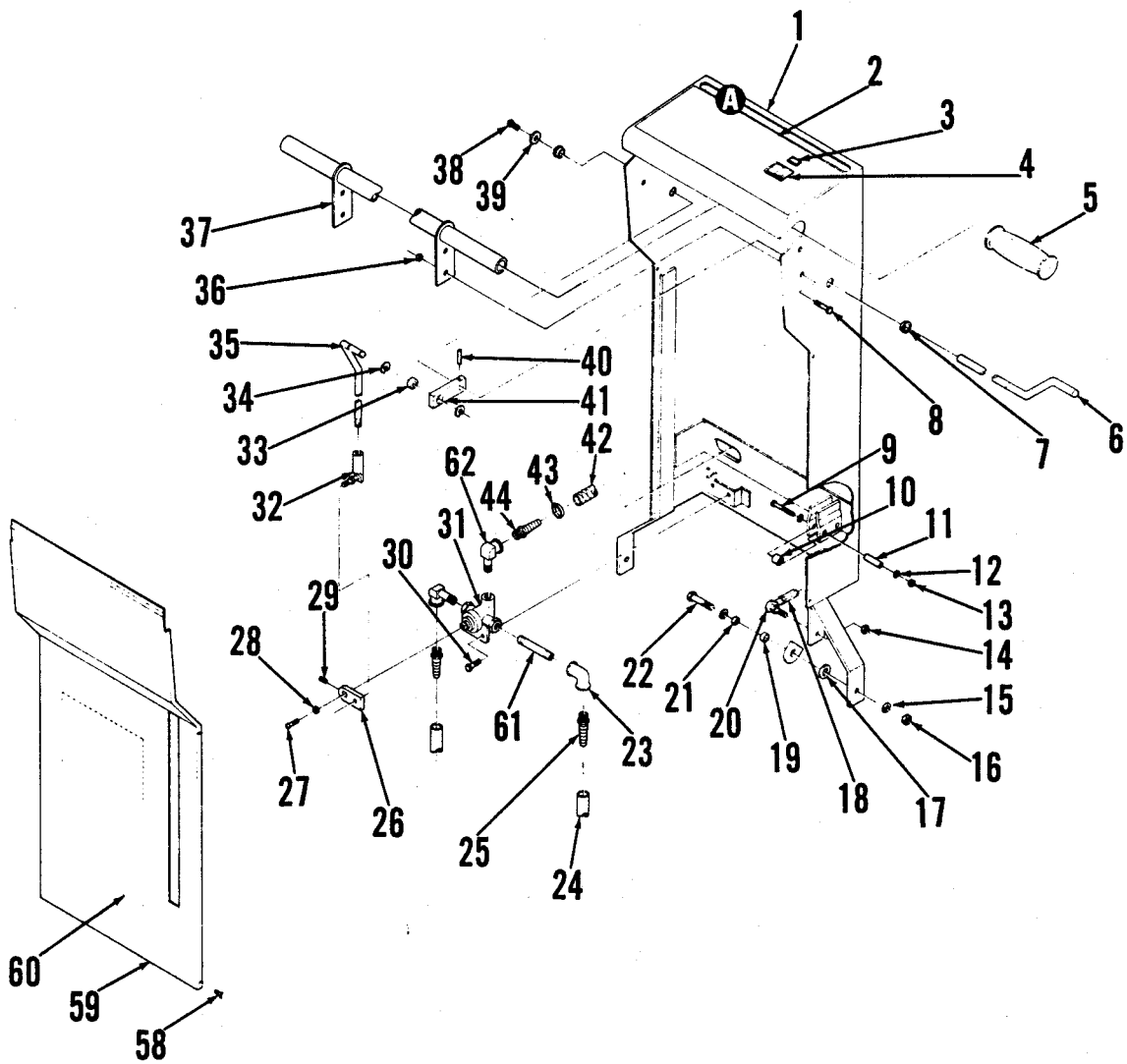
Item	Part No.	Qty	Description	Item	Part No.	Qty	Description
	393175	1	Handle Assly (Trac 240 BD)	40		2	#10-32 Nut
	393060	1	Handle Assly (Trac 240 BD-J)	41	391506	1	Lower Cam
1	393200	1	Handle (Trac 240 BD)	42	393212	1	Tube TSB 572 - G9
	393061	1	Handle (Trac 240 BD-J)	43	391505	1	Upper Cam
2	014938	1	Decal, Control	44		2	#10-32 x 1-1/2 Screw
3	385615	4	Snap Switch	45		5	#10-24 x 3/8 Screw
4	391489	4	Switch Bracket	46		1	#10 Washer
5	389434	2	Indicator Light	47		4	1/4-20 Nut
6	376348	2	Rocker Switch	48	261097	2	Bearing TSB 572 - G9
7		2	#10-32 x 1-1/4 Screw	49		1	#8-32 x 1-1/4 Screw
8	393210	2	Collar			1	#8-32 Nut
9	388545	2	Grip	50	379298	5	Bushing
10	373459	1	Lever	51		1	1/8 x 3/4 Pin
11	329098	2	Nylon Bushing	52	263384	1	Solution Hose
12		4	1/4-20 x 1 Screw	53	373457	1	Lifter Arm
13	467470	2	Resistor	54	219932	2	Hose Clamp
14		2	#10-32 x 2 Screw	55	373456	1	Barb
15	365088	2	Bushing	56	364527	1	Knob
16	393059	2	Spacer	57	372638	1	Lever
17		4	#10 Washer	58		1	1/4-20 Nut
18		2	#10-32 Nut	59	388019	1	Snap Switch
19	367214	13	Washer	60		2	#6-32 x 7/8 Screw
20		2	1/2-13 Nut	61	390778	1	Guide
21	367192	8	Washer	62	159749	1	Pulley
22	367168	8	Bearing	63		1	1/4-20 x 1-1/4 Screw
23	367206	8	Bushing	64	453849	1	Bushing
24		2	1/2-13 x 1-1/4 Screw	65		1	1/4-20 Nut
25	340782	1	Elbow	66	393199	1	Squeegee Cable **
26	375408	2	Solution Hose	67	379298	5	Bushing
27	155640	2	Barb	68		1	1/4-20 x 1-1/4 Screw
28	373455	1	Arm	69		4	#6-32 x 1/2 Screw
29		1	#6-32 x 3/4 Screw	70	393204	1	Rear Panel (Trac 240 BD)
30		1	#6 Washer		393082	1	Rear Panel (Trac 240 BD-J)
31		1	#10-24 x 1/4 Set Screw	71	014720	1	Decal, Wiring Diagram
32		2	#10-24 x 1 Screw	72	369624	1	Nipple
33	368881	1	Valve	73	369632	2	Elbow
34	373462	1	Ball Joint	*	393206	1	Handle Wiring Harness
35	373795	1	Bearing				
36	373797	2	Retainer Ring				
37	393205	1	Solution Rod				
38	358560	2	Spring				
39	151092	2	Bushing				

* = Not Shown

****Note:** If original squeegee cable was 30-3/4 inches long (part number 393081), remove the extension strap between the cable and the squeegee mount before installing the new 32-1/2 inch cable (part number 393199)



FRONT



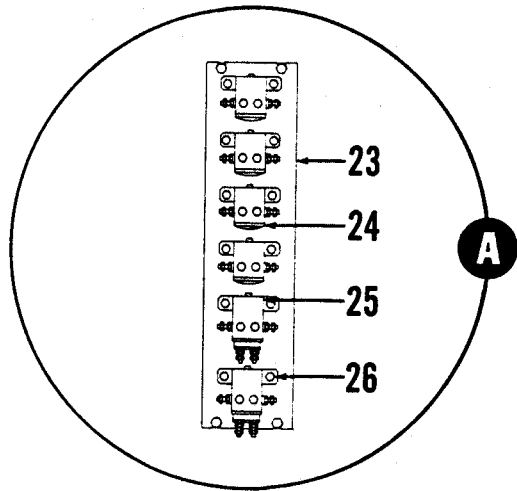
24B HANDLE ASSEMBLY

Item	Part No.	Qty	Description	Item	Part No.	Qty	Description
1	393154	1	Handle	46	372638	1	Lever
2	014809	1	Decal, Control	47		1	1/4-20 Nut
3	389434	1	Indicator Light	48	388019	1	Snap Switch
4	376348	1	Rocker Switch	49		2	#6-32 x 7/8 Screw
5	388545	2	Grip	50	390778	1	Guide
6	373459	1	Lever	51	159749	1	Pulley
7	329098	2	Nylon Bushing	52		1	1/4-20 x 1-1/4 Screw
8		4	1/4-20 x 1 Screw	53	453849	1	Bushing
9		2	#10-32 x 2 Screw	54		1	1/4-20 Nut
10	365088	2	Bushing	55	393199	1	Squeegee Cable **
11	393059	2	Spacer	56	379298	1	Bushing
12		4	#10 Washer	57		1	1/4-20 x 1-1/4 Screw
13		2	#10-32 Nut	58		4	#6-32 x 1/2 Screw
14		1	5/16-24 Nut	59	393082	1	Rear Panel
15	367214	19	Washer	60	014764	1	Decal, Wiring Diagram
16		2	1/2-13 Nut	61	369624	1	Nipple
17	367192	12	Washer	62	369632	2	Elbow
18	393030	1	Push Rod	*	393151	1	Handle Wiring Harness
19	367168	10	Bearing				
20	477756	1	Ball Joint				* = Not Shown
21	367206	10	Bushing				
22		2	1/2-13 x 1-1/4 Screw				
23	340782	1	Elbow				
24	375408	1	Right Solution Hose				
	375410	1	Left Solution Hose				
25	155640	2	Barb				
26	373455	1	Arm				
27		1	#6-32 x 3/4 Screw				
28		1	#6 Washer				
29		1	#10-24 x 1/4 Set Screw				
30		2	#10-24 x 1 Screw				
31	368881	1	Valve				
32	373462	1	Ball Joint				
33	373795	1	Bearing				
34	373797	2	Retaining Ring				
35	393068	1	Solution Rod				
36		4	1/4-20 Nut				
37	393145	1	Handle				
38		5	#10-24 x 3/8 Screw				
39		1	#10 Washer				
40		1	1/8 x 3/4 Pin				
41	373457	1	Lifter Arm				
42	386388	1	Solution Hose				
43	219932	2	Hose Clamp				
44	373456	1	Barb				
45	364527	1	Knob				

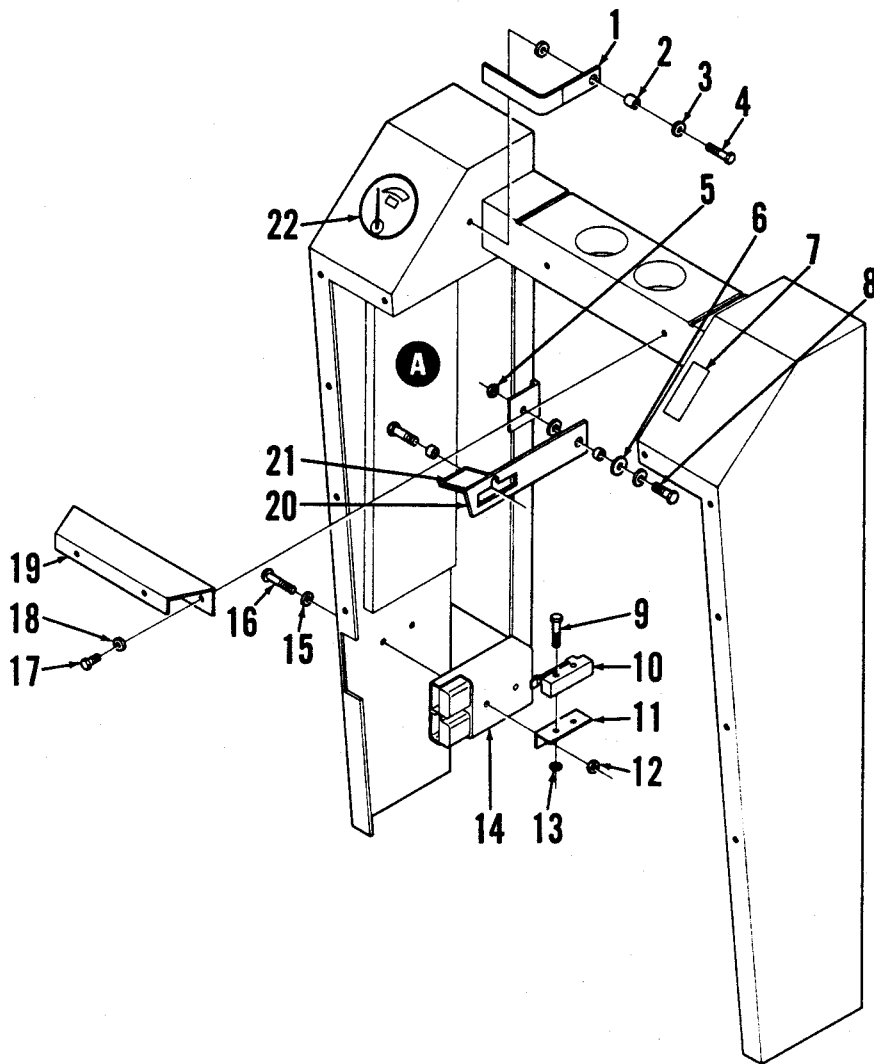
****Note:** If original squeegee cable was 30-3/4 inches long (part number 393081), remove the extension strap between the cable and the squeegee mount before installing the new 32-1/2 inch cable (part number 393199)

BATTERY CASE AND CHASSIS

Item	Part No.	Qty	Description	Item	Part No.	Qty	Description
	393077	1	Battery Case Assembly	41	372673	8	Battery Cable Boot
1	385055	2	Gasket	42	393135	1	Squeegee Hose
2	386064	1	Bracket Assembly	43		2	#10-24 x 3/4 Screw
3	404800	2	Spring	44		2	#10 Washer
4		2	#10-24 x 1 Screw	45	151092	2	Bushing
5	386054	1	Plate	46		2	#10-24 Nut
6	386053	1	Plate	47	014833	1	Decal, Cable Routing
7	393088	1	Electrical Panel	48	382818	2	Strain Relief
8	014817	1	Decal, Japanese	49	454429	1	Circuit Breaker 70A
9		5	#10-24 x 1/2 Screw	50	469788	1	Circuit Breaker 25A
10	393070	1	Battery Housing	51	395454	1	Circuit Breaker 20A Trac 240
11	371939	1	Left Splash Guard	52	387316	1	Circuit Breaker 10A
	372641	1	Splash Guard Assembly	53	469858	3	Insulated Stand-Off
12	365548	2	Lock Assembly TSB 600 -G5	54	454376	3	Stud
		2	1/2-20 Nut	55		2	#10-24 x 3/4 Screw
13		2	1/4-20 x 1-1/2 Screw	56	391776	1	Clip
14		2	1/4 Lock Washer	57	369004	2	Bushing
15	360139	2	Bushing	58	393161	1	Front Door
16	363855	2	Wheel	59	014046	1	Decal, Advance
17	385130	3	Stand-Off	60	393163	1	Hinge Pin
18		6	1/4 Washer	61	321125	2	Retaining Ring
19		3	1/4-20 Nut	62		2	#10-24 Nut
20	372505	1	Vac Motor 24V	63		2	#10 Flat Washer
	503003	1	Carbon Brush Set	*	393104	1	Wiring Harness Trac 240
	228051	2	Bearing	*	393149	1	Wiring Harness 24B
21	391807	1	Foam	*	393100	1	Battery Tray
22	385437	1	Gasket				
23	329145	3	Hose Clamp				Optional Accessories:
24	375404	1	Vacuum Hose	*	372947	1	Automatic Battery Charger
25	014763	2	Decal, 24B	*	372945	1	Semi-Automatic Charger
26	014713	2	Decal, Trac 240				
27	371947	1	Right Splash Guard	* = Not Shown			
	372668	1	Splash Guard Assembly				
28	377872	2	Skirt				
29	372447	1	Right Strap				
	371882	1	Left Strap				
30	381351	12	#10-24 Screw				
31	360147	2	Brass Pin				
32		8	3/8-16 x 3/4 Screw				
33		8	3/8 Washer				
34	365629	2	Swivel Caster				
35	014434	2	Decal, Convertamatic				
36	393040	1	Chassis				
37	363928	3	Cable Assembly				
38	372524	1	Cable Assembly				
39	372526	1	Cable Assembly				
40	376014	4	Battery 6V 244 AH (not included)				



FRONT



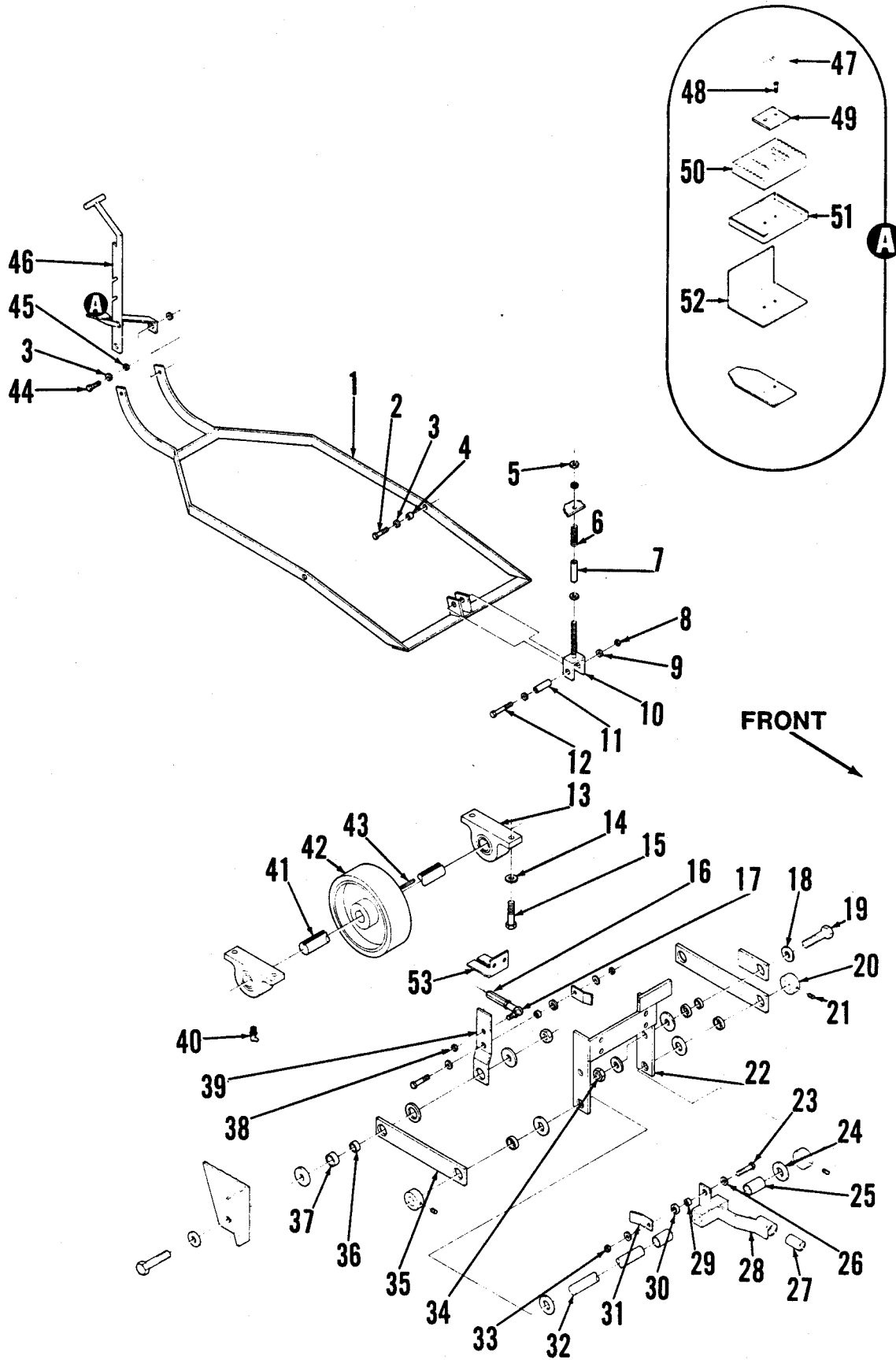
BATTERY CASE AND CHASSIS continued

Item	Part No.	Qty	Description
1	393157	1	Handle Grip 24B
2	368997	3	Bushing 24B
3	150142	1	Washer
4		5	1/4-20 x 5/8 Screw 24B
5		5	1/4-20 Nut 24B
6	151068	1	Fiber Washer 24B
7	016334	1	Decal, Solution Valve
8		2	#6-32 x 1-1/2 Screw 24B
9		2	#6-32 x 7/8 Screw
10	388019	1	Switch
11	389270	1	Switch Bracket
12		2	1/4-20 Nut
13		2	#6-32 Nut
14		1	Charger Plug
15		2	1/4 Washer
16		2	1/4-20 x 1-1/2 Screw
17		2	#10-32 x 3/4 Screw Trac 240
18		2	#10 Washer Trac 240
19	393063	1	Channel
20	393156	1	Latch
21	014544	1	Decal, Latch
22	389528	1	Battery Meter
23	393107	1	Solenoid Panel
	393109	1	Solenoid Panel Assembly Trac 240
	393109	1	Solenoid Panel Assembly 24B
24	468358	4	Solenoid (2 on 24B)
25		12	1/4-20 x 1/2 Screw (4 on 24B)
26	263261	2	Solenoid Trac 240
*	393153	1	Solenoid Wiring Harness 24B
*	393108	1	Solenoid Wiring Harness Trac 240

* = Not Shown

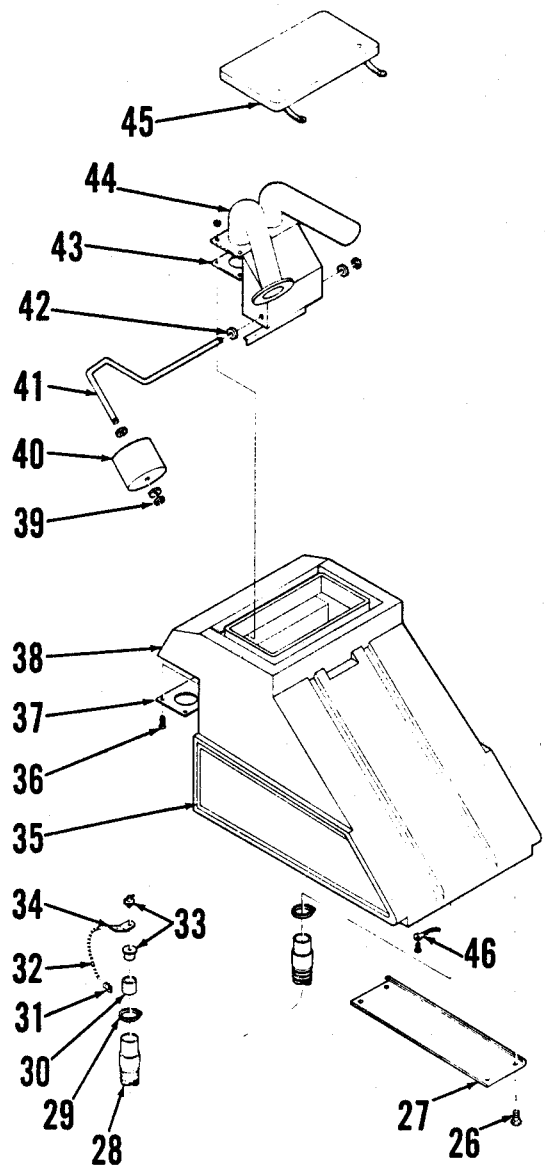
TRAC 240 DRIVE ASSEMBLY

Item	Part No.	Qty	Description
1	393023	1	Lift
2		2	1/2-13 x 1-3/4 Screw
3	367214	13	Washer
4	360627	2	Bushing
5		2	1/2-13 Nut
6	372129	1	Spring
7	372110	1	Bushing
8		1	5/8-18 Nut
9	393218	1	Yoke
10	393138	1	Bushing
11		2	5/8 Washer
12		1	5/8-18 x 2-1/2 Screw
13	444308	2	Pillow Block Assembly
14		4	3/8 Washer
15		4	3/8-16 x 3/4 Screw
16	393036	1	Support
17		8	1/2-13 Nut
18		16	1/2 Washer
19	367192	8	Washer
20	367168	8	Bearing
21	367206	8	Bushing
22	372218	4	Bar
23		8	1/2-13 x 1-3/4 Screw
24	393110	1	Drive Shaft
25	261230	1	Square Key
26	393213	1	Wheel
27		2	Grease Fitting
28		6	5/16-18 Nut
29	261020	1	Sprocket
30	378704	1	Square Key
31		2	5/16-24 x 3/8 Set Screw
32	261223	1	Adapter
33		6	5/16-18 x 1-1/4 Screw
34		4	3/8-16 Nut
35	393172	1	Drive Chain
36	393164	1	Sprocket
37	263253	1	Drive Motor 24V
	503023	1	Carbon Brush Set
38	393113	1	Drive Motor Mount
39		4	3/8-16 x 1 Screw
40		2	1/2-13 x 1 Screw
41	366633	4	Bearing
42	393028	1	Pedal
43	016281	1	Decal, Brush Lift
44		2	1/4-20 x 1 Screw
45	365081	1	Plate
46	365086	1	Rubber Pad
47	365087	1	Pedal Cup
48	380255	1	Foot Guard

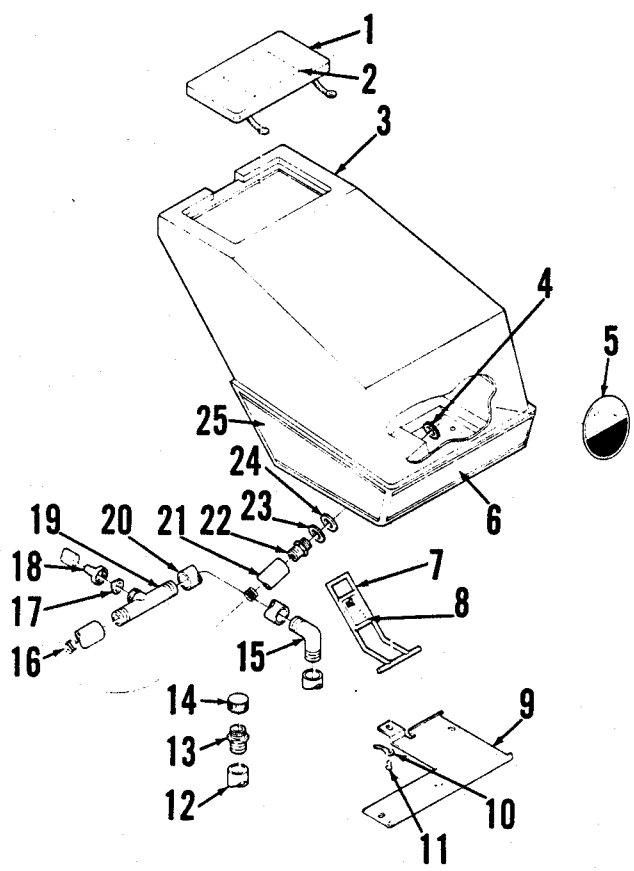


24B DRIVE ASSEMBLY

Item	Part No.	Qty	Description
1	393023	1	Lift
2		2	1/2-13 x 1-3/4 Screw
3	367214	19	Washer
4	360627	3	Bushing
5		2	1/2-13 Nut
6	372129	1	Spring
7	372110	1	Spacer
8		1	5/8-18 Nut
9		2	5/8 Washer
10	372102	1	Yoke
11	393138	1	Bushing
12		1	5/8-18 x 2-1/2 Screw
13	440408	2	Pillow Block Assembly
14		4	3/8 Washer
15		4	3/8-16 x 3/4 Screw
16	393030	1	Push Rod
17	395755	1	Ball Joint
18		12	1/2 Washer
19		6	1/2-13 x 1-3/4 Screw
20	367354	3	Collar
21		3	5/16-24 x 3/8 Set Screw
22	393036	1	Support
23		2	1/2-13 x 1-1/2 Screw
24	367192	12	Washer
25	367389	2	Bearing
26		4	1/2 Washer
27	114545	1	Rubber Bushing
28	393020	1	Lever
29	366633	4	Bushing
30	367192	12	Washer
31	393032	1	Connector Bar
32	367346	1	Shaft
33		1	1/2-13 Nut
34		6	1/2-13 Nut
35	372218	4	Bar
36	367206	10	Bushing
37	367168	10	Bearing
38		1	5/16-24 Nut
39	393031	1	Bar
40		2	Grease Fitting
41	393110	1	Shaft
42	395233	1	Wheel
43	261230	1	Square Key
44		2	1/2-13 x 1 Screw
45	360627	2	Bushing
46	393028	1	Pedal
47	016281	1	Decal, Brush Lift
48		2	1/4-20 x 1 Screw
49	365081	1	Plate
50	365086	1	Rubber Pad
51	365087	1	Pedal Cup
52	380255	1	Foot Guard

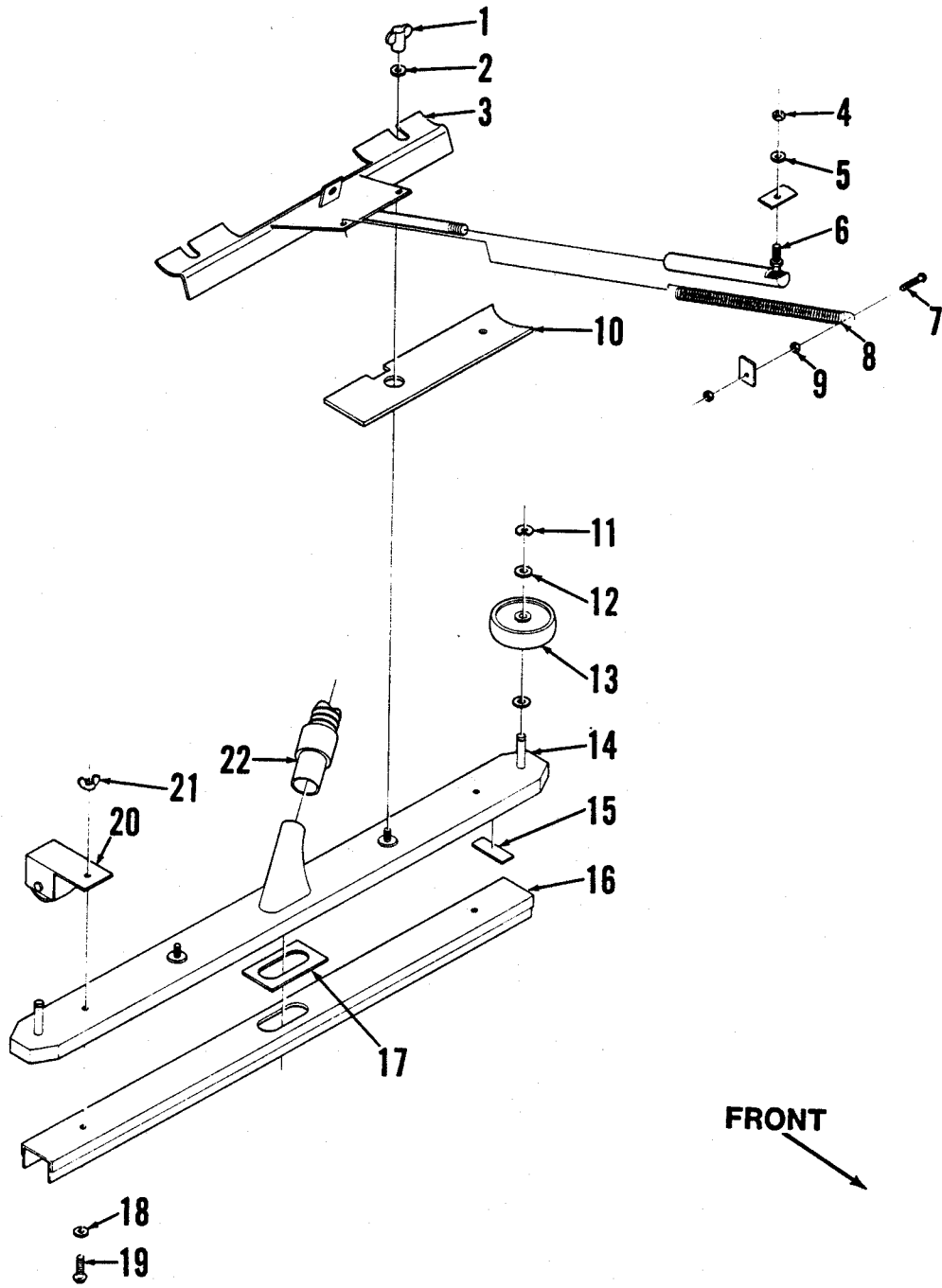


FRONT
↓



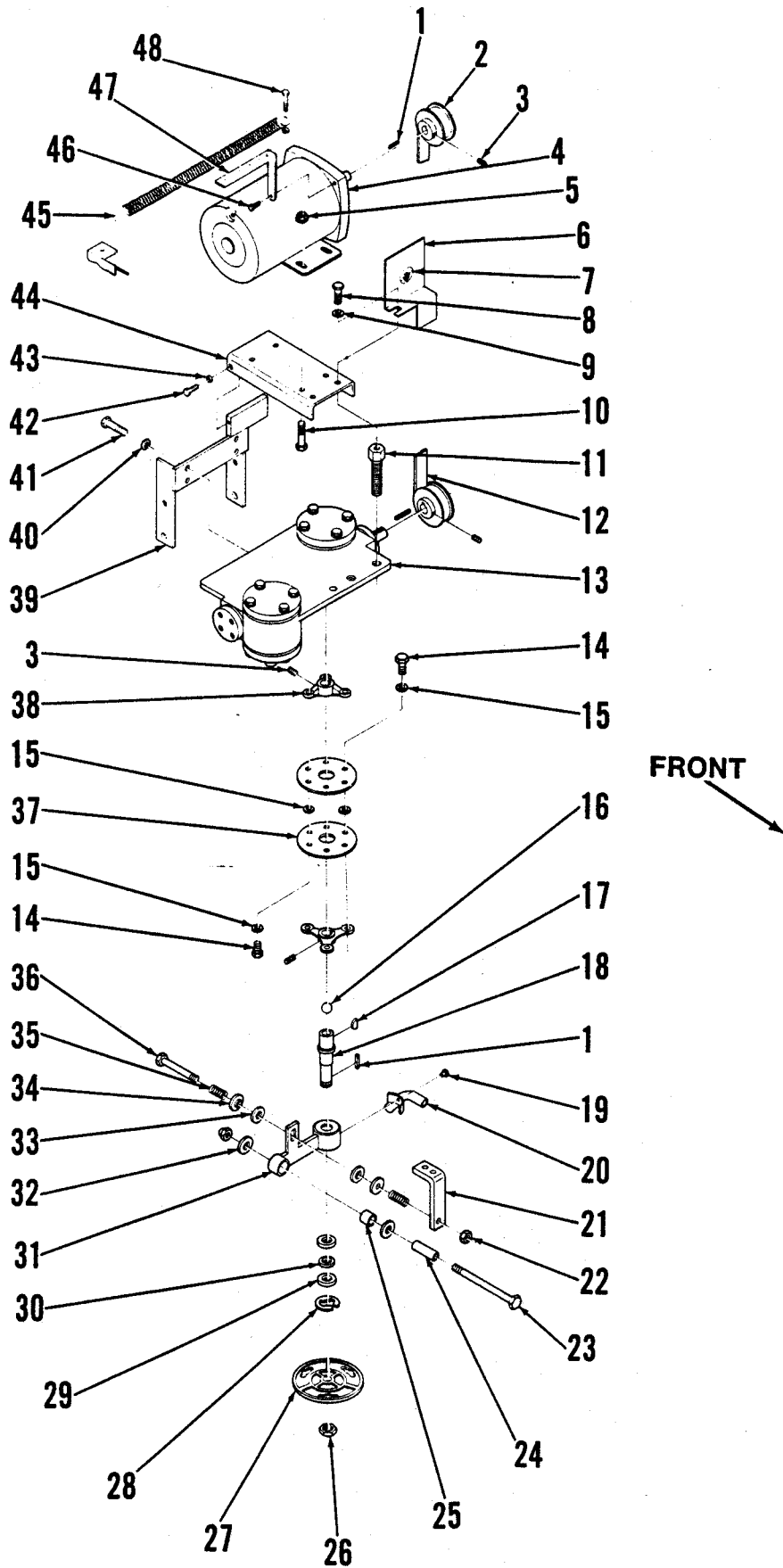
SOLUTION AND RECOVERY TANK ASSEMBLIES

Item	Part No.	Qty	Description
1	261204	1	Cover Assembly
2	014816	1	Decal, Japanese
3	393139	1	Solution Tank
	393085	1	Solution Tank Assembly
4	393187	1	3/4-16 Nut Knurled
5	023308	1	Decal, Logo
6	014711	1	Decal, Front Stripe
7	386051	1	Tube
8	014807	1	Decal, Japanese
9	393087	1	Hinge Plate
10	325240	1	Wire Rope
11		5	1/4-20 X 3/8 Screw
12	393186	1	Hose Cap
13	900273	1	Stem
14	255076	1	Cap
15	900272	1	Elbow
16	393183	1	Spring
17	393181	1	Screen
18	900270	1	Swivel
19	900271	1	Tee
20	393185	1	Hose
21	393184	1	Hose
22	393182	1	Barb
23	475280	1	Steel Washer
24	154717	1	Rubber Washer
25	014715	1	Decal, Right Stripe
	014716	1	Decal, Left Stripe
26		5	1/4-20 X 3/8 Screw
27	386055	1	Hinge Plate
28	395865	1	Hose
29	329145	2	Hose Clamp
30	376940	1	Cuff Tube
31	376972	1	Clip
32	209992	1	Chain
33	376948	1	T-Handle Plug
34	376944	1	Clip
35	014718	1	Decal, Right Stripe
	014717	1	Decal, Left Stripe
36	900188	6	1/4-20 X 1 Screw
37	386033	1	Gasket Plate
38	393140	1	Recovery Tank
	393095	1	Recovery Tank Assembly
39	321125	2	Retaining Ring
40	385352	1	Foam Float TSB 569 - G9
41	386074	1	Float Lever
42	454626	4	Washer
43	386034	1	Gasket
44	393166	1	Inlet TSB 569 - G9
45	261364	1	Cover Assembly TSB 532 - G11
	261183	1	Gasket
46	393081	1	Cable



SQUEEGEE AND MOUNT

Item	Part No.	Qty	Description
	372975	1	Squeegee Assembly
1	370711	2	Thumb Nut
2		2	5/16 Flat Washer
3	393050	1	Squeegee Mount
4		1	1/2-20 Nut
5		1	1/2 Flat Washer
6	477813	1	Ball Joint
7		2	1/4-20 x 1-1/2 Screw
8	398606	2	Spring
9		4	1/4-20 Nut
10	393142	2	Squeegee Weight
11	157060	2	Retaining Ring
12	371009	4	Washer
13	363855	2	Wheel
14	372978	1	Channel
15	400614	2	Gasket
16	372992	1	Cartridge TSB 590 - G6
17	400613	1	Gasket
18		2	1/4 Brass Washer
19		2	1/4-20 x 1-1/4 Screw
20	387376	2	Roller
21		2	1/4-20 Nut
22	393135	1	Squeegee Hose

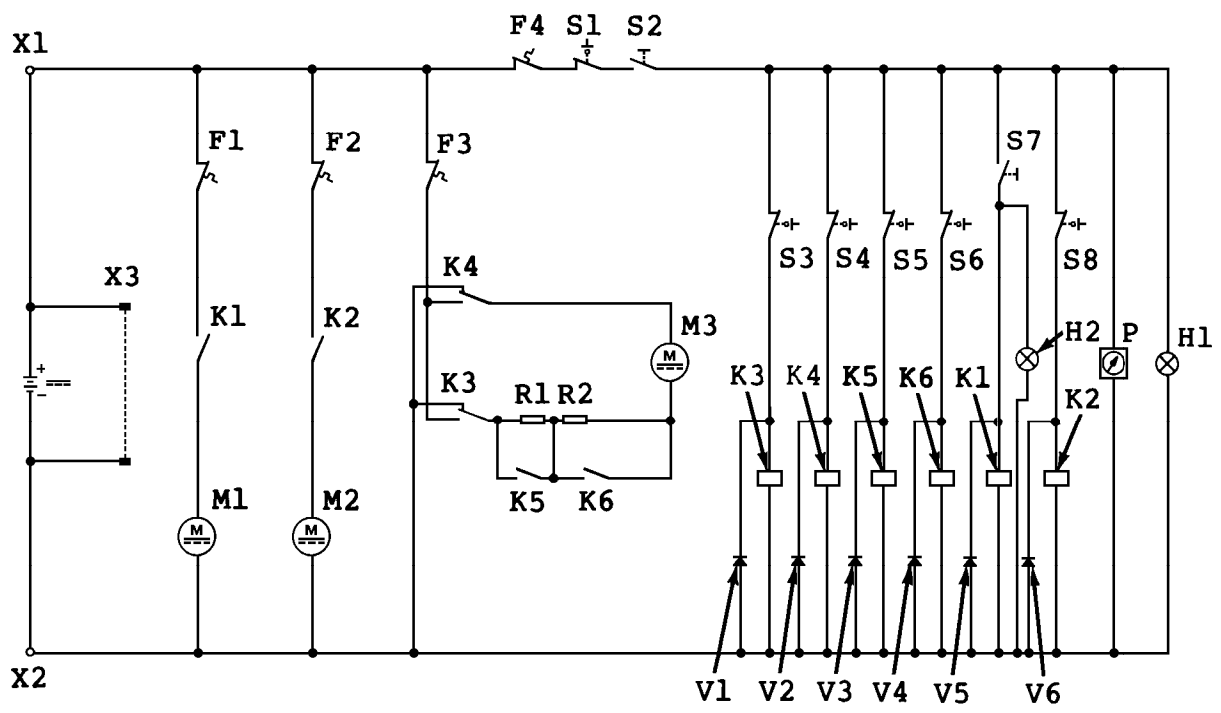


BRUSH DRIVE ASSEMBLY

Item	Part No.	Qty	Description	Item	Part No.	Qty	Description
1	367958	3	Square Key	35	171177	4	Spring
2	372626	2	Sheave	36		2	3/8-16 x 2-3/4 Screw
3		6	5/16-24 x 3/8 Set Screw	37	104647	4	Disc
4	372765	1	Motor 24V	38	366382	4	Universal Casting
	448729	1	Carbon Brush Set	39	393036	1	Support
5		4	3/8-16 Nut	40		4	3/8 Washer
6	393170	1	Belt Guard	41		4	3/8-16 x 1 Screw
7	030080	1	Decal, Hands Clear	42		2	1/4-20 x 3/4 Screw
8		2	5/16-18 x 1/2 Screw	43	368989	7	Bushing
9		2	5/16 Lock Washer	44	372039	1	Motor Mount
10		4	3/8-16 x 1-1/2 Screw	45	371114	1	Spring
11	378631	2	Stud Screw	46		1	1/4-20 x 1-1/2 Screw
12	327476	1	Belt	47	372235	1	Spring Bracket
13	393177	1	Gear Case	48		1	1/4-20 x 1-1/2 Screw
	393090	1	Gear Case Assembly Trac 240				
	393150	1	Gear Case Assembly 24B				Optional Accessories:
14	366447	12	Bolt	*	505235	1	Prolene Brush (set of 2)
15		24	3/8 Washer	*	505237	1	Pad Holder (set of 2)
16	366404	2	Ball	*	505238	1	Dyna-Grit Brush (set of 2)
17	366366	2	Woodruff Key	*	505239	1	Magna-Grit Brush (set of 2)
18	366412	2	Brush Holder Shaft	*	505236	1	Union Mix Brush (set of 2)
19	369128	2	Grease Fitting				
20	369136	1	Left Water Feed Bracket				* = Not Shown
21	378437	2	Bracket				
22		2	3/8-16 Nut				
23	440787	1	Bolt 24B				
		1	1/2-13 Lock Nut				
24	440698	1	Bushing 24B				
25	114545	1	Rubber Bushing 24B				
26	366420	2	5/8-18 Lock Nut				
27	367931	2	Holder Casting				
28	366544	2	Retaining Ring				
29	372773	4	Ball Bearing				
30	366528	2	Rubber Bushing				
31	371750	2	Pressure Arm				
	372595	2	Pressure Arm Assembly				
32		2	1/2 Washer				
33	367184	4	Thrust Bearing				
34	440760	4	Washer				

TRAC 240 WIRING DIAGRAM

Item	Part No.	Qty	Description
X1,2	454376	2	Terminal Stud
X3	371500	1	Charger Plug
F1	454429	1	70A Circuit Breaker
F2	469788	1	25A Circuit Breaker
F3	395454	1	20A Circuit Breaker
F4	387316	1	10A Circuit Breaker
51	388019	1	Charger Interlock Switch
52	376348	1	Main Switch
53	385615	1	Forward Switch
54	385615	1	Reverse Switch
55	385615	1	2nd Speed Switch
56	385615	1	3rd Speed Switch
57	376348	1	Brush Motor Switch
58	388019	1	Vac Motor Switch
K1,2	468358	2	Solenoid
K3,4	263261	2	Solenoid
K5,6	468358	2	Solenoid
R1,2	467470	2	Resistor
M1	372765	1	Brush Motor
M2	372505	1	Vac Motor
M3	263253	1	Drive Motor
V1-6	389265	6	Diode Assembly
P	389528	1	Battery Condition Meter
H1	389434	1	Main Indicator Light
H2	389434	1	Brush Indicator Light



24B WIRING DIAGRAM

Item	Part No.	Qty	Description
X1,2	454376	2	Terminal Stud
X3	371500	1	Charger Plug
F1	454429	1	70A Circuit Breaker
F2	469788	1	25A Circuit Breaker
F3	387316	1	10A Circuit Breaker
K1,2	468358	2	Solenoid
M1	372765	1	Brush Motor
M2	372505	1	Vac Motor
P	389528	1	Battery Condition Meter
H	389434	1	Indicator Light
S1	388019	1	Charger Interlock Switch
S2	376348	1	Brush Switch /
S3	388019	1	Vac Switch
V1,2	389265	2	Diode Assembly

