



# Electronic Service Manuals

This electronic document is provided as a service to our customers. We do not create the contents of the information contained in this document. Should you have detailed questions pertaining to the information contained in this document, you may contact Michco, or the manufacturer which provided the original information in this electronic deliverable. Michco's only part in this electronic deliverable was the electronic assembly process.

You may contact Michco through the following methods:  
Phone (517) 484-9312 or (800) 331-3339 MI, OH, IN only  
2011 N. High St. -- Lansing, Michigan -- 48906  
Fax: (517) 484-9836  
Email: [CustServ@Michco.com](mailto:CustServ@Michco.com)  
Web site: [www.Michco.Com](http://www.Michco.Com)  
Parts Web site: [www.FloorMachineParts.Com](http://www.FloorMachineParts.Com)

Order Parts on Line at:  
**[www.FloorMachineParts.Com](http://www.FloorMachineParts.Com)**

Directly to Parts & Service:  
By Email: **[Shop@Michco.com](mailto:Shop@Michco.com)**  
By Fax: (517) 702-2041  
By Voice: Use numbers above.

**Serving the Cleaning Industry Since 1922**

Notice: All copyrighted material remains property of original owners, all trademarks are property of respective owners. Manuals are subject to Manufacturer's reproduction limitations. Originals or reproductions were provided by manufacturers through a request. We make no warranty as to the correctness of information provided in this document and you assume all risk.

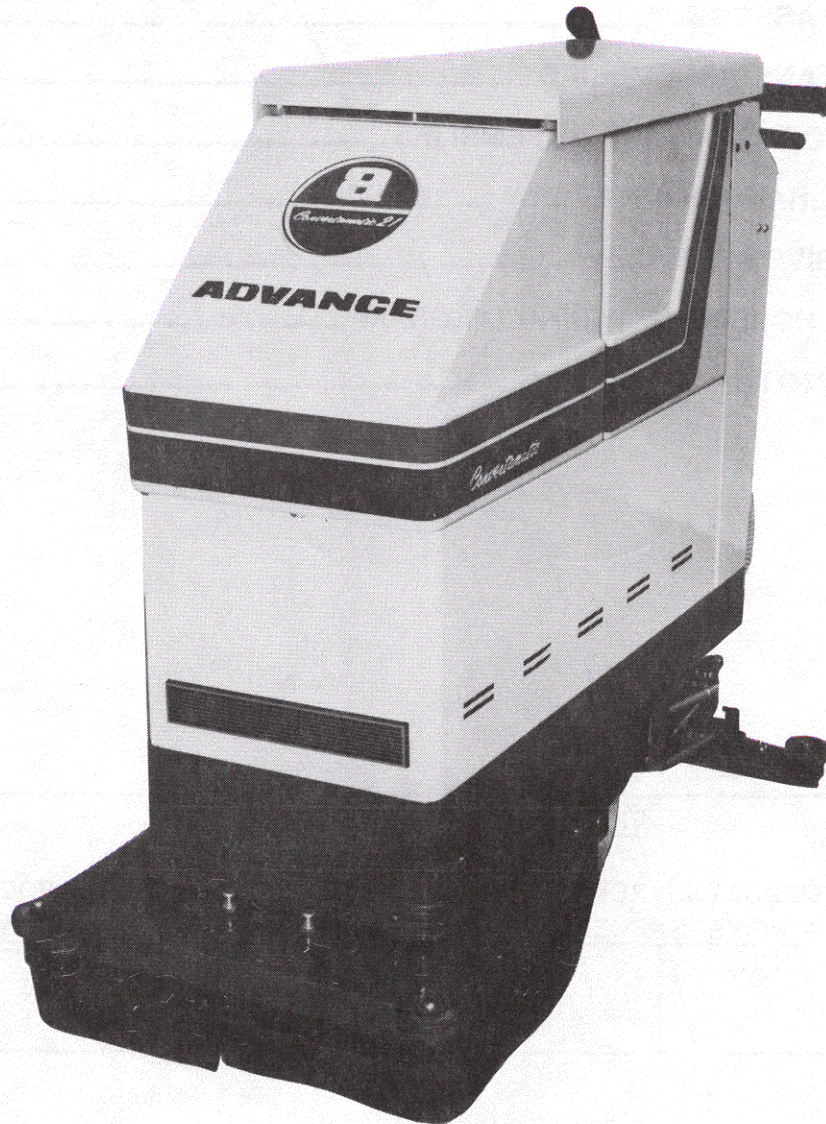
**CONVERTAMATIC**

**MODEL 210 B**

**FORM NO. 042 087**

**DECEMBER 1982**

# PARTS LIST



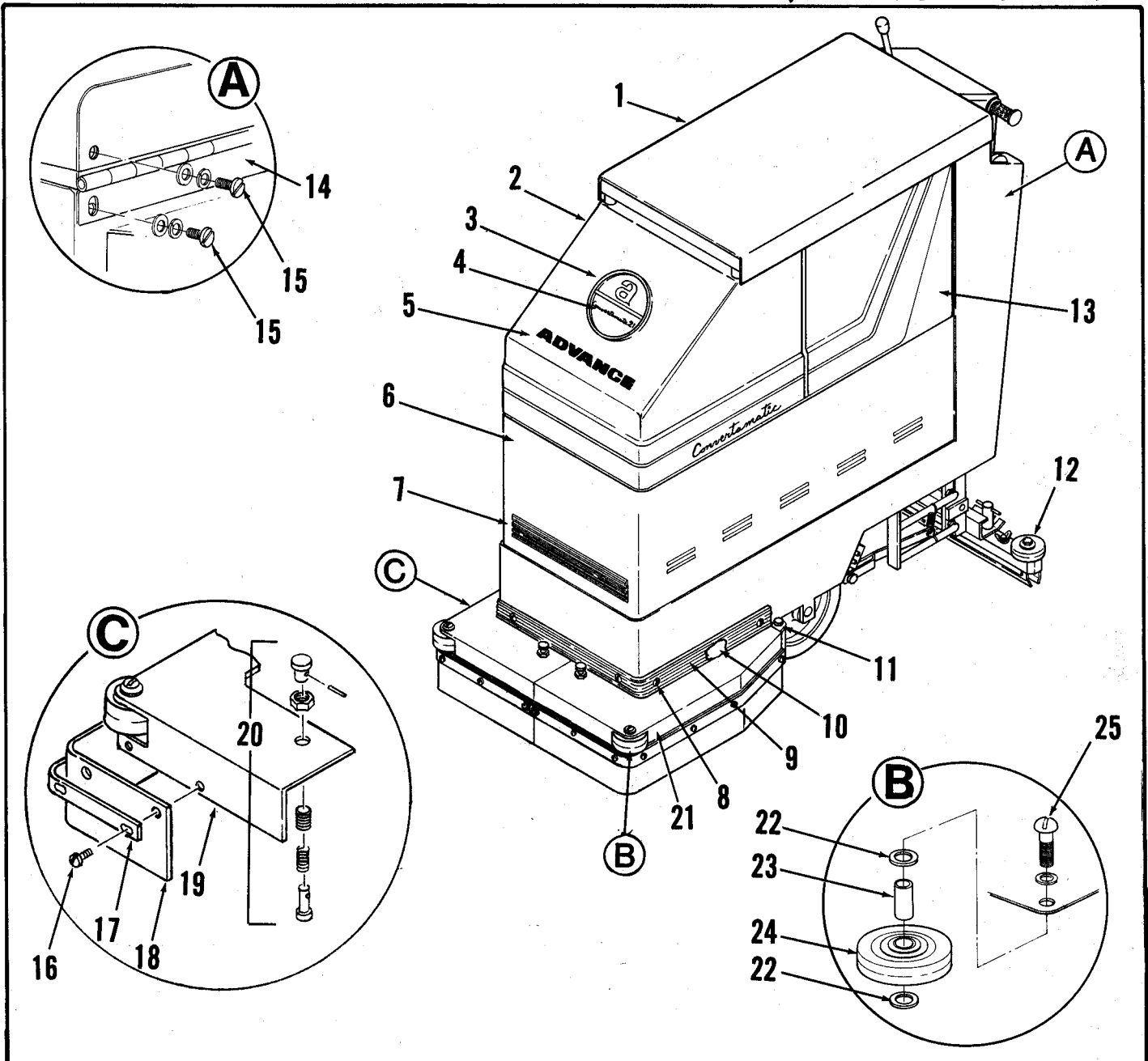
**ADVANCE**  
**MACHINE COMPANY**

**INTERNATIONAL HEADQUARTERS**, Spring Park, Minnesota 55384 USA  
**EUROPE**, 4 Rue Jean Engling, L - 1466 Luxembourg  
**CANADA**, 1295 Crestlawn Drive, Mississauga, Ontario L4W 1A9

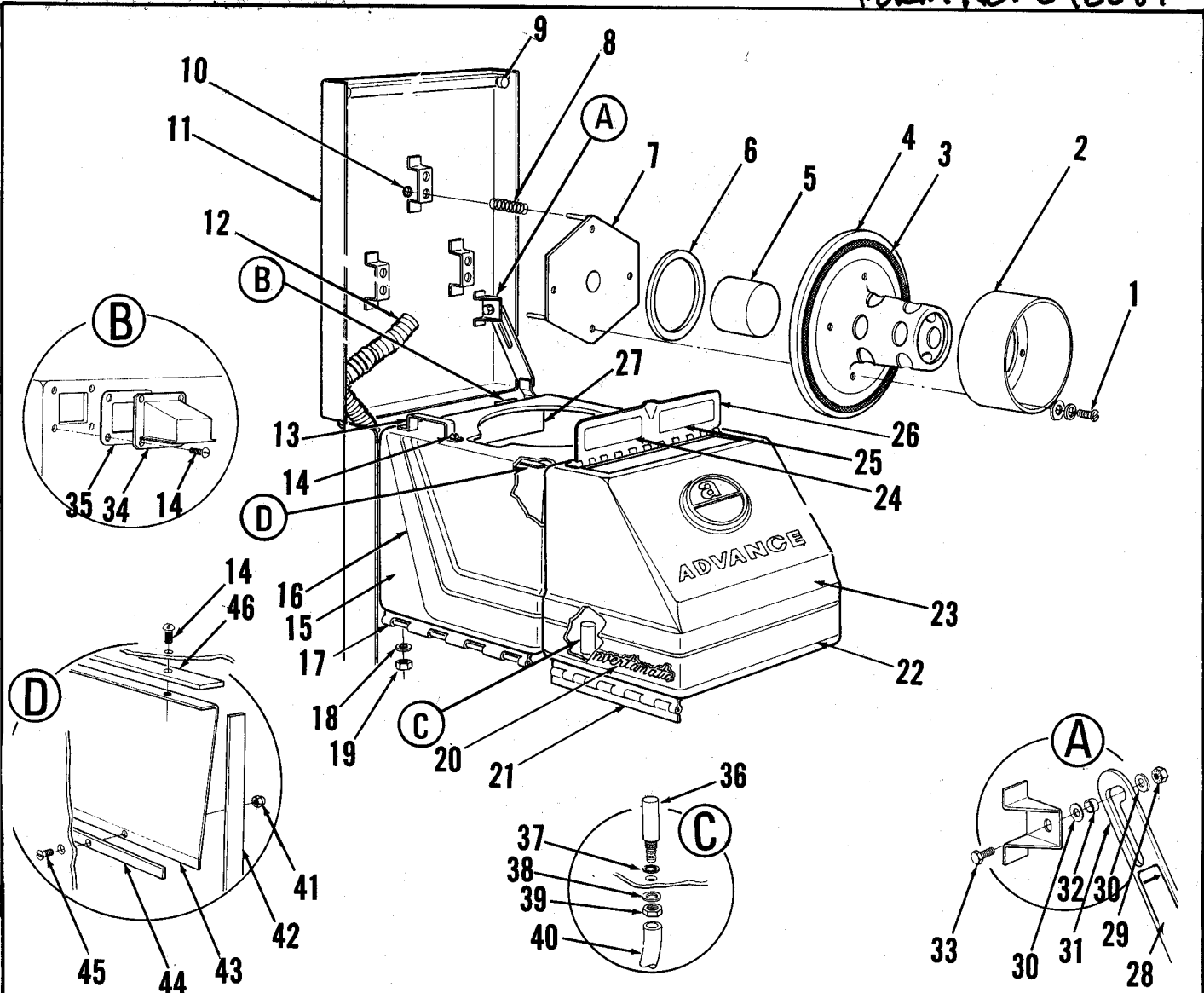


## Index for Form Number 042087

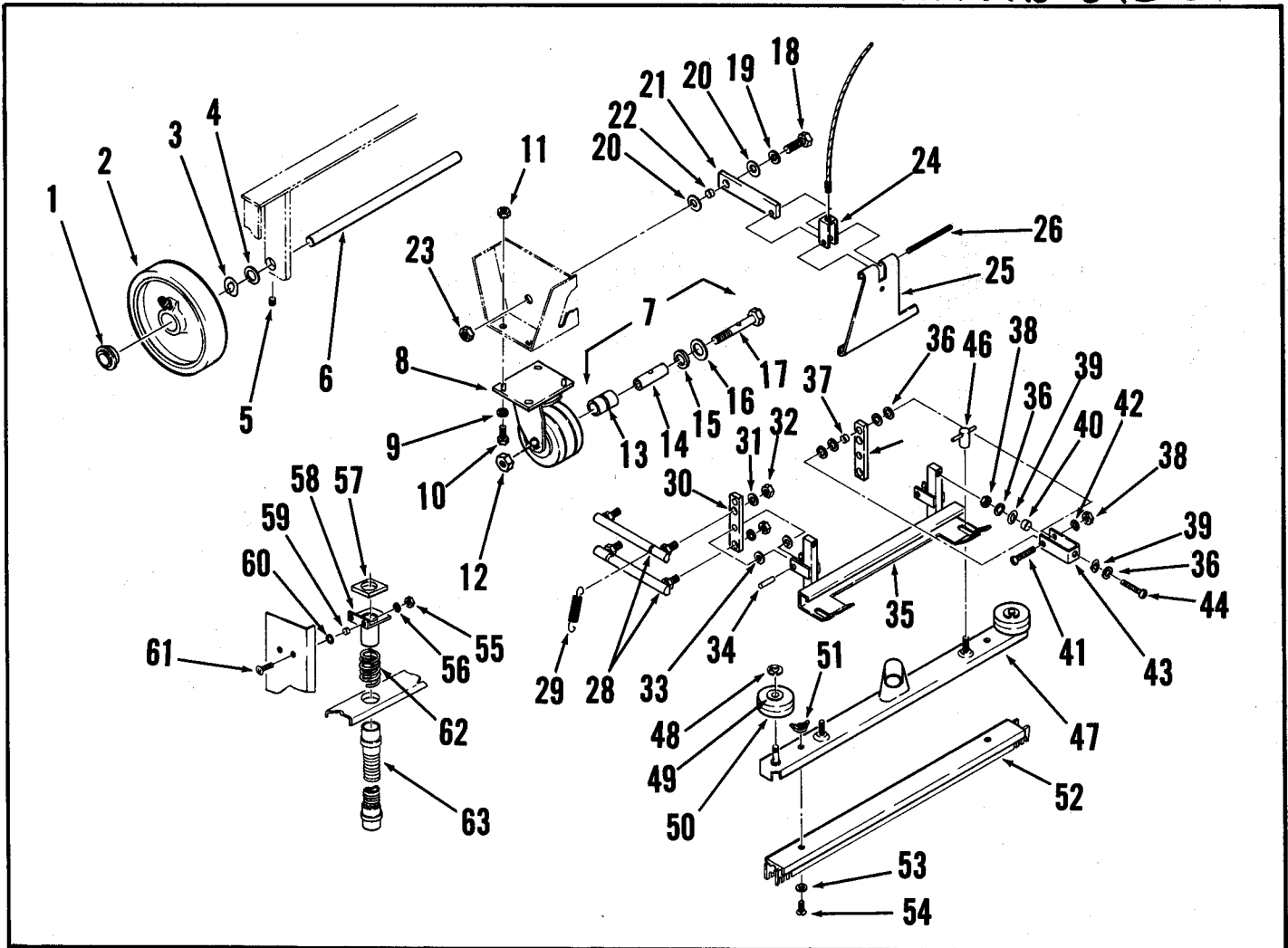
<b>Description</b>	<b>Location</b>	<b>page</b>
Battery Housing	D12	8
Brush Drive	D10	6
Control Handle	D8	4
Motor, Vacuum	D14	10
Outer Body	D5	1
Squeegee & Wheels	D7	3
Tanks & Hood	D6	2
Wiring Diagram	D13	9



ITEM	PART NO	QTY	DESCRIPTION	ITEM	PART NO	QTY	DESCRIPTION
1	364 060	1	HOOD ASSEMBLY	22	371 009	4	WASHER .391 x .62 x .06
2	365 189	1	TANK ASSEMBLY, SOLUTION	23	360 139	2	BUSHING, SPACER
3	024 958	1	DECAL, ADVANCE	24	363 855	2	WHEEL, BUMPER
4	016 387	1	DECAL, "CONVERTAMATIC 21"	25		2	SCREW, RD. HD. 1/4-20 x 1-3/8 W/LOCKWASHER
5	016 519	1	DECAL, ADVANCE				
6	364 101	1	HOUSING, BATTERY				
7	016 148	1	GRILL				
8		4	SCREW, PHILLIPS PAN HD. #10-24 x 1/2				
9	364 490	1	BUMPER				
10	364 492	1	STRAP, BUMPER				
11	360 147	2	PIN, HINGE				
12	364 127	1	SQUEEGEE MOUNT ASSEMBLY				
13	365 185	1	TANK ASSEMBLY, RECOVERY				
14	385 842	1	HINGE				
15		10	SCREW, PAN HD. #10-24 x 3/8 W/FLAT & LOCK WASHER				
		5	WHIZ NUT				
16	384 929	12	SCREW, BLACK #10-24 x 1/2				
17	364 570	2	STRAP				
18	364 572	2	GUARD, RUBBER				
19	364 550	1	SKIRT, RIGHT				
20	365 548	2	LOCK ASSEMBLY				
21	364 552	1	SKIRT, LEFT				

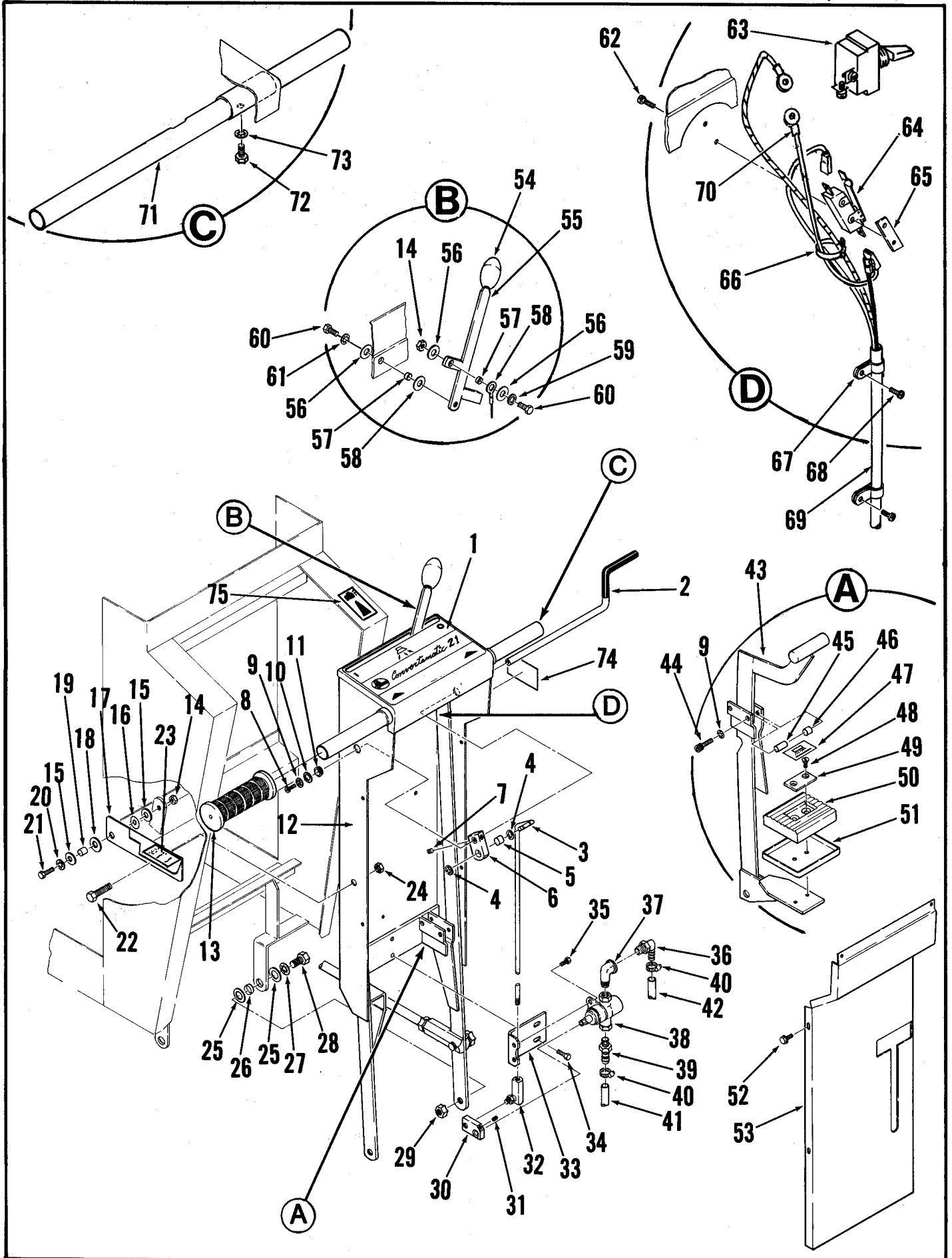


ITEM	PART NO	QTY	DESCRIPTION	ITEM	PART NO	QTY	DESCRIPTION
1		4	SCREW, PAN HD. #10-24 x 1/2 BRASS W/FL. & LK. WASHERS	31	385 868	1	LATCH
2	379 206	1	DEFLECTOR	32	163 872	1	BUSHING
3	372 718	1	GASKET 12.0 x 13.0 x .25	33		1	SCREW, HEX HD. 1/4-20 x 5/8
4	385 237	1	COVER	34	374 550	1	ADAPTOR, INLET
5	385 198	1	FLOAT	35	374 558	1	GASKET
6	372 716	1	GASKET 5.50 x 6.50 x .12	36	368 725	1	SCREEN
7	372 538	1	MOUNT	37	368 776	1	GASKET
8	379 170	3	SPRING	38		1	WASHER, FLAT 5/8
9	386 312	2	STOP, HOOD	39		1	NUT, HEX 5/8-18
10	321 125	3	RING, RETAINING EXT. 1/4E	40	364 188	1	TUBE
11	364 064	1	HOOD	41		2	NUT, ACORN #10-24
12	364 174	1	HOSE, VAC 1.5 x 75.0	42	300 314	1	GASKET RS 3/16 x 1/2 x 20"
13	365 193	2	HANDLE	43	365 201	1	PANEL
14		16	SCREW, BRASS RD. HD. 1/4-20 x 5/8	44	365 191	1	GASKET 1/8 x 1/2 x 15"
15	016 555	1	STRIP, RIGHT	45		2	SCREW, FLAT HD. #10-24 x 1/2
16	016 557	1	STRIP, LEFT	46	365 187	1	GASKET, 1/8 x 1/2 x 14.6
17	361 882	1	TANK, RECOVERY	47	151 017	1	KNOB, COVER (NOT SHOWN)
18	365 199	1	HINGE				
19		5	WASHER, SHAKEPROOF 1/4				
20	016 370	11	NUT, HEX 1/4-20				
21	365 180	2	EMBLEM				
22	016 558	1	HINGE				
23	360 917	1	STRIP				
24	016 185	1	TANK, SOLUTION				
25	016 057	1	DECAL, "LOW SUDSING"				
26	361 003	1	DECAL, "CAUTION"				
27	385 234	1	COVER				
28	016 183	1	PLATE, DEFLECTOR				
29		2	DECAL, RELEASE				
30		1	NUT, WHIZ 1/4-20				
		2	WASHER, FLAT 1/4				



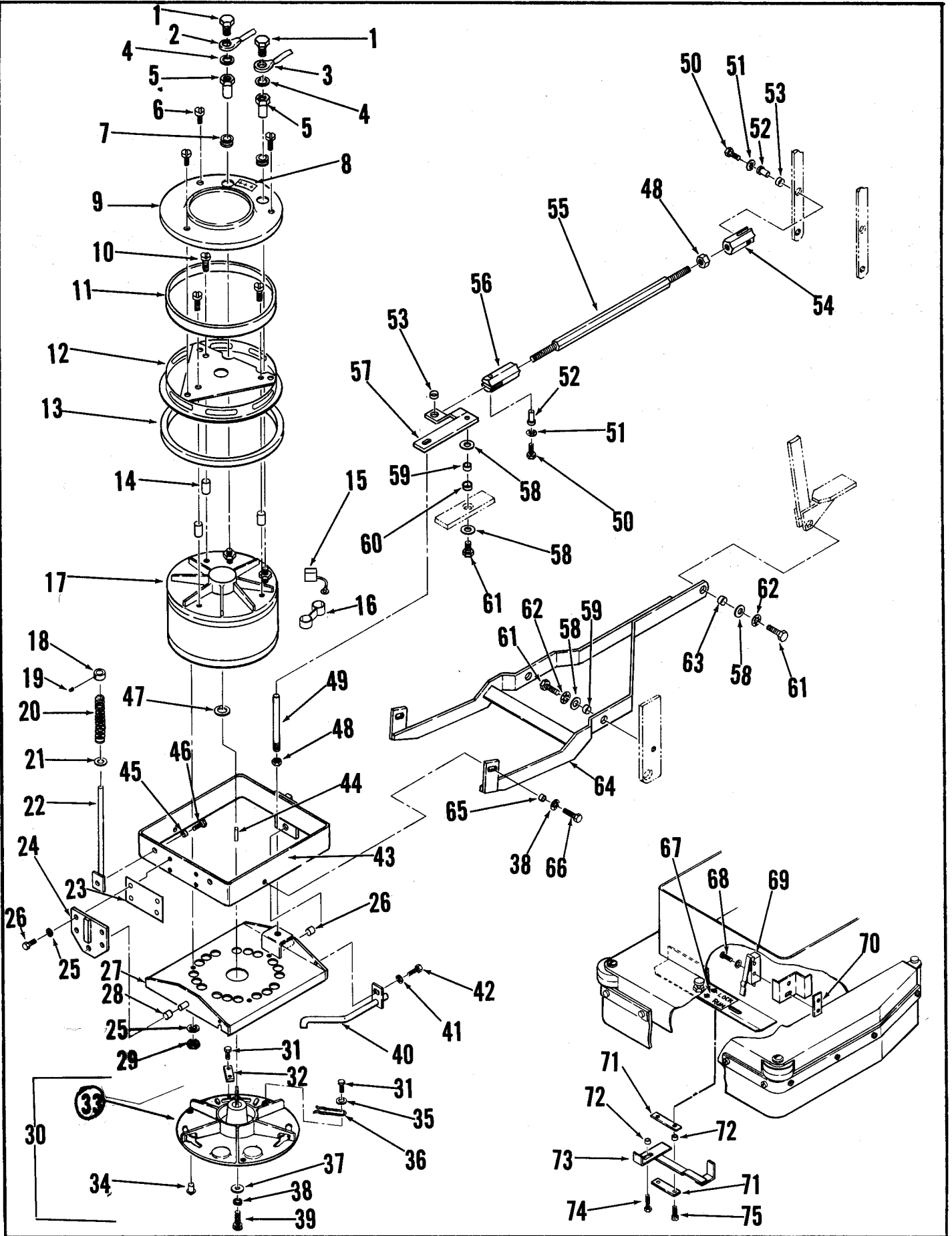
1	362 352	4	BEARING, BALL	40	206 784	2	BUSHING
2	362 336	2	WHEEL 8"	41		2	SCREW, RD. HD. 1/4-20 x 1-1/8
3	362 883	2	WASHER, SPRING	42		2	WASHER, SHAKEPROOF 1/4
4	367 192	2	WASHER	43	371 823	2	CLAMP, "U"
5		2	SCREW, SOCKET SET 1/4-20 x 1/4	44		2	SCREW, RD. HD. 1/4-20 x 1-3/4
6	360 597	1	AXLE	45	363 875	1	SQUEEGEE ASSEMBLY C/O
7	365 629	1	CASTER ASSEMBLY C/O	46	370 711	2	NUT, WING 5/16-18
8	365 661	1	FORK, CASTER 4"	47	363 878	1	CHANNEL
9		4	WASHER, LOCK 3/8	48	157 066	2	RING, RETAINING
10		4	SCREW, HEX HD. 3/8-16 x 1"	49	371 009	2	WASHER, .391 x .62 x .06
11		4	NUT, HEX 3/8-16	50	363 855	2	WHEEL, 2.50 x .812
12		1	NUT, HEX 1/2-13	51		2	WING NUT 1/4-20
13	365 718	1	BEARING, NEEDLE	52	363 882	1	CARTRIDGE, SQUEEGEE
14	365 734	1	BUSHING, SPANNER	53		2	WASHER, BRASS 1/4
15	365 726	2	SEAL, CREASE	54		2	SCREW, RD. HD. 1/4-20 x 5/8 BRASS
16	365 750	2	WASHER	55		2	NUT, HEX #10-24
17	365 645	1	BOLT, AXLE	56		2	WASHER, LOCK #10
18		1	SCREW, HEX HD. 1/2-13 x 1-1/4	57	385 055	1	GASKET
19		1	WASHER, LOCK 1/2	58	385 054	1	TUBE
20		2	WASHER, FLAT 1/2	59	151 092	2	BUSHING
21	364 122	1	BAR, LINKAGE	60		2	WASHER, FLAT #10
22	360 627	1	BUSHING	61	570 220	2	SCREW
23		1	NUT, HEX 1/2-13	62	404 800	2	SPRING, COMPRESSION
24	363 784	1	YOKE	63	550 941	1	HOSE ASSEMBLY, PICK-UP
25	364 120	1	BRACKET, LIFT				
26	364 144	1	PIN				
27	364 127	1	MOUNT ASSEMBLY				
28	365 289	4	BALL JOINT				
29	371 874	2	SPRING				
30	371 807	2	BAR, ADJUSTING				
31		4	WASHER, LOCK 5/16				
32		4	NUT, HEX 5/16				
33	150 142	4	WASHER				
34		2	PIN, ROLL 1/4 x 7/8				
35	364 135	1	MOUNT, SQUEEGEE				
36		12	WASHER, FLAT 1/4				
37	366 862	2	BUSHING				
38		4	NUT, HEX 1/4-20				
39	163 880	4	WASHER, SPRING				

TSB 590-64



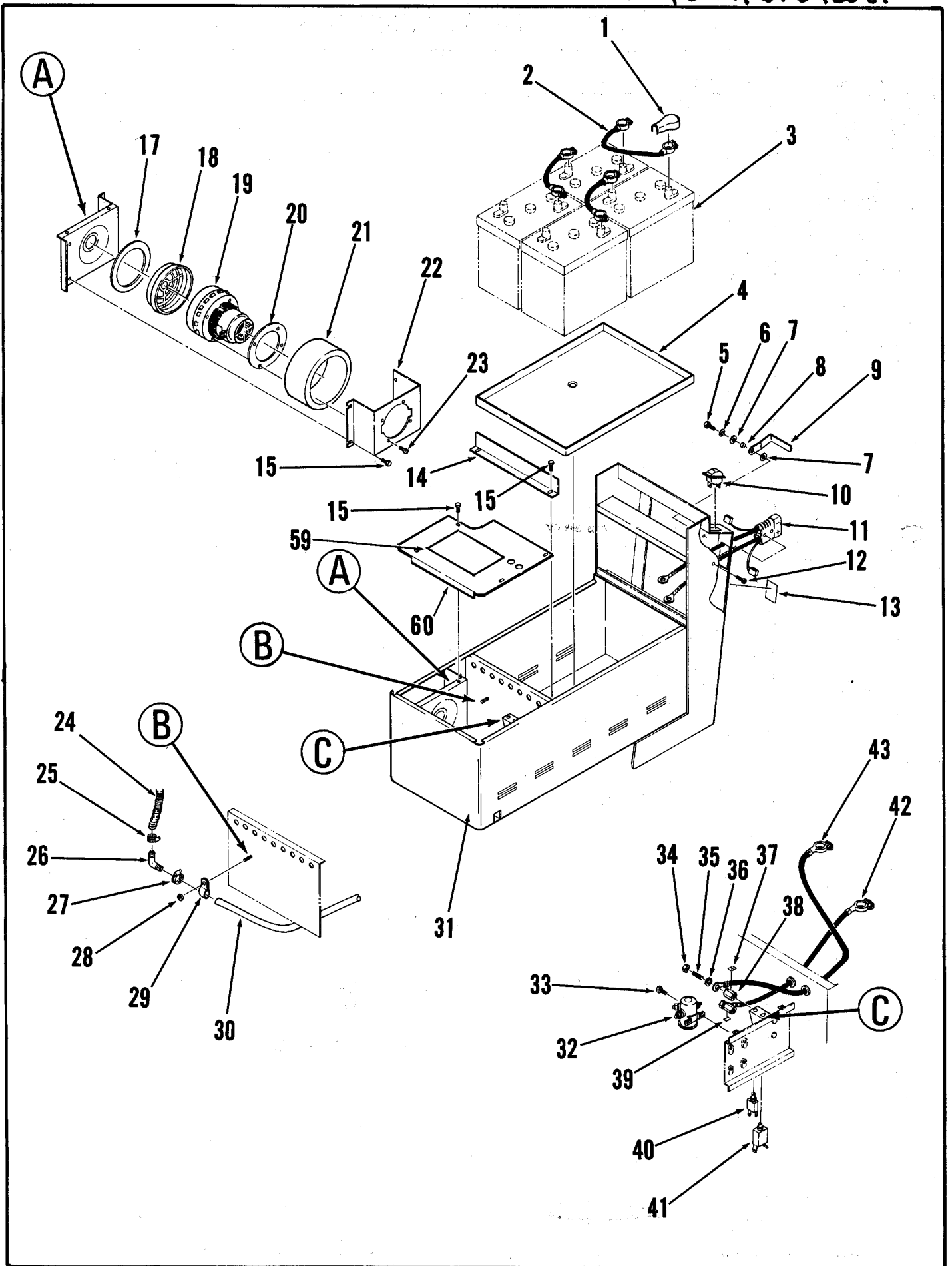
## CONTROL HANDLE ASSEMBLY

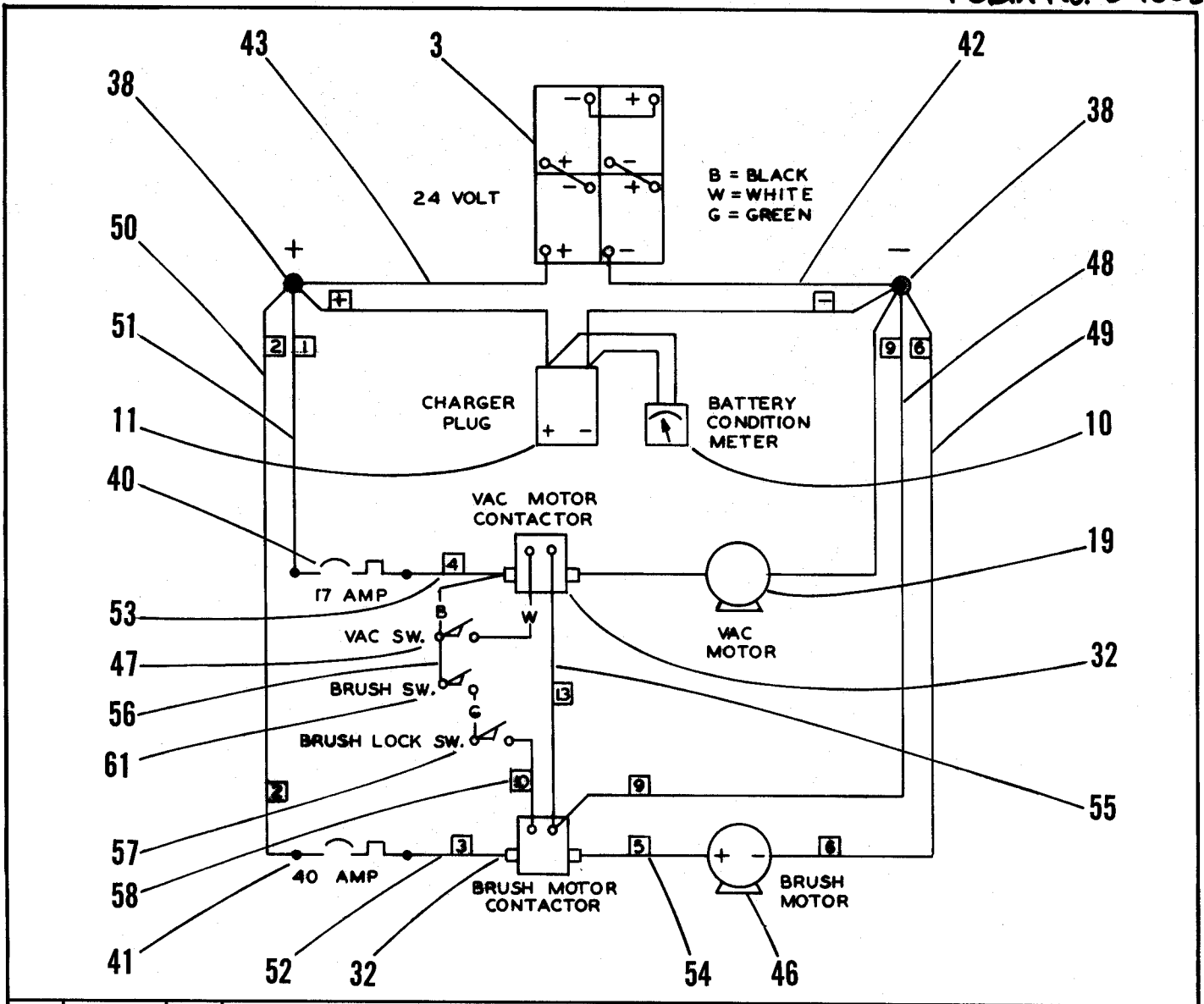
ITEM	PART NO	QTY	DESCRIPTION
1	016 930	1	DECAL, CONTROL PANEL
2	364 352	1	LEVER, SOLUTION
3	364 332	1	ROD, LIFT
4	373 797	2	RING, RETAINING 5/16 E
5	373 795	1	SLEEVE, BEARING .313
6	364 360	1	LEVER
7		1	SCREW, SOC. HD. SET 1/4-20
8		1	SCREW, PHILLIPS HD. #10-24 x 3/8
9		3	WASHER, SHAKEPROOF #10
10		1	WASHER, FLAT #10
11	329 098	2	BEARING, NYLON .375
12	364 302	1	HANDLE, CONTROL
13	514 085	2	GRIP, HANDLE
14		2	NUT, HEX 1/4-20
15	151 114	2	WASHER, FLAT
16	151 041	1	WASHER, BOWED
17	372 636	1	LATCH
18	151 068	1	WASHER, FIBER
19	368 997	1	BUSHING
20		1	WASHER, SHAKEPROOF 1/4
21		1	SCREW, HEX HD. 1/4-20 x 3/4
22		1	SCREW, HEX HD. 3/8-16 x 1-3/8
23	015 576	1	DECAL, LATCH
24		1	NUT, HEX 3/8-16
25	367 214	4	WASHER
26	360 627	2	BUSHING
27		2	WASHER, SHAKEPROOF 1/2
28		2	SCREW, HEX HD. 1/2-13 x 1"
29		2	NUT, HEX 1/2-13
30	373455	1	ARM
31		1	SCREW, SOC. HD. SET #10-24
32	373 462	1	BALL JOINT
33	364 354	1	BRACKET
34		2	SCREW, HEX HD. 1/4-20 x 1/2 HP-5
35		2	SCREW, HEX HD. #10-24 x 3/8 HP-5
36	756 739	1	BARB 3/8 x 3/8 x 90 PE
37	369 632	1	ELBOW, ST. 1/4 x 90 BR
38	368 903	1	VALVE, 2-WAY 1/4
39	373 456	1	BARB, 1/2 x 1/4 BR SP
40	219 932	2	CLAMP, HOSE
41	454 618	1	TUBE PVC .50 x 45
42	375 410	1	TUBE PVC .375 x 38
43	364 160	1	PEDAL, HAND-FOOT
44		2	SCREW, SOC. HD. CAP #10-24 x 1
45	365 089	2	BUSHING .20 x .31 x .93
46	365 088	2	BUSHING .31 x .43 x .50
47	016 281	1	DECAL, BRUSH
48		2	SCREW, FLAT HD. 1/4-20 x 1"
49	365 081	1	PLATE
50	365 086	1	PAD, RUBBER
51	365 087	1	CUP, PEDAL
52	364 454	1	PANEL
53		4	SCREW, SELF-TAPPING #6-32 x 3/8
54	364 527	1	KNOB
55	364 358	1	HANDLE
56	150 142	4	WASHER, .265 x .75 x .03
57	379 298	2	BUSHING .25 x .37 x .21
58	364 187	1	WIRE ROPE ASSEMBLY 28.2
59		1	WASHER, LOCK 1/4
60		2	SCREW, HEX HD. 1/4-20 x 5/8
61		1	WASHER, SHAKEPROOF 1/4
62		2	SCREW, PAN HD. #6-32 x 5/8
63	370 347	1	SWITCH, TOGGLE
64	171 225	1	SWITCH, SNAP SPST NC
65	385 747	1	PLATE, NUT
66	325 219	1	TIE, CABLE
67	342 319	2	CLAMP, CABLE
68		2	SCREW, PHILLIPS HD. HP-5 #10-24 x 3/8
69	364 152	1	CORD ASSEMBLY 14/3 x 3/8
70	755 590	1	WIRE ASSEMBLY #14 x 5.00
71	364 362	1	TUBE, HANDLE
72	234 079	1	SCREW
73		1	WASHER, SHAKEPROOF 5/8
74	016 112	1	DECAL, SWITCH
75	016 334	1	DECAL, SOLUTION VALVE



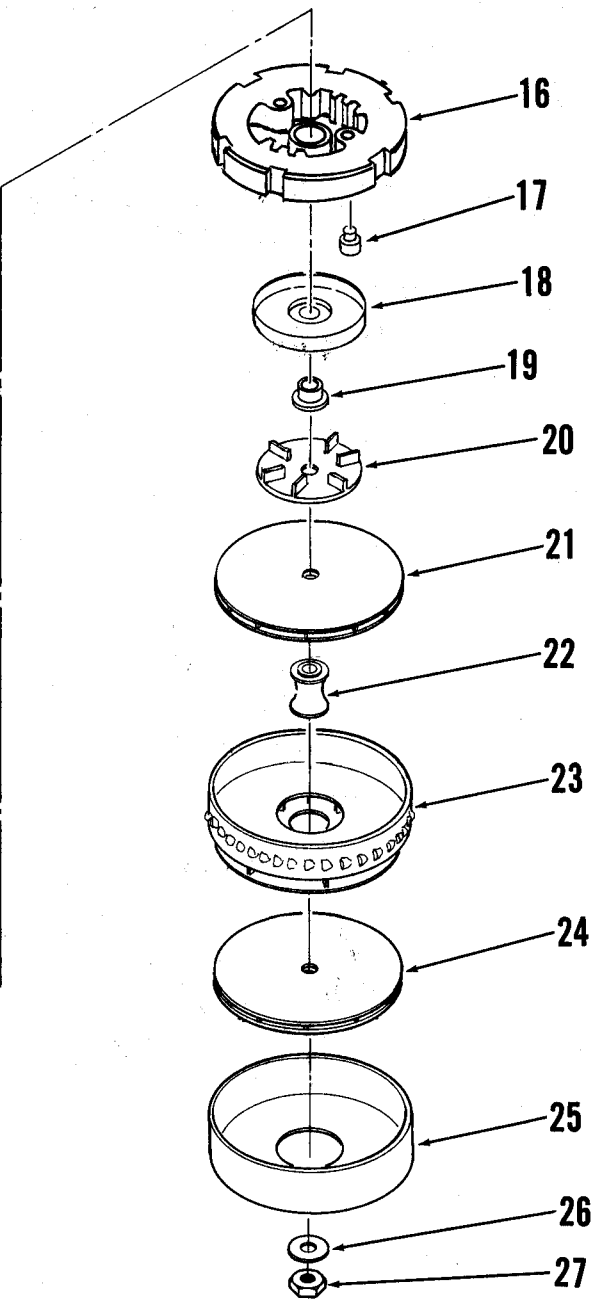
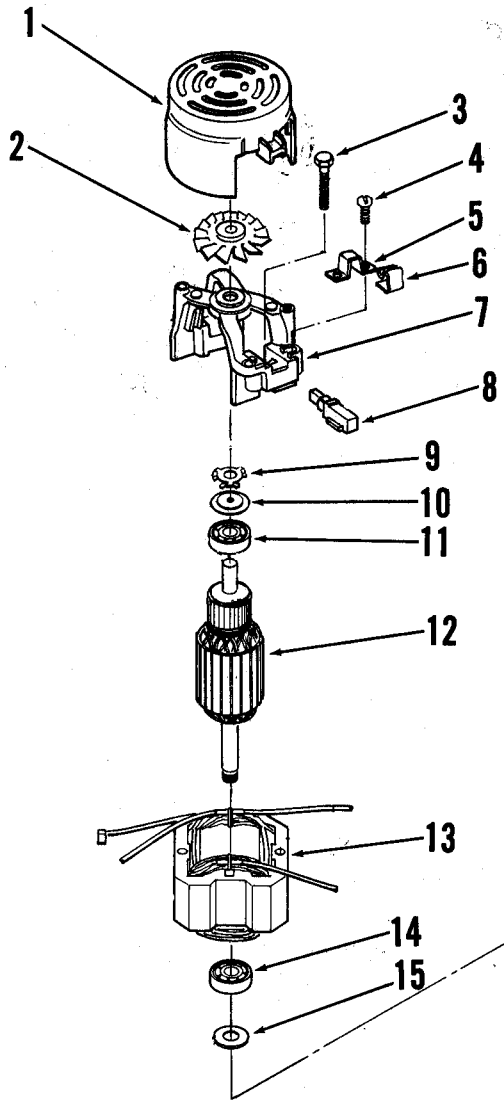
## BRUSH DRIVE ASSEMBLY

ITEM	PART NO	QTY	DESCRIPTION
1		2	SCREW, HEX HD. 5/16-24 x 1/2
2	363 972	1	CABLE ASSEMBLY
3	456 458	1	CABLE ASSEMBLY
4		2	WASHER, FLAT 5/16
5	386 988	2	STANDOFF
6		3	SCREW, PAN HD. #10-24 x 1/2
7	760 212	2	GROMMET
8	016 704	1	DECAL
9	386 691	1	COVER, MOTOR BRACKET
10		3	SCREW, FLAT HD. #10-24 x 1 1/2
11	180 032	1	FILTER
12	180 008	1	BRACKET, MOTOR
13	200 915	1	GASKET RS 1/4 x 7/8 x 2.36 FT.
14	207 489	3	BUSHING .25 x .37 x .93
15	364 026	SET	BRUSH, MOTOR (1 SET OF 2)
16	180 146	2	SPRING, NEGATOR
17	364 024	1	MOTOR 18-24-36V D.C.
18	331 076	2	COLLAR, LOCKING
19		2	SCREW, SET #10-24 x 3/8
20	471 103	2	SPRING, COMPRESSION
21		2	WASHER, FLAT 3/8
22	364 382	2	ROD, STABILIZER
23	364 448	5	SHIM
24	364 540	1	PLATE, CENTERING
25		7	WASHER, SHAKEPROOF 1/4
26		4	SCREW, HEX HD. 1/4-20 x 3/4
27	364 402	1	PLATE
28	365 030	1	BUSHING .50 x .62 x .27
29		3	NUT, HEX 1/4-20
30	364 044	1	HOLDER ASSEMBLY C/O
31		3	SCREW, HEX HD. #10-24 x 3/8 MP-5
32	366 455	1	STOP, PLATE
33	364 042	1	HOLDER, BRUSH
34	361 321	1	CATCH, BULLET
35	151 114	1	WASHER
36	366 463	1	RETAINER, SPRING
37	180 200	1	WASHER, .34 x 1.00 x .12
38		1	WASHER, LOCK 5/16
39	180 196	1	SCREW, SOC. HD. 5/16-24 x 1.00
40	364 578	1	PIPE WELDMENT
41		1	WASHER, SHAKEPROOF #10
42		1	SCREW, HEX HD. #10-24 x 1/2
43	364 520	1	FRAME, MOTOR
44	740 168	1	KEY, SQUARE .187 x 1.00
45	206 784	2	BUSHING .25 x .37 x .25
46		2	SCREW, HEX HD. 1/4-20 x 3/8
47	367 192	1	WASHER .752 x 1.2 x .12
48		2	NUT, HEX 1/2 - 13
49	364 458	1	ROD
50		2	SCREW, HEX HD. 3/8-16 x 1 3/8
51		2	WASHER, SHAKEPROOF 3/8
52	366 625	2	BUSHING, FLANGE
53	366 633	2	BEARING, SLEEVE
54	366 617	1	YOKE, RIGHT HAND
55	364 428	1	ROD
56	366 609	1	YOKE, LEFT HAND
57	364 420	1	BRACKET, PIVOT
58	367 214	6	WASHER
59	360 627	3	BUSHING
60	370 878	1	BUSHING
61		4	SCREW, HEX HD. 1/2-13 x 1"
62		3	WASHER, SHAKEPROOF 1/2
63	367 206	1	BUSHING
64	364 470	1	LIFTER
65	365 088	2	BUSHING .31 x .43 x .50
66		2	SCREW, HEX HD. 5/16-18 x 3/4
67	016 934	1	DECAL, "LOCK-RUN"
68		2	SCREW, PAN HD. #6-32 x 1" W/WASHER
69	388 019	1	SWITCH, SNAP SPST NC
70	385 747	1	PLATE, NUT
71	364 486	2	FLAT
72	151 092	3	BUSHING
73	364 286	1	BRACKET, LOCK
74		1	SCREW, HEX HD. #10-24 x 1/2 HP-5 W/LW
75		1	SCREW, PHILLIPS PAN HD. #10-24 x 1" T.C.S. W/LW





ITEM	PART NO	QTY	DESCRIPTION	ITEM	PART NO	QTY	DESCRIPTION
1	372 673	8	BOOT, BATTERY POST	31	364 101	1	CASE, BATTERY
2	363 928	3	CABLE, BATTERY	32	468 358	2	SWITCH, SOLENOID 24V
3	372 730	4	BATTERY 6 VOLT 220 A.H. (OPTIONAL)	33		4	SCREW, HEX HD. 1/4-20 x 5/8 HP-5
	371 238	4	BATTERY 6 VOLT 180 A.H. (OPTIONAL)	34		2	NUT, HEX 1/4-20
	371 246	4	BATTERY 6 VOLT 140 A.H. (OPTIONAL)	35	150 274	2	STUD, 1/4-20 x 7/8
4	374 905	1	TRAY, BATTERY	36		2	WASHER, LOCK 1/4
5		1	SCREW, HEX HD. 1/4-20 x 5/8	37	016 704	1	DECAL, POSITIVE
6		1	WASHER, SHAKEPROOF 1/4	38	468 858	2	STANDOFF, INSULATED
7	150 142	2	WASHER	39	016 700	1	DECAL, NEGATIVE
8	379 298	1	BUSHING	40	171 535	1	BREAKER, CIRCUIT 17A
9	364 506	1	HANDLE	41	364 280	1	BREAKER, CIRCUIT 40 AMP
10	364 210	1	METER, VOLT DC	42	456 458	1	CABLE ASSEMBLY, NEGATIVE
11	372 972	1	CHARGER PLUG ASSEMBLY	43	363 979	1	CABLE ASSEMBLY, POSITIVE
12		2	SCREW, RD. HD. 1/4-20 x 1-1/4 W/NUT	44	361 674	1	HINGE (NOT SHOWN)
13	054 192	1	DECAL, CHARGER	45	385 414	1	NUT PLATE, HINGE (NOT SHOWN)
14	365 157	1	PLATE, STOP	46	364 030	1	MOTOR, BRUSH DRIVE
15		6	SCREW #10-24 x 1/2 HP-5	47	171 225	1	SWITCH, SNAP SPST NC
16	364 130	1	COVER	48	364 154	1	WIRE ASSEMBLY #14 x 11.00
17	385 437	1	GASKET	49	386 236	1	WIRE ASSEMBLY #6 x 12
18	384 898	1	FILTER	50	364 170	1	CABLE ASSEMBLY #6 x 10.5
19	202 305	1	MOTOR, VAC	51	364 158	1	WIRE ASSEMBLY #14 x 8
20	209 325	1	GASKET	52	364 172	1	CABLE ASSEMBLY #6 x 6.5
21	387 422	1	FILTER	53	364 156	1	WIRE ASSEMBLY #14 x 4.5
22	364 128	1	MOUNT, VAC MOTOR	54	364 206	1	CABLE ASSEMBLY #6 x 12
23	209 519	4	SCREW, SS #10-24	55	395 412	1	WIRE ASSEMBLY #14 x 4.0
24	364 188	1	TUBE	56	755 590	1	WIRE ASSEMBLY #14 X 5.0
25	756 364	1	CLAMP, HOSE SAE #4	57	388 019	1	SWITCH, SNAP SPST N.C.
26	387 020	1	ELBOW	58	364 142	1	WIRE ASSEMBLY #14 X 13
27	219 932	1	CLAMP, HOSE SAE #6	59	016 932	1	DECAL, WIRING
28		5	NUT, HEX #10-24	60	364 130	1	COVER, DUST
29	442 003	1	CLAMP, CABLE .677	61	370 347	1	SWITCH, TOGGLE SPST
30	454 618	1	HOSE				



ITEM	PART NO	QTY	DESCRIPTION	ITEM	PART NO	QTY	DESCRIPTION
1	208 110	1	HOUSING	22	203 516	1	SPACER
2	203 591	1	FAN	23	203 394	1	FAN, STATIONARY
3	372 574	2	SCREW	24	372 588	1	FAN, ROTATING
4	372 570	5	SCREW	25	203 408	1	SHELL
5	207 285	2	CLAMP	26	203 432	1	WASHER
6	202 302	2	CLIP	27	203 440	1	NUT
7	207 234	1	BRACKET, COMMUTATOR END				
8	372 572	2	BRUSH				
9	202 843	1	SPRING, LOAD				
10	249 735	1	DISC				
11	203 587	1	BEARING				
12	372 590	1	ARMATURE				
13	208 280	1	FIELD				
14	228 051	1	BEARING				
15	203 461	1	WASHER				
16	372 578	1	BRACKET, FAN END				
17	372 580	1	VALVE, CHECK				
18	372 582	1	SHELL, AIR SEAL				
19	372 584	1	SPACER				
20	372 586	1	FAN				
21	372 588	1	FAN, ROTATING				

